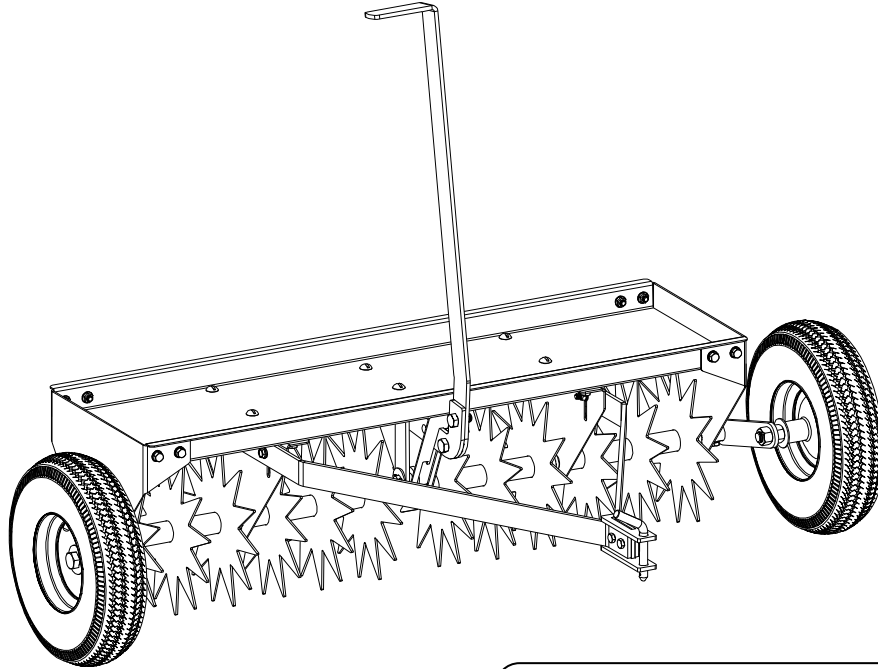


# OWNER'S MANUAL

## Model: SPK-42 (5301531) (42" Tow-Behind Spike Aerator)



### General Information

Thank you for purchasing this product. The purpose of this manual is to assist you in operating and maintaining your spike aerator.

**BEFORE RETURNING THIS PRODUCT  
FOR ANY REASON, PLEASE CALL**

**1-800-831-0027**

MONDAY-FRIDAY, 8:00 AM TO 5:00 PM CST

If you should have a question or experience a problem with your Fimco Industries Product: Visit our website @ [www.fimcoindustries.com](http://www.fimcoindustries.com) or call the Toll free number above. Our technical support representatives will be happy to help you.

In most cases a customer service rep. can resolve the problem over the phone.

To obtain prompt, efficient service, always remember to give the following information....

- Correct Part Description and/or part number
- Model number and Serial Number

Part descriptions and numbers can be obtained from the illustrated parts list section(s) of this manual.

**Retain a copy of your receipt for your unit, as it will be required to validate any warranty service.**

**Warranted against manufacturer or workmanship defects from date of purchase with copy of receipt:**

**Homeowner Usage: One Year.**

**Commercial Usage: 90 Days.**



### NOTE:

Recommended Speed - 3 - 5 MPH

Maximum Weight - 175 Lbs.

Refer to vehicle's manual for towing instructions.



**WARNING:** To reduce the risk of injury, the user must read and understand the operator's manual before using this product.



**WARNING:** Cancer and Reproductive Harm.

[www.P65Warnings.ca.gov](http://www.P65Warnings.ca.gov)



[www.fimcoindustries.com](http://www.fimcoindustries.com)

1000 FIMCO Lane, P.O. Box 1700, North Sioux City, SD 57049

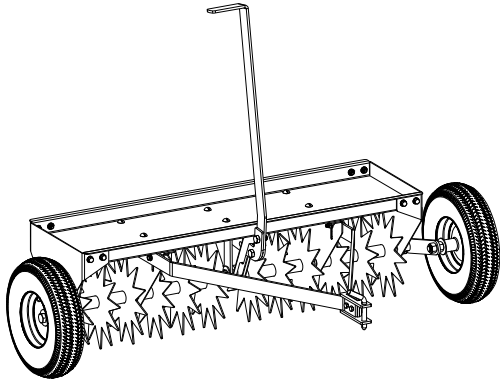
Toll Free Phone: 800-831-0027 : Toll Free Fax: 800-494-0440

[5004757

(11/22)]

## Contents

Technical Specifications .....	2	Exploded Parts View and Parts List .....	4
Spike Aerator Information .....	2	Dimensions .....	5
Assembly .....	3	Warranty .....	6
Operation .....	3		



## Model: SPK-42 (5301531) (42" Tow-Behind Spike Aerator)

### Technical Specifications:

- Steel Deck
- Holds up to 175 Lbs.
- Penetration Depth: Up to 2.5 Inches
- Twelve 10" Spike Wheels
- Height adjustable
- Easy to access transport lever

## WARNING



**Read and Understand** the Owner's Manual completely before using this attachment. Assemble, test and use in accordance to manual instructions.

**Exercise Caution** in vehicle handling when using this attachment to avoid loss of control or overturning.

**Do Not** allow anyone to ride on or sit with you and/or ride or sit on attachment when operating. Failure to comply could result in severe injury or damage.

**Keep children, bystanders and pets** at a safe distance away while operating this or any attachment.

**Do Not** exceed 5 MPH. Towing speed should always be slow enough to maintain control. Best operating speed: 3 MPH.

**Do Not** attempt to aerate if ground is too wet or muddy.

**Avoid** holes, rocks and roots.

**Do Not** cross over walks or drives without first raising the aerator to the transport position.

**Slow down** before you turn and do not turn sharply. Use wide angle turns to ensure attachment follows path of towing vehicle.

**Always operate** up and down a slope, never across the face of a slope.

**Slow down** and use extra care on hillsides. Turf conditions can affect vehicle stability.

**Keep all movement on slopes** slow and gradual. Do not make sudden changes in speed, directions or turning.

**Stop on level ground**, disengage drives, set the parking brake and shut off engine before leaving the operator's position for any reason, including adjusting the attachment.

**Keep all parts** in good condition and properly installed. Fix damaged parts immediately.

**Do Not** modify attachment.

**Always handle with care** as this aerator has sharp knife points and always wear substantial footwear when operating.

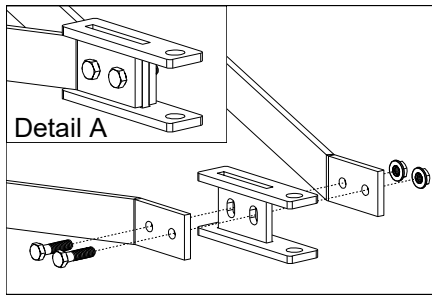
**Caution should be taken** when towing and/or using any attachment. This attachment combined with the weight distribution, turning radius and speed of towing vehicle can result in severe injury or death, damage to towing vehicle and/or attachment, if not used properly.

### Spike Aerator Information

Advantages: aerating, good for loose soil, does not create deep holes. Spike aerating is a good method even though holes produced are shallow. As grass seeds will settle when sowing on sloping surfaces, this is useful if you intend to overseed. Spike aerator helps air circulation and good water absorption. The dense matting of grass, as well as constant foot traffic cause soil to become dense, making it harder for air, nutrients and water to reach the roots of your lawn. Aerating allows water, fertilizer and air to permeate the soil and reach the roots. Benefits of aeration: soil absorbs more water, reduces soil compaction, thatch breaks down easier, lawn is more resistant to heat and drought stress, oxygen uptake of soil increases, stronger root development, fertilizer and nutrients in soil are more easily used by grass and water runoff decreases significantly. As a general rule, aerating once per year is a good idea, typically around the same time each year.

Spike aerator has been mostly assembled at the factory for your convenience. It has been packaged "inverted" in the box. Remove the parts to the unit from the carton. Refer to the exploded view and parts list to help identify the parts and follow instructions below for assembly.

Place the frame on a flat surface, leaving the unit "inverted". This will be the best position for the tongue attachment procedure.



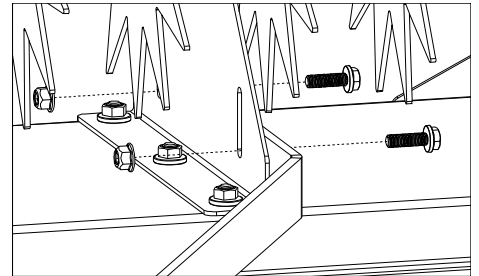
### 3 Easy Steps to Attach Tongue and Handle to Unit

#### Step 1 - Tongue & Hitch Attachment:

The tongue bars will be located under the inverted unit. Remove (2) locknuts, (2) bolts and clevis hitch from the parts bag.

Assemble the tongue to the hitch clevis with hex bolts and whiz nuts.

Detail A: Tongue bars assembled to hitch clevis.



#### Step 2 - Tongue Attachment to Unit:

Assemble the tongue from Step 1 to the unit with (4) hex bolts and whiz nuts, as shown.

Attach one side, but do not tighten bolts and nuts.

Repeat for other side.

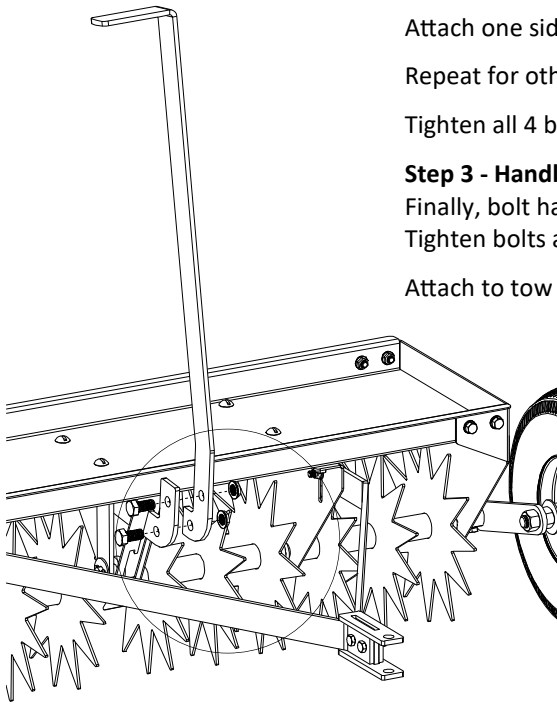
Tighten all 4 bolts and nuts.

#### Step 3 - Handle Attachment:

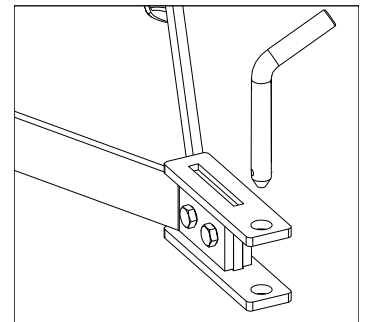
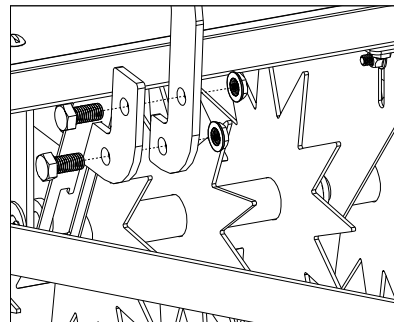
Finally, bolt handle to the handle mount plate, using (2) bolts and lock-nuts.

Tighten bolts and nuts.

Attach to tow vehicle and secure with clevis pin.



### Unit is now ready to use.



### Operation

Aerating produces holes in the ground that allows water, fertilizer and air to permeate the soil and reach the roots. It is recommended that the lawn be mowed and clippings removed prior to aerating. Water the ground as necessary. This will soften up the soil for the aerator to penetrate the ground easier.

Spike aerator should be attached to tow vehicle or tractor on a level surface and the wheels should be in the lowered position (handle in the locked position).

The best operating speed is 3 MPH or less..

Once you are ready to use your aerator, use a low gear and then disengage the wheels by moving the handle out of the locked position. Once you start moving, the spikes will be forced into the ground. Speed should only be increased as ground conditions permit. Aeration should be done in a straight line.

Lawn aeration is not accomplished in a single pass. Spike aerator should be run over the lawn two or three times, alternating the direction by 90 degrees, which will improve the aeration effect

**Caution:** Do not turn sharply as this may damage the ground. The top tray provides a place for you to put weights. More weight will allow the tines to penetrate the ground deeper. Maximum weight is approx. 175 lbs.. Do not pull your aerator over hard surfaces with the wheels disengaged! This will damage the spikes.

Lubricate wheels and oil the spool assemblies and shafts as needed. Coat exposed metal with light oil to prevent rust.

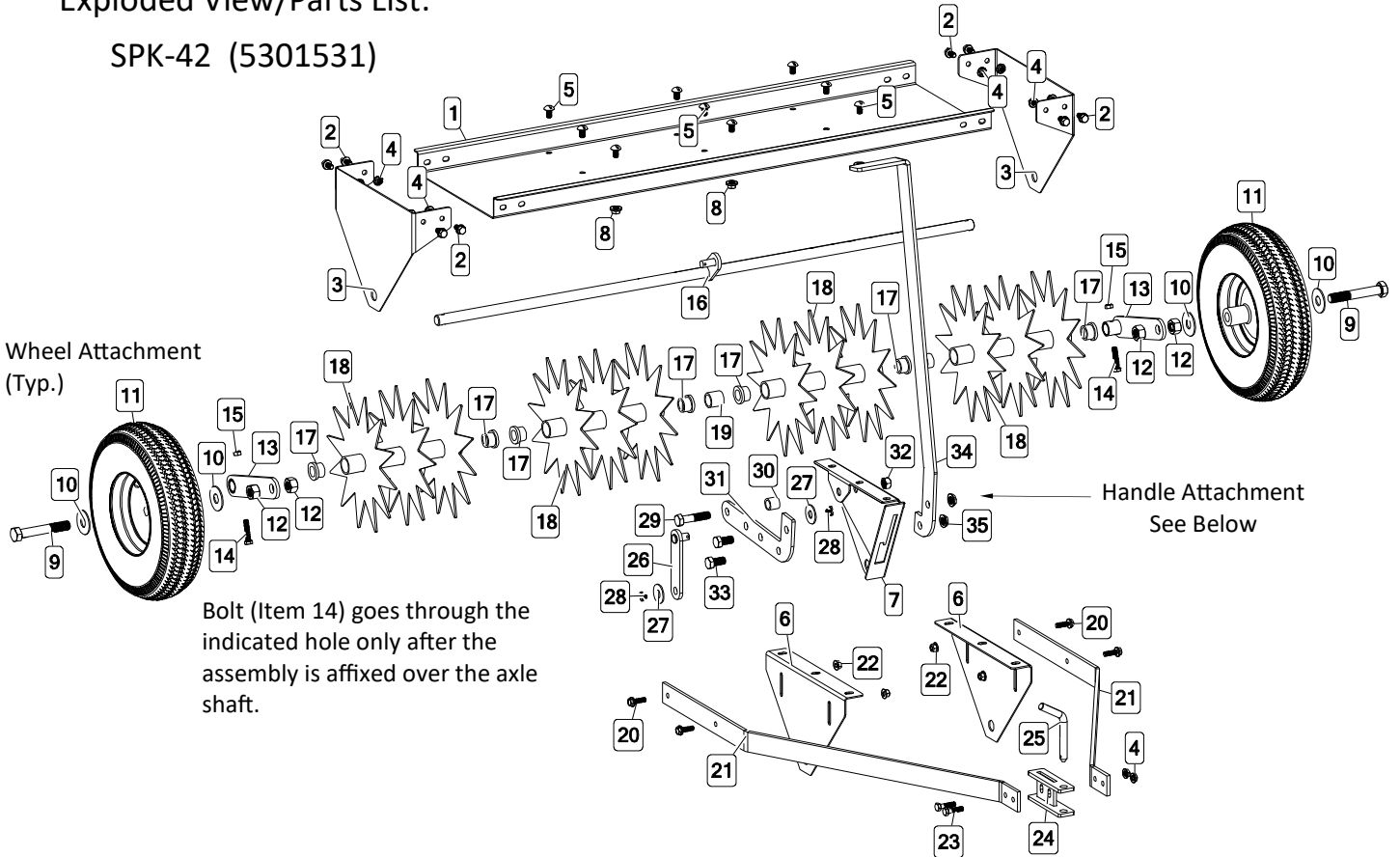
Clean dirt off of aerator after each use and store in a dry area. **Be careful of sharp edges when cleaning.**

Proper care and maintenance will prolong the life of your attachment.

**Caution - Danger:** Spikes are sharp and can cause injury, store with plugs facing the wall or ground.

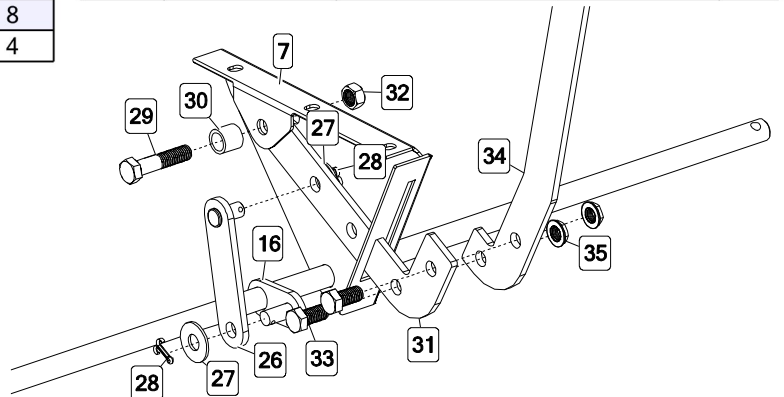
# Exploded View/Parts List:

## SPK-42 (5301531)

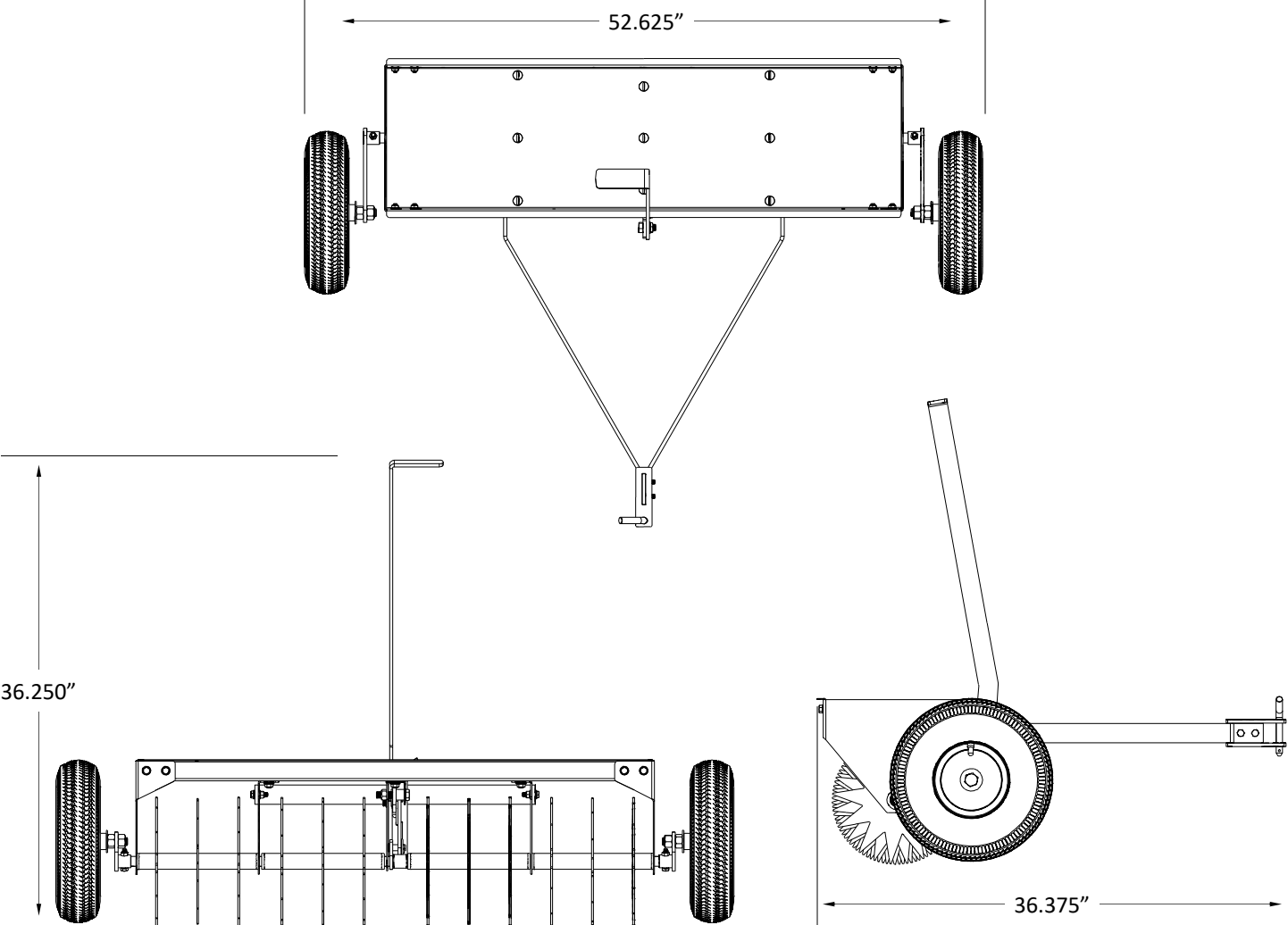


Ref. #	Part #	Description	Qty
1	5017976-BLK	Top Plate	1
2	5034634	5/16-18 x 0.625 Fling Hex Bolt	8
3	5017975-BLK	End Plate	2
4	5006307	5/16-18 Serrated Fling Hex Nut	10
5	5117311	3/8-16 x 0.625 Round Head Screw	9
6	5017973-BLK	Center Plate	2
7	5017974-BLK	Center Lock Plate	1
8	5006259	3/8-16 Serrated Fling Hex Nut	9
9	5034217	5/8-11 x 4.00 Hex Bolt	2
10	5016053	5/8 x 1.75" OD Flat Washer	4
11	5021092	4.10/3.50-4 Wheel (White)	2
11.1	5031175	5/8" Wheel Bearing	2
12	5006096	5/8-11 Hex Nut	4
13	5277962-BLK	Wheel Mount Weldment	2
14	5034069	5/16-18 x 1.50 Hex Bolt	2
15	5006035	5/16-18 Top-Lock Hex Nut	2
16	5275472-BLK	Axle Shaft to Pivot Link Weldment	1
17	5041156	Bronze Bushing	8
18	5275475-BLK	Tine Weldment	4

Ref. #	Part #	Description	Qty
19	5041157-BLK	Take-Up Bushing	1
20	5117300	5/16-18 x 1.00 Fling Hex Bolt	4
21	5028308-RED	Tongue Bar Half (Spiker)	2
22	5006389	5/16-18 Fling Top-Lock Hex Nut	4
23	5034076	5/16-18 x 1.25 Hex Bolt	2
24	5275285-RED	Bolt-On Hitch Weldment	1
25	5101202	Bent Clevis Pin (1/2" Dia.)	1
26	5275432-BLK	Link to Clevis Pin Weldment	1
27	5016031	1/2 x 1.375" OD Flat Washer	2
28	5101077	Cotter Pin, 1/8" x 1"	2
29	5034308	1/2-13 x 2.25 Hex Bolt	1
30	5127212-BLK	Axle Spacer	1
31	5017977-RED	Handle Mount Plate	1
32	5006091	1/2-13 Top-Lock Hex Nut	1
33	5034018	1/2-13 x 1.00 Hex Bolt	2
34	5078202-RED	Aerator Handle	1
35	5006337	1/2-13 Serrated Fling Hex Nut	2



Approx. Dimensions:



# Warranty

## LIMITED WARRANTY FOR NEW FIMCO, IND. EQUIPMENT

**WHO MAY USE THIS LIMITED WARRANTY.** This limited warranty (the "Limited Warranty") is provided by Fimco, Ind. to the original purchaser ("you") of the Equipment (as defined below) from Fimco, Ind. or one of Fimco, Ind.'s authorized dealers. This Limited Warranty does not apply to any subsequent owner or other transferee of the Equipment. THIS LIMITED WARRANTY GIVES YOU SPECIFIC LEGAL RIGHTS, AND YOU MAY ALSO HAVE OTHER RIGHTS WHICH VARY FROM STATE TO STATE.

**WHAT THIS LIMITED WARRANTY COVERS AND FOR HOW LONG.** Fimco, Ind. warrants that any new Equipment will be free from defects in material and workmanship for a period of **one (1) year** (homeowner), **90 days** (commercial user), after delivery of the Equipment to you (the "Warranty Period"). The Warranty Period is not extended if Fimco, Ind. repairs or replaces the Equipment.

**WHAT IS NOT COVERED BY THIS LIMITED WARRANTY.** This Limited Warranty does not apply to: (1) used Equipment; (2) any Equipment that has been altered, changed, repaired or treated since its delivery to you, other than by Fimco, Ind. or its authorized dealers; (3) damage or depreciation due to normal wear and tear; (4) defects or damage due to failure to follow Fimco, Ind.'s operator's manual, specifications or other written instructions, or improper storage, operation, maintenance, application or installation of parts; (5) defects or damage due to misuse, accident or neglect, "acts of God" or other events beyond Fimco, Ind.'s reasonable control; (6) accessories, attachments, tools or parts that were not manufactured by Fimco, Ind., whether or not sold or operated with the Equipment; or (7) rubber parts, such as tires, hoses and grommets.

**HOW TO OBTAIN WARRANTY SERVICE.** To obtain warranty service under this Limited Warranty, you must (1) provide written notice to Fimco of the defect during the Warranty Period and within **thirty (30)** days after the defect becomes apparent or the repair becomes necessary, at the following address: Fimco, 1000 Fimco Lane, North Sioux City, SD 57049; and (2) make the Equipment available to Fimco or an authorized dealer within a reasonable period of time. For more information about this Limited Warranty, please call: **800-831-0027**

**WHAT REMEDIES ARE AVAILABLE UNDER THIS LIMITED WARRANTY.** If the conditions set forth above are fulfilled and the Equipment or any part thereof is found to be defective, Fimco, Ind. shall, at its own cost, and at its option, either repair or replace the defective Equipment or part. Fimco, Ind. will pay for shipping and handling fees to return the repaired or replacement Equipment or part to you.

**LIMITATION OF IMPLIED WARRANTIES AND OTHER REMEDIES.** THE REMEDIES DESCRIBED ABOVE ARE YOUR SOLE AND EXCLUSIVE REMEDIES, AND FIMCO, IND.'S SOLE LIABILITY, FOR ANY BREACH OF THIS LIMITED WARRANTY. TO THE EXTENT APPLICABLE, ANY IMPLIED WARRANTIES, INCLUDING, WITHOUT LIMITATION, THE IMPLIED WARRANTIES OF MERCHANTABILITY AND FITNESS FOR A PARTICULAR PURPOSE, SHALL BE LIMITED IN DURATION TO THE WARRANTY PERIOD, AND THE REMEDIES AVAILABLE FOR BREACH THEREOF SHALL BE LIMITED TO THE REMEDIES AVAILABLE UNDER THIS EXPRESS LIMITED WARRANTY. SOME STATES DO NOT ALLOW LIMITATIONS ON HOW LONG AN IMPLIED WARRANTY LASTS, SO THE ABOVE LIMITATION MAY NOT APPLY TO YOU. IN NO EVENT SHALL FIMCO, IND.'S LIABILITY UNDER THIS LIMITED WARRANTY EXCEED THE ACTUAL AMOUNT PAID BY YOU FOR THE DEFECTIVE EQUIPMENT, NOR SHALL FIMCO, IND. BE LIABLE, UNDER ANY CIRCUMSTANCES, FOR ANY CONSEQUENTIAL, INCIDENTAL, SPECIAL OR PUNITIVE DAMAGES OR LOSSES, WHETHER DIRECT OR INDIRECT. SOME STATES DO NOT ALLOW THE EXCLUSION OR LIMITATION OF INCIDENTAL OR CONSEQUENTIAL DAMAGES, SO THE ABOVE LIMITATION OR EXCLUSION MAY NOT APPLY TO YOU.