

OWNER'S MANUAL

Model: PB-300ELTS-BL (5301657)

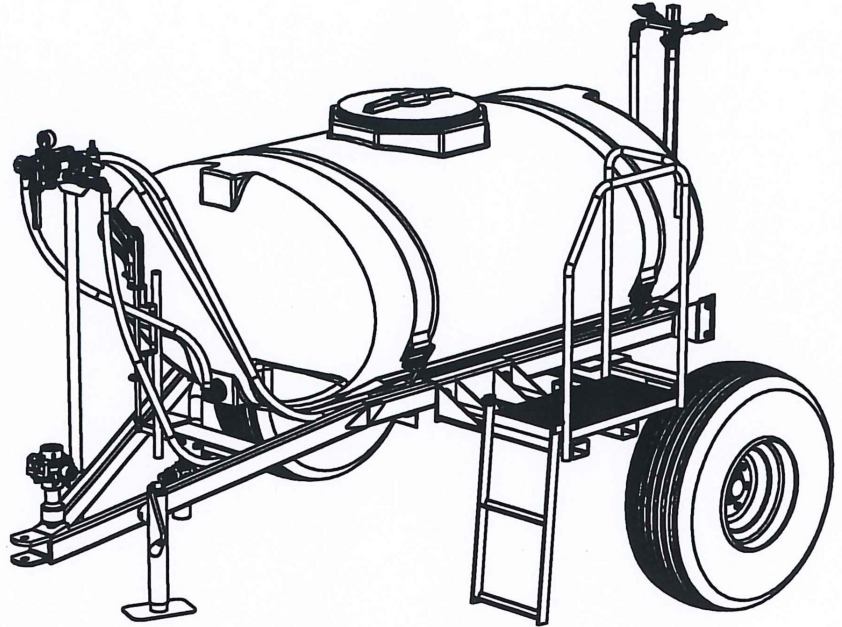
(300 Gallon Trailer "Pasture Blaster" Sprayer w/Boomless "Boom Buster" Nozzles)

Technical Specifications

- 300 Gallon Polyethylene Tank
- 8-Roller Cast Iron Pump w/Coupler
- Tank Agitator
- Pressure Relief Valve
- 9.5 L - 15 (8-Ply) Tires
- Adjustable Axles
- Parking Stand

Caution: When fully filled with water, this sprayer will weigh approx. 3,310 lbs..

Consult the owner's manual for your vehicle to verify that you are within it's load towing capacity.



Assembly

The sprayer is mostly assembled at the factory. Any misc. assembly needed can be referenced with the detail views later in this owner's manual.

Do not exceed recommended pressure on pump or sprayer, as it may cause hoses to burst and will shorten pump life.

Information About the Sprayer

Roller pumps are positive displacement pumps, which means that the entire solution being pumped must go somewhere or the pump will break. In this roller pumping system, solution is drawn from the tank and forced to a planned source, such as boom nozzles or handgun. The pressure is controlled by a pressure relief valve, which is a spring-loaded device that controls the amount of fluid bypassed (recirculated) to the tank. The gray handle is to be tightened to increase pressure and loosened to decrease pressure. The 'directo-valve' is the on/off control which allows the operator to manually control the solution going to the boom.

BEFORE RETURNING THIS PRODUCT
FOR ANY REASON, PLEASE CALL
1-800-831-0027

IF YOU SHOULD HAVE A QUESTION OR
EXPERIENCE A PROBLEM WITH YOUR
FIMCO INDUSTRIES PRODUCT:
1-800-831-0027

BEFORE YOU CALL, PLEASE HAVE THE
FOLLOWING INFORMATION AVAILABLE:
SALES RECEIPT & MODEL NUMBER. IN MOST
CASES, A FIMCO INDUSTRIES EMPLOYEE CAN
RESOLVE THE PROBLEM OVER THE PHONE.

General Information

Thank you for purchasing this product. The purpose of this manual is to assist you in operating and maintaining your Trailer Sprayer.



WARNING: To reduce the risk of injury, the user must read and understand the operator's manual before using this product.



WARNING: Cancer and Reproductive Harm
www.P65Warnings.ca.gov

Retain a copy of your receipt for your unit, as it will be required to validate any warranty service
Products are warranted against manufacturer or workmanship defects for one year from date of purchase for home owner usage and 90 days for commercial usage.

For technical assistance, visit our website @ www.fimcoindustries.com or call: **TOLL FREE @ 1-800-831-0027**

Our Technical Support Representatives will be happy to help you.

To obtain prompt, efficient service, always remember to give the following information...

- Correct Part Description and/or part number
- Model #/Serial # of your sprayer

Part descriptions and numbers can be obtained from the illustrated parts list section(s) of this manual.



www.fimcoindustries.com

1000 FIMCO Lane, P.O. Box 1700, North Sioux City, SD 57049
Toll Free Phone: 800-831-0027 : Toll Free Fax: 800-494-0440

[5008047

(12/18)]

IMPORTANT: Remove tank lid and be sure the tank is clean and free of any foreign material. Rinse tank out of any tank residue before filling with water to test.

Testing the Sprayer

NOTE:

It is important that you test your sprayer for leakage and proper spray patterns with plain water before chemical application is attempted. This will also give you the opportunity to familiarize yourself with the operation of the sprayer, without the possibility of losing any expensive chemicals.

1. Open the valve at the strainer assembly and allow water to flow to the pump. The valve is located at this point to provide the means for the strainer to be taken apart for cleaning. The valve can be shut off to prevent solution in the tank from escaping while cleaning the strainer.

CAUTION: Always be sure that the water (or solution) has reached the pump before starting your sprayer. If the pump is allowed to run dry, serious damage to the pump will result.

2. It is always best to start the sprayer at little or no pressure. This sprayer is equipped with a spring loaded relief valve. Turn the valve knob out to decrease pressure and in for increased pressure. The location of the relief valve and other important components may be found by referring to the exploded view drawings later in this manual.
3. The tee valve in the pressure line allows "Off-On" control of fluid flow to the boom nozzles.
4. You may now start the PTO. Turn the tee valve to the "on" position. Let the sprayer run at low pressure until water has reached the boom nozzles and all air has been purged from the boom lines.
5. The pressure should now be increased to 30-40 PSI. Operate the sprayer at this increased pressure for 3-5 minutes, thoroughly testing the unit before adding chemicals. Check carefully for leaks.
6. See tip chart in this manual for optimal performance of the boomless tips.

Operating the Sprayer

1. Test the sprayer with plain water before adding chemicals to the tank.
2. DO NOT EXCEED recommended speed, pressure and temperature for the sprayer and pump.
3. High pressure spray can cause serious bodily injury. Handle with care. Grasp gun firmly before starting to spray. During spraying operation, hold gun firmly.
4. DO NOT put hands or fingers in front of the gun or point the gun at your body or anyone else.
5. Before working on, servicing or making adjustments to equipment, make sure all moving parts have stopped and all pressure in the system is relieved.
6. Perform periodic cleaning, maintenance and inspection of fittings and hoses for operator safety. Replace any fittings or hoses that are shown to have defects.
7. DO NOT use sprayer for pumping water or other liquid for human or animal consumption.
8. If equipment is used in freezing or near freezing conditions, protect pump and plumbing on sprayer from freezing. Drain liquid from system and add antifreeze.

Maintenance During/After Spraying

Periodically close the suction line valve and check the strainer and clean the screen.

Proper care and maintenance will prolong the life of your sprayer.

After use, fill the sprayer tank part way with water. Start the sprayer and allow the clear water to be pumped through the plumbing system and out through the spray nozzles. Refill the tank about half full with plain water and use FIMCO Tank Neutralizer and Cleaner and repeat cleaning instructions above (If no tank cleaner is available, you may substitute dish soap for this step, about 1-2 oz. per gallon). Flush the entire sprayer with the neutralizing/cleaning agent, then flush out one more time with plain water. Follow the chemical manufacturer's disposal instructions of all wash or rinsing water. For the boom (if applicable) remove the tips and screens from the nozzle assemblies.

Wash these items out thoroughly. Blow the orifice clean and dry. If the orifice remains clogged, clean it with a fine bristle (NOT WIRE) brush or with a toothpick. Do not damage the orifice. Water rinse and dry the tips before storing.

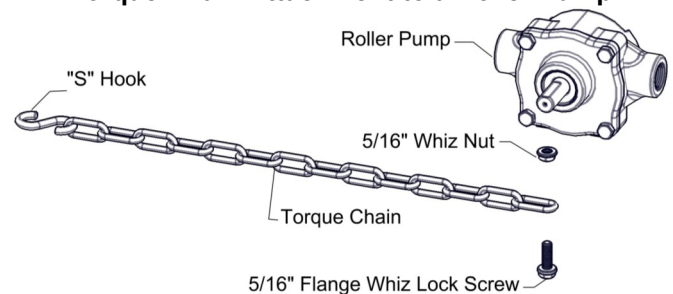
WARNING: Some chemicals will damage the pump valves if allowed to soak untreated for a length of time! ALWAYS flush the pump as instructed after each use. DO NOT allow chemicals to sit in the pump for extended times of idleness. Follow the chemical manufacturer's instructions on disposal of all waste water from the sprayer.

Winter Storage

Drain all water out of your sprayer, paying special attention to the pump, handgun and valve(s). These items are especially prone to damage from chemicals and freezing weather.

The sprayer should be winterized before storage by pumping a solution of automotive antifreeze (containing a rust inhibitor) through the entire plumbing system. This antifreeze solution should remain in the plumbing system during the winter months. When spring time comes and you are preparing your sprayer for the spray season, rinse the entire plumbing system out, clearing the lines of the antifreeze solution. Proper care and maintenance will prolong the life of your sprayer.

Torque Chain Attachment to a Roller Pump



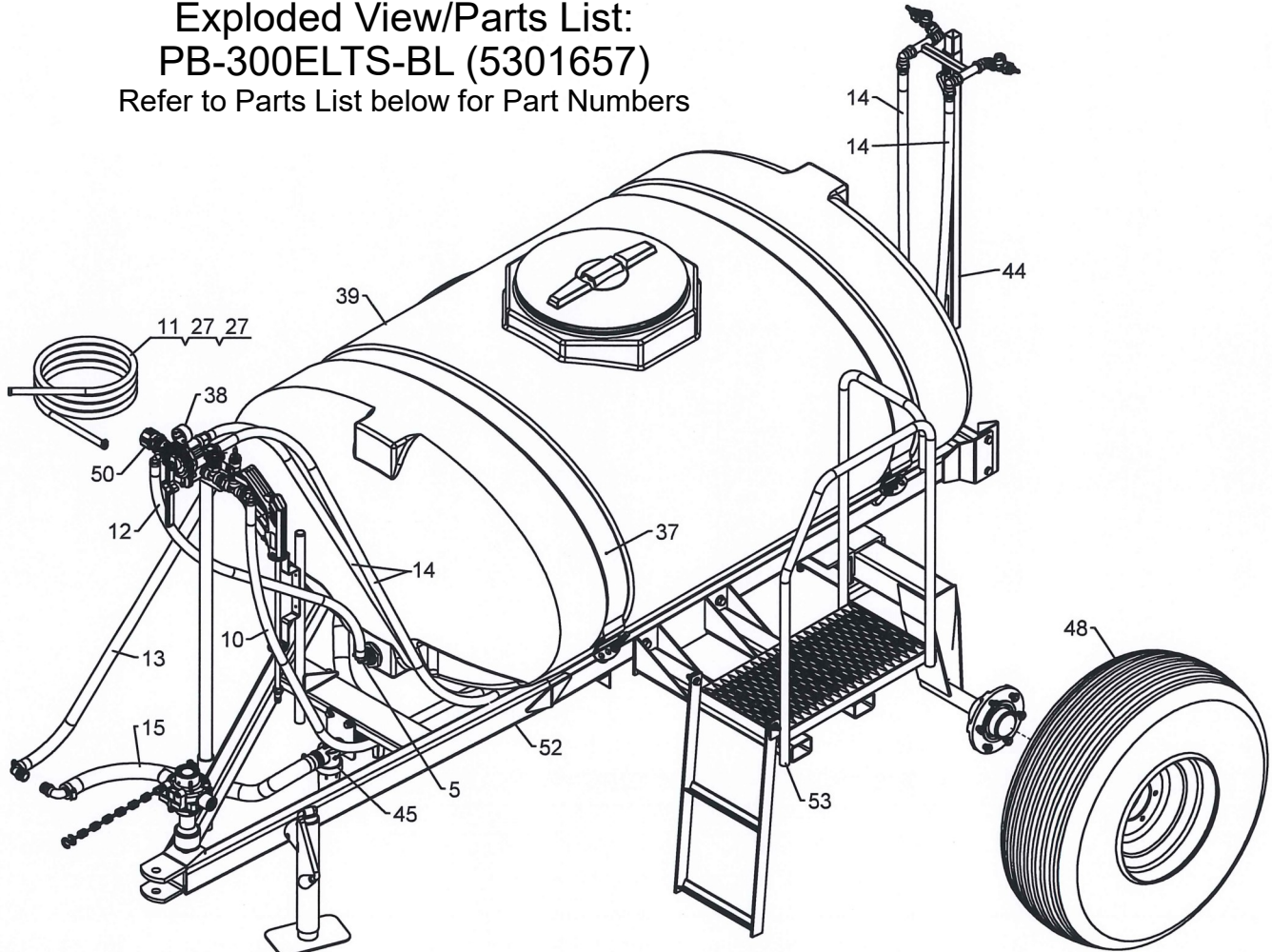
A torque chain, 'S' hook, nut and bolt are included in this assembly to secure your pump during operation.

1. Attach one end of the torque chain over the threaded stem of the bolt
2. Thread the whiz nut onto the bolt. Hand-tighten
3. Thread the bolt, chain and nut 'pre-assembly' into the threaded hole on the underside of the pump. Tighten sufficiently
4. Affix the 'S' Hook to your frame (or hitch). Wrap the chain around the frame or hitch and 'S-Hook' it in place. Make sure this connection is very secure! Not having a good, tight connection may result in the pump spinning on your PTO shaft and damaging some components of your sprayer

*** Insure that this connection point will not allow the roller pump to spin on the PTO shaft ***

Exploded View/Parts List: PB-300ELTS-BL (5301657)

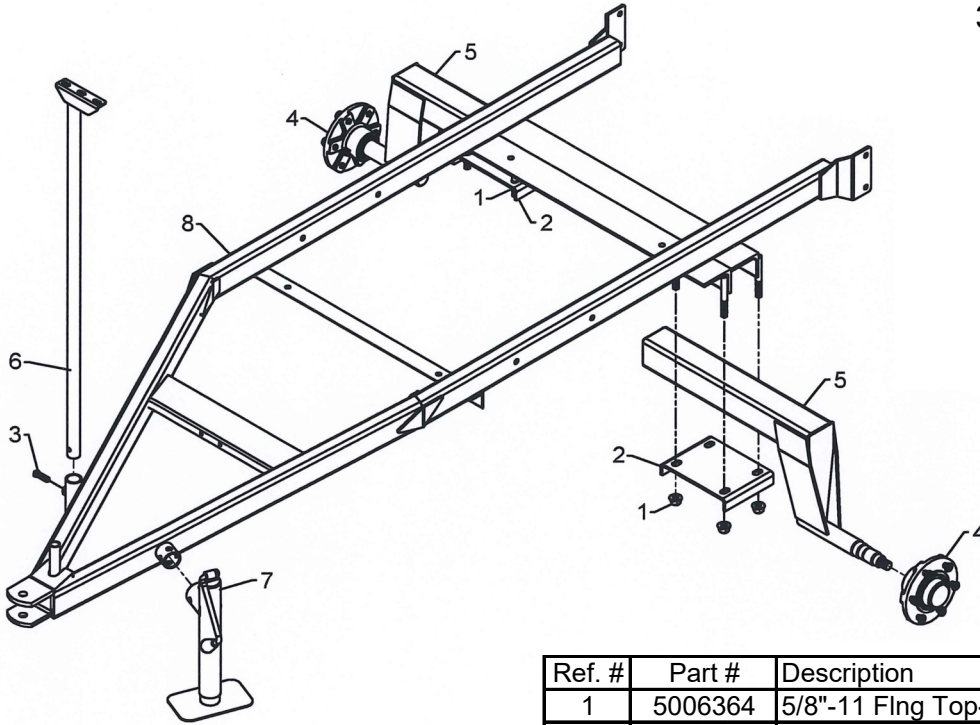
Refer to Parts List below for Part Numbers



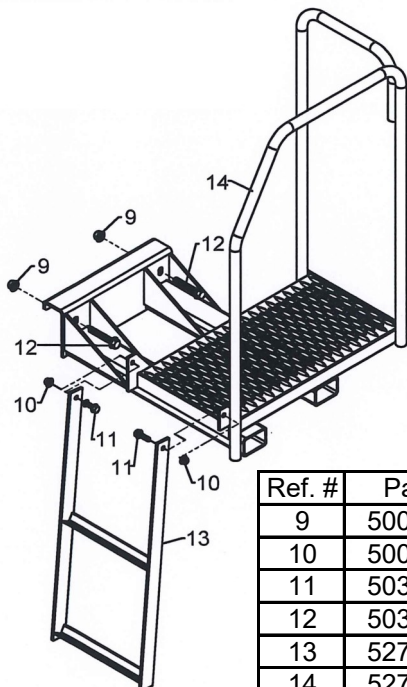
Ref. #	Part #	Description	Qty.
1	5002380	QJ Diaphragm Check Valve (1/4" MPT)	2
2	5006259	3/8"-16nc Hex Flanged Whiz Nut, Grade 5	10
3	5006307	5/16"-18nc Hex Flanged Whiz Nut, Grade 5	1
4	5006337	1/2"-13 Hex Whiz (Flange) Locknut	12
5	5010207	Poly Elbow, 3/4" MPT x 1/2" HB	2
6	5010209	Poly Elbow, 3/4" MPT x 3/4" HB	1
7	5010210	Poly Elbow, 3/4" MPT x 1" HB	1
8	5010215	Poly Elbow, 1-1/4" MPT x 1" HB	1
9	5018349	Blue Boom Extender Tip (FC-XT020)	2
10	5020097	Hose, 1/2"-1 Brd. x 84"	1
11	5020099	Hose, 3/8"-2 Brd. x 25"	1
12	5020122	Hose, 1/2"-1 Brd. x 48"	1
13	5020179	Hose, 3/4"-2 Brd. x 72"	1
14	5020197	Hose, 1/2"-1 Brd. x 13'	2
15	5020338	Hose, 1"-2 Brd. x 36"	1
16	5020487	Hose, 1"-2 Brd. x 42"	1
17	5034019	H.H.C.S. 1/2"-13nc x 1-1/4"	4
18	5034099	3/8"-16 x 3/4" Hex Bolt	1
19	5034111	1/2" x 6" J-Hook Bolt	4
20	5034188	Square U-Bolt, 3/8" Dia. x 2-1/8" x 2-7/8"	2
21	5034691	H.H.C.S. 1/2"-13 x 1-1/4"	4
22	5046123	3/4" Wide Flanged Caplug Tapered (Black)	1
23	5049017	Torque Chain, 24"	1
24	5051024	Hose Clamp, 3/4"	2
25	5051025	Hose Clamp, 1"	4
26	5051114	Hose Clamp, 1/2"	8
27	5051144	Hose Clamp, 3/8"	2
28	5057146	Quick Coupler	1
29	5067118	Poly Fitting, 1" MPT x 1" HB	1
30	5075014	Rubber Grommet (Black)	2
31	5082006	"S" Hook	1
32	5102071	Poly Pipe Plug, 3/4" MPT	1
33	5108112	Tank Strap Buckle, Bent	4

Ref. #	Part #	Description	Qty.
34	5116019	50 Mesh Nozzle Strainer, Blue	2
35	5117300	H.H.C.S. Flanged 5/16"-18nc x 1"	1
36	5117307	H.H.C.S. Flanged 3/8"-16nc x 1"	6
37	5133274	Tank Strap, 3" x 84"	2
38	5167005	Gauge, 0-400 PSI (Dry)	1
39	5169166	300 Gallon Elliptical Tank (Yellow)	1
39.1	63485	16" Tank Lid & Ring w/Blue Snap in Vent	1
39.1.1	60012	16" Tank Lid Ring ONLY	1
40	5271077	8-Roller Cast Iron Pump (7560C)	1
41	5273183	Saddle Weldment	1
42	5273305	Hose & Handgun Holder Weldment	1
43	5273959	Deluxe Pistol Grip Handgun w/X-26 Tip	1
44	5274476	Boom Buster Bracket Weldment	1
45	5274765	Strainer Sub-Assembly	1
46	5274772	Outer Telescoping Bracket Weldment	1
47	5274773	Inner Telescoping Bracket Weldment	1
48	5274968	Tire, 9.5L-15 (8-Ply)	2
49	5275782	Boom Buster Sub-Assembly	1
49.1	5010236	Poly Elbow, 1/2" FPT x 1/2" FPT	4
49.2	5274477	Adjustable Slide Weldment	1
49.3	5067131	Poly Fitting, 1/2" MPT x 1/2" HB	2
49.4	5117259	Handle Screw	1
49.5	5041073	Poly Reducing Bushing, 1/2" MPT x 1/4" FPT	2
50	5275791	TeeValve Assembly	1
51	5275792	812 Agitator Sub-Assembly	1
51.1	5011164	Banjo 3/4" x 4" Poly Pipe Nipple	1
51.2	5010251	Poly Coupler, 3/4" FPT	1
51.3	5041078	Poly Reducing Bushing, 3/4" MPT x 1/2" FPT	1
51.4	5010258	Poly Tee Fitting, 1/2" MPT	1
51.5	5014005	Tank Agitator, 1/2" FPT In, 3/4" MPT Out	2
52	5300364	353-LP Trailer Bundle	1
53	5300633	Filling Platform Assembly (FP-4)	1

353-LP Trailer Bundle
(5300364)

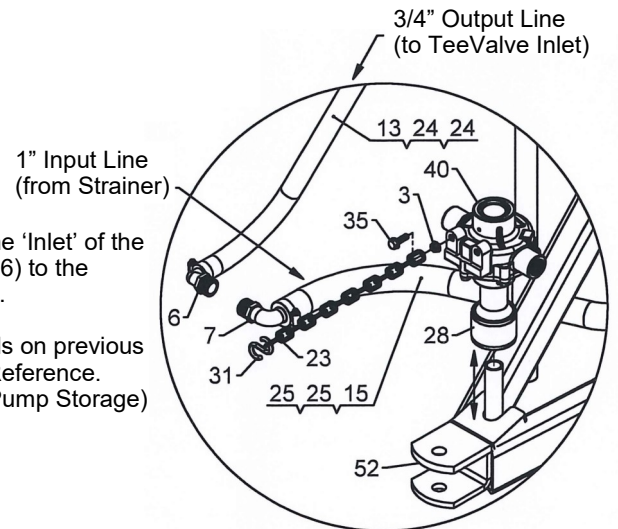


Ref. #	Part #	Description	Qty.
1	5006364	5/8"-11 Flng Top-Lock Hex Nut	8
2	5051092	Axle Clamp	2
3	5117104	1/2"-13 x 1-1/2" Square Head Set Screw	1
4	5271840	6-Bolt Hub Assembly	2
5	5272171	Axle Weldment	2
6	5272407	Valve Stand Weldment	1
7	5273965	Jack, 10" Top Wind, Tubular	1
8	5277940	Frame Weldment	1



Filling Platform
(5300633)

Ref. #	Part #	Description	Qty.
9	5006365	1/2-13nc Hex Flanged Toplock Nut, Grade 8	2
10	5006366	3/8-16nc Hex Flanged Toplock Nut, Grade 8	2
11	5034595	H.H.C.S. Flanged 3/8"-16nc x 1-1/4"	2
12	5034698	H.H.C.S. Flanged 1/2"-13nc x 3"	2
13	5273152	Step Ladder	1
14	5273156	Filling Platform	1

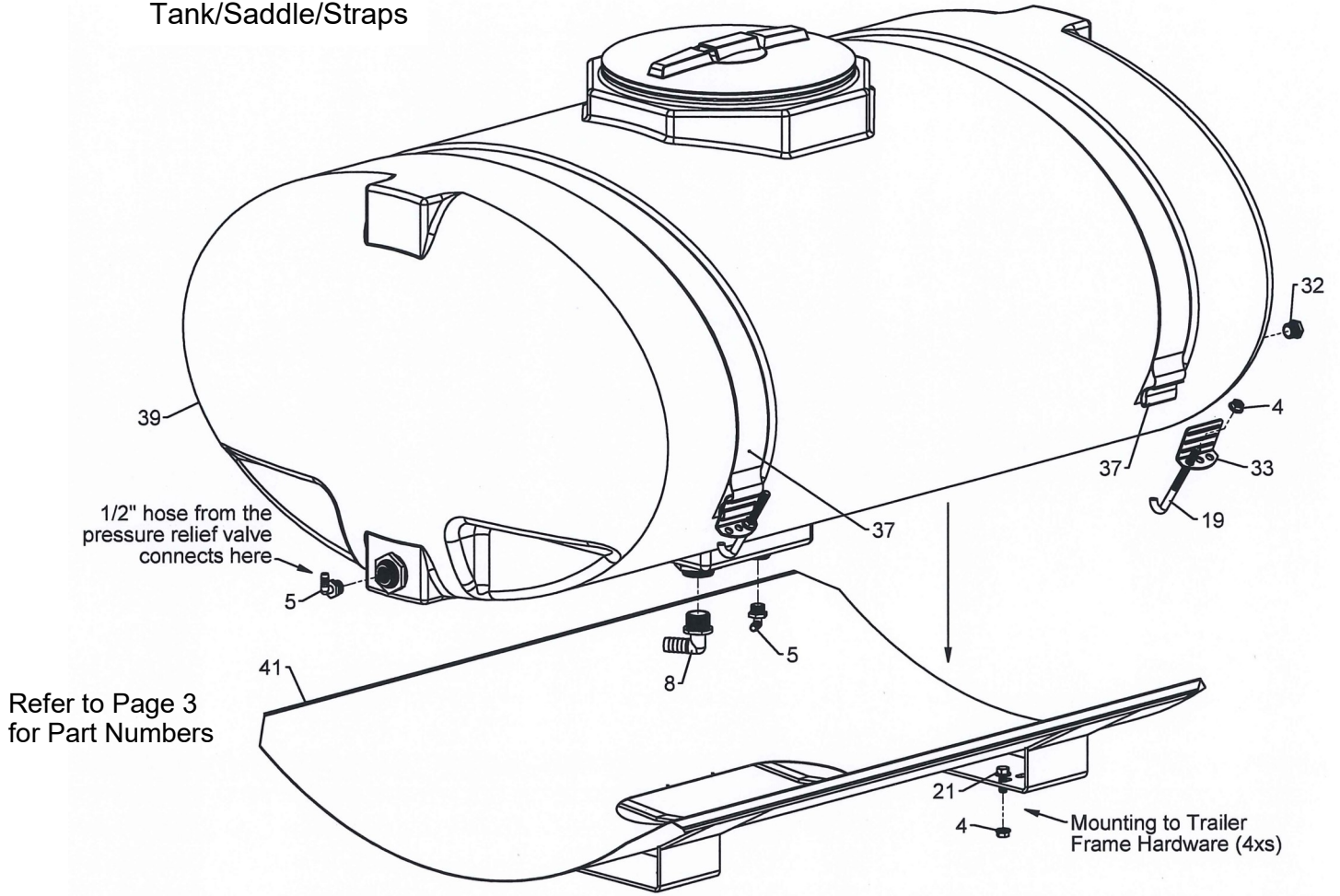


DETAIL Pump Storage

Plumb Elbow (Item 7) to the 'Inlet' of the Roller Pump. Plumb (Item 6) to the 'Outlet' of the Roller Pump.

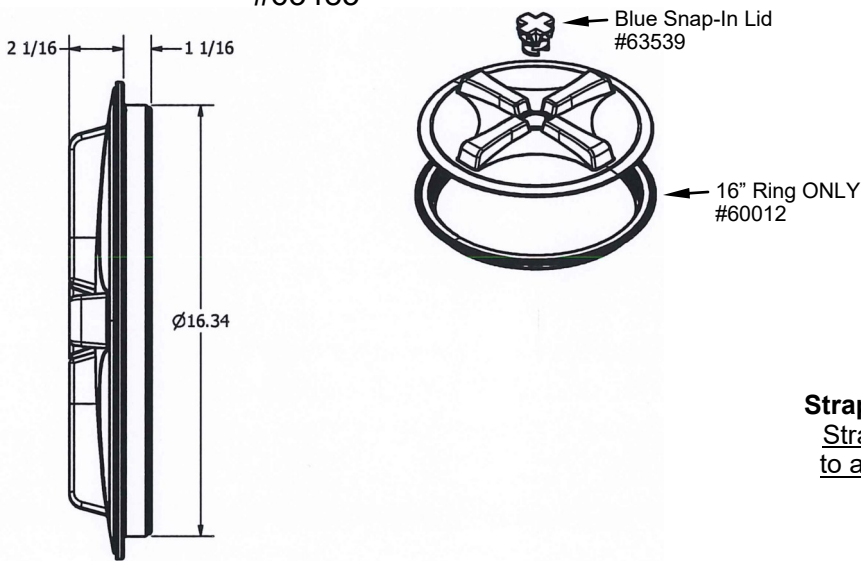
Refer to the Bill of Materials on previous page for Item # to Part # Reference.
(DETAIL Pump Storage)

Tank/Saddle/Straps

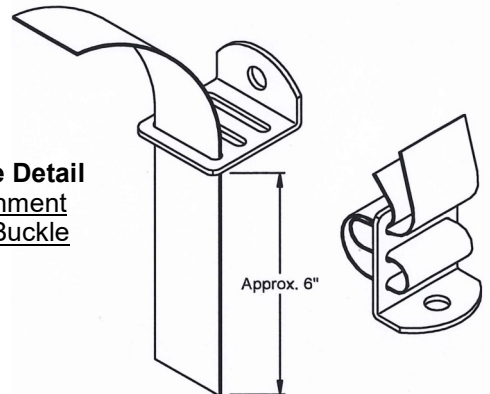


Refer to Page 3
for Part Numbers

16" Tank Lid & Ring w/Blue Snap-In Vent #63485

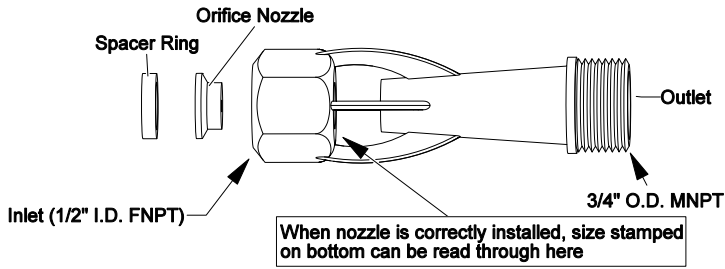


Strap/Buckle Detail Strap Attachment to a "Bent" Buckle

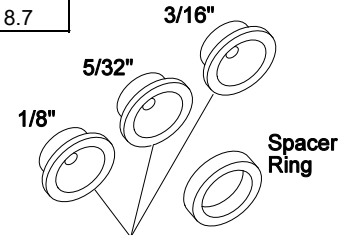


The nylon straps are to be inserted in and out of the slots in the buckle, as shown. Be sure the straps are snug before tightening the hook bolts. In most cases, it will be necessary to re-tighten the straps after filling the tank with liquid.

#5014005 Agitator Information



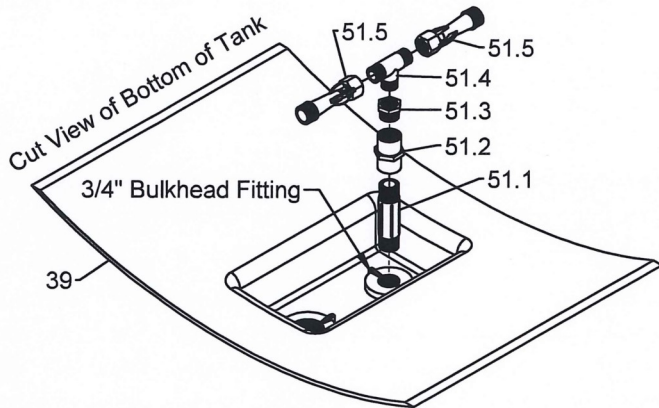
Orifice	P.S.I.	Inlet Flow (G.P.M.)	Outlet Flow (G.P.M.)
1/8"	50.0	2.7	10.0
1/8"	100.0	3.8	15.0
5/32"	50.0	4.2	12.2
5/32"	100.0	5.5	17.5
3/16"	50.0	5.6	14.3
3/16"	100.0	7.9	18.7



Interchangeable Nozzles to Achieve Proper Agitation

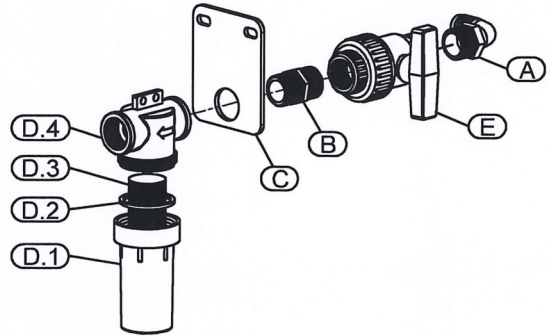
The jet agitator is assembled as shown above. Note that the tapered end of nozzle is inserted first. For agitation use, agitator must be rigidly installed to mounting pipe and weighted down sufficiently to prevent whipping around in tank..

Agitator Detail Inside of Tank



Refer to Page 3 for Part Numbers

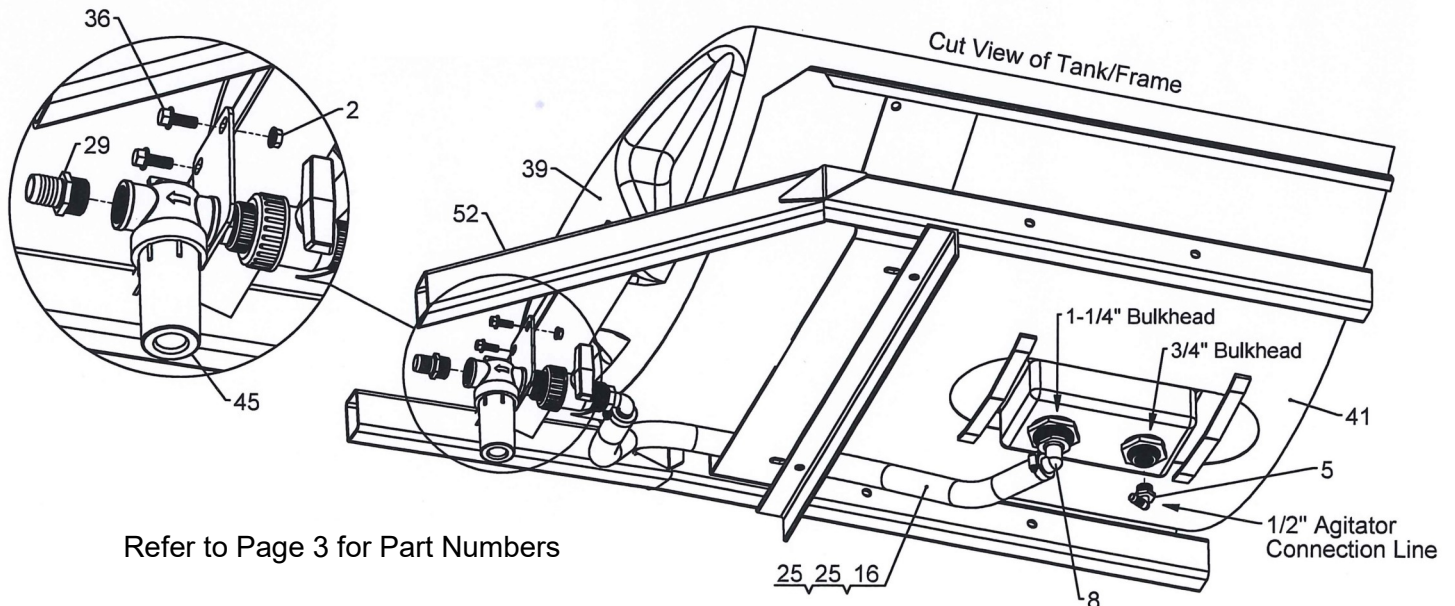
Strainer Sub-Assembly #5274765



Ref. #	Part #	Description	Qty.
A	5010213	Poly Elbow, 1" MPT x 1" HB	1
B	5011141	Poly Close Nipple, 1" MPT	1
C	5038247	Strainer Bracket	1
D	5116441	1" Nylon Strainer (Black, 40 Mesh)	1
D.1	5058075	Strainer Bowl	1
D.2	5072229	Strainer EPDM Gasket	1
D.3	5116180	Strainer Screen (40 Mesh)	1
D.4	**	Strainer Cap	1
E	5143207	1" Single Union Ball Valve	1

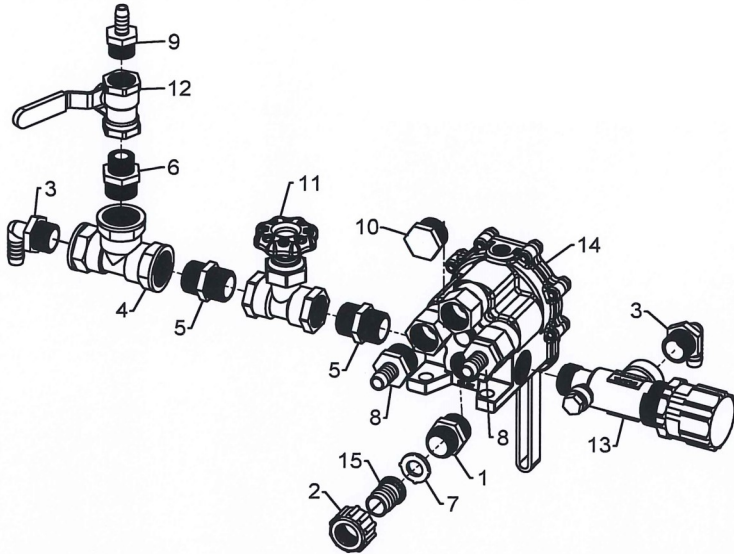
** Available ONLY in Complete Assembly

Strainer/Intake Under Tank

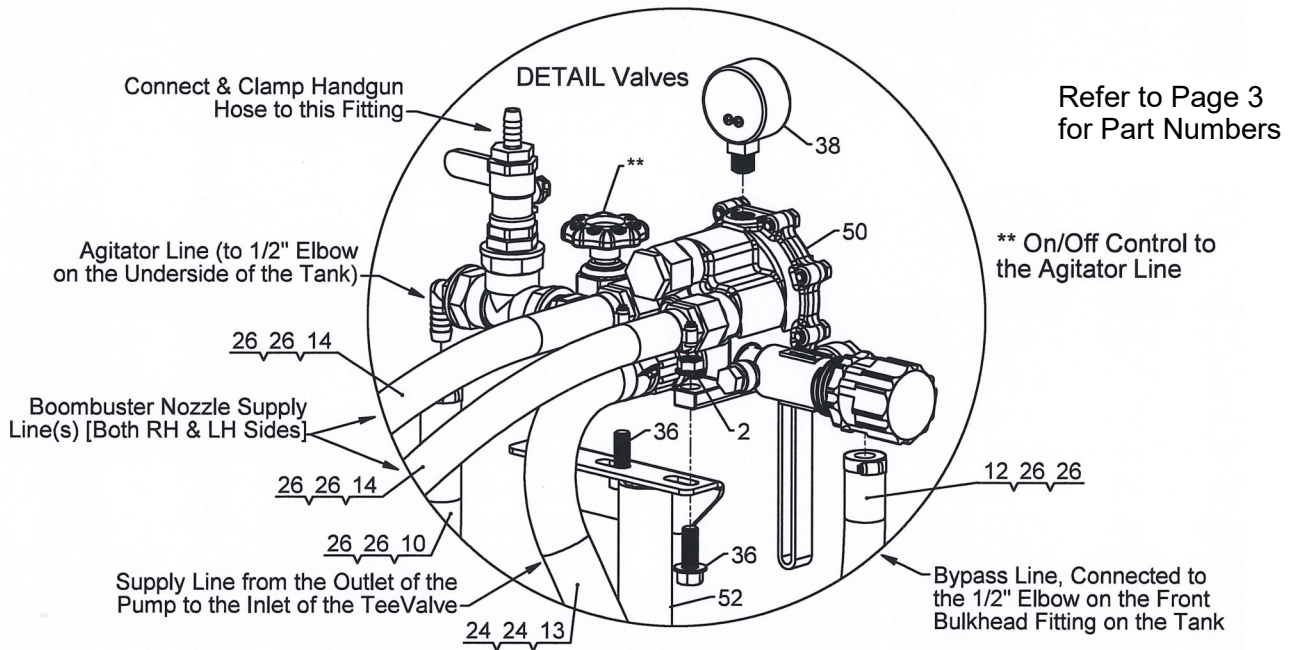


Refer to Page 3 for Part Numbers

TeeValve Sub-Assembly (5275791)

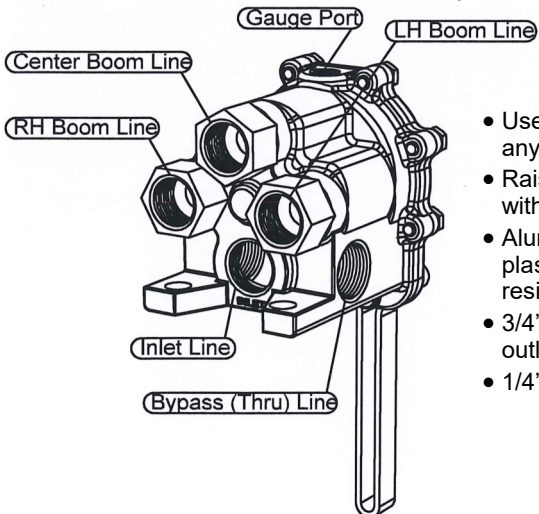


Ref. #	Part #	Description	Qty.
1	5005196	Poly Adapter, 3/4" MNPT x 3/4" MGHT	1
2	5006209	Poly Knurled Nut, 3/4" FGHT	1
3	5010207	Poly Elbow, 3/4" MPT x 1/2" HB	2
4	5010231	Poly Tee, 3/4" FNPT	1
5	5011140	Poly Close Nipple, 3/4" MPT	2
6	5011147	Poly Reducing Nipple, 3/4" MPT x 1/2" MPT	1
7	5016066	Garden Hose Washer	1
8	5067125	Poly Fitting, 3/4" MPT x 1/2" HB	2
9	5067130	Poly Fitting, 1/2" MNPT x 3/8" HB	1
10	5102071	Poly Pipe Plug, 3/4" MPT	1
11	5143123	Valve Celcon Globe, 3/4"	1
12	5143197	1/2" T-800 Brass Ball Valve	1
13	5143199	Pressure Relief Valve (3/4" NPT)	1
14	5143295	TeeValve Assembly (AA-17L)	1
15	5149037	Poly Swivel, 3/4" Flat Seat Hose Barb	1

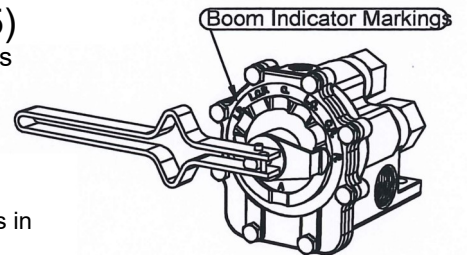


TeeValve Control Valve Model: AA17L (5143295)

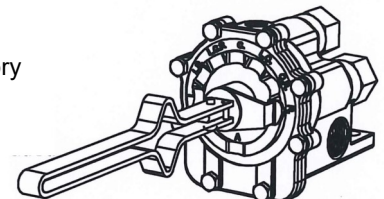
Model AA17L, used for selective control of 3-section boom sprayers at pressures up to 300 PSI.



- Use to open any of three boom sections lines in any desired combination.
- Raise lever to open, lower lever to close the valve without changing the indexed position.
- Aluminum construction with stainless steel and plastic internal parts for maximum corrosion resistance.
- 3/4" NPT Inlet/Outlet, 3 boom outlet and accessory outlet.
- 1/4" NPT Gauge Port

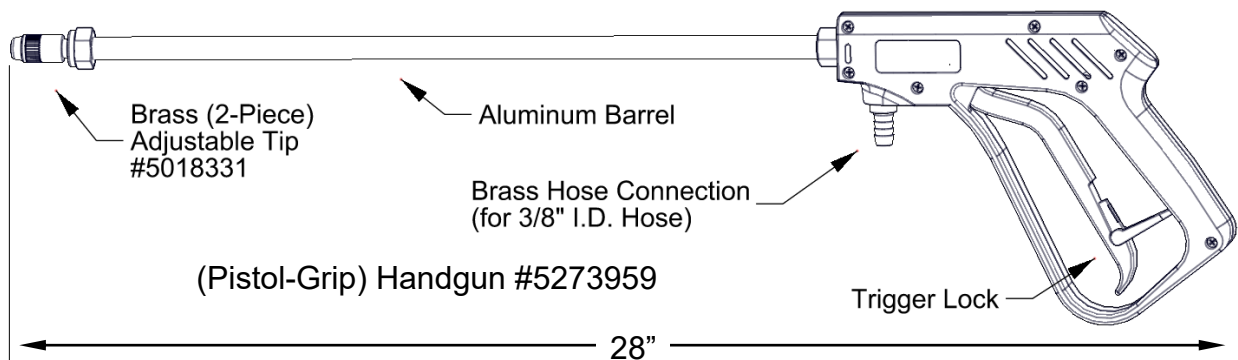
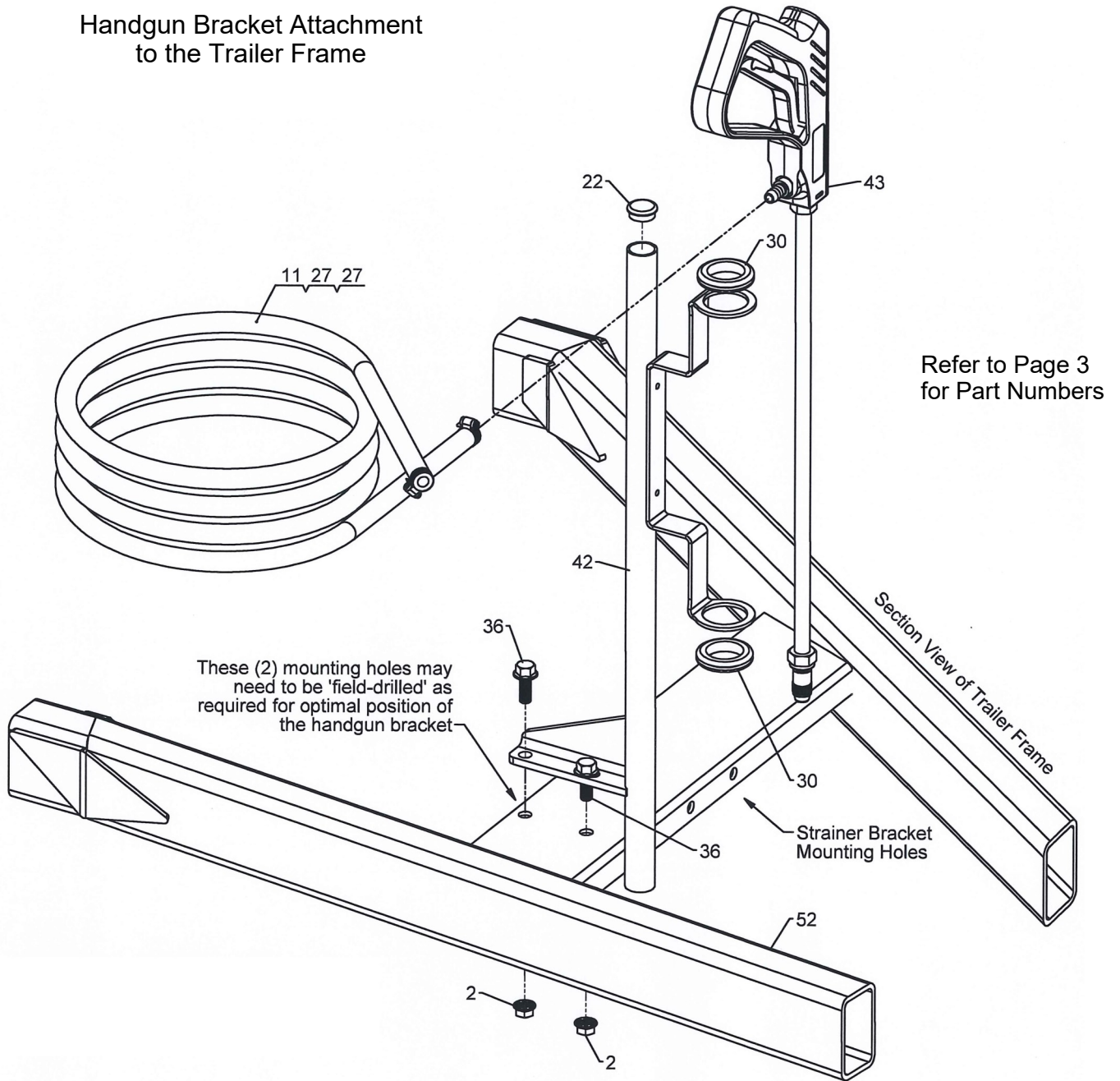


RH boom is 'selected'

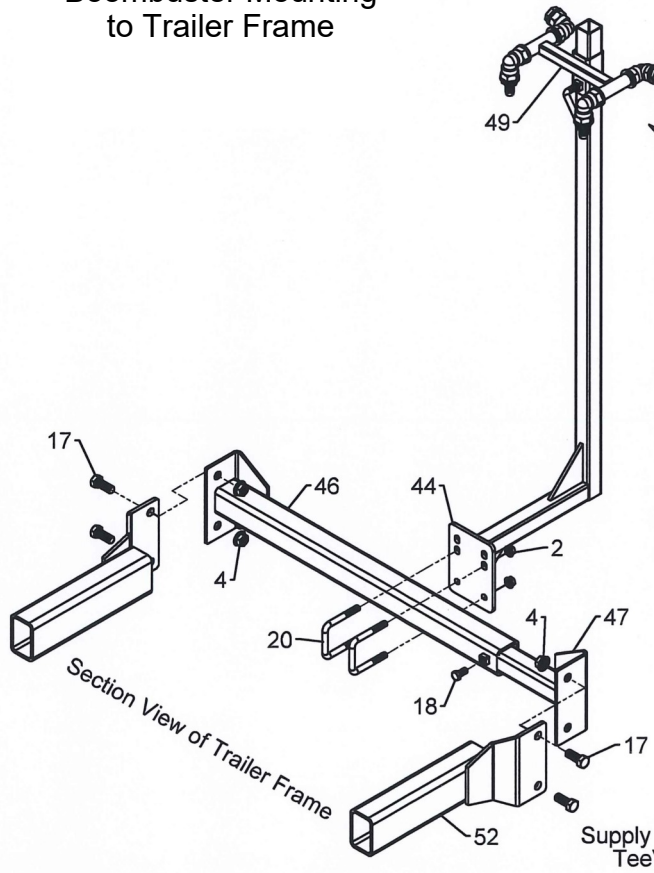


RH boom is 'activated'

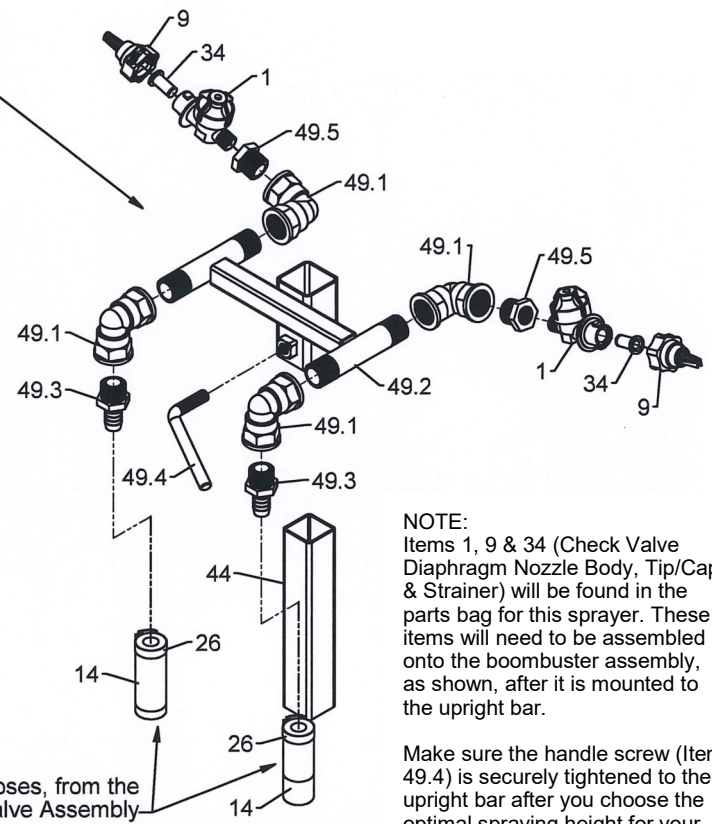
Handgun Bracket Attachment to the Trailer Frame



Boombuster Mounting to Trailer Frame



Boombuster Nozzle Assembly (w/Tips)



NOTE:
 Items 1, 9 & 34 (Check Valve Diaphragm Nozzle Body, Tip/Cap & Strainer) will be found in the parts bag for this sprayer. These items will need to be assembled onto the boombuster assembly, as shown, after it is mounted to the upright bar.

Make sure the handle screw (Item 49.4) is securely tightened to the upright bar after you choose the optimal spraying height for your tips.

Refer to Page 3 for part numbers.

Boomless spray nozzles are great for rough terrains, road side spraying, fence rows and other areas that are difficult to apply with a traditional boom.

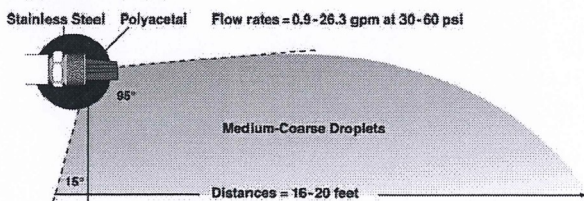
BROADCAST & TURF APPLICATIONS				Gallons per Acre												GAL/1000 Sq. Ft.				Swath Width (Ft) @ 40 PSI
Thread	XT Model	PSI	GPM	MPH												MPH				
				4	5	6	7	8	10	12	14	16	18	20	2	3	4	5		
1/4" MNPT	XT010 GREEN	30	0.9	7.0	5.6	4.6	4.0	3.5	2.8	2.3	2.0	1.7	1.5	1.4	0.32	0.21	0.16	0.13	16	
		40	1.0	7.7	6.2	5.2	4.4	3.9	3.1	2.6	2.2	1.9	1.7	1.5	0.36	0.24	0.18	0.14		
		50	1.1	8.8	6.8	5.7	4.9	4.3	3.4	2.8	2.4	2.1	1.9	1.7	0.39	0.26	0.20	0.16		
		60	1.2	9.3	7.4	6.2	5.3	4.6	3.7	3.1	2.7	2.3	2.1	1.9	0.43	0.28	0.21	0.17		
1/4" MNPT	XT020 FC-XT020 BLUE	30	1.7	12.4	9.9	8.3	7.1	6.2	5.0	4.1	3.5	3.1	2.8	2.5	0.57	0.38	0.28	0.23	17	
		40	2.0	14.6	11.6	9.7	8.3	7.3	5.8	4.9	4.2	3.6	3.2	2.9	0.67	0.45	0.33	0.27		
		50	2.2	16.0	12.8	10.7	9.2	8.0	6.4	5.3	4.6	4.0	3.6	3.2	0.74	0.49	0.37	0.29		
		60	2.4	17.5	14.0	11.6	10.0	8.7	7.0	5.8	5.0	4.4	3.9	3.5	0.80	0.53	0.40	0.32		
1/4" MNPT	XT024 FC-XT024 YELLOW	30	2.1	14.3	11.4	9.5	8.2	7.1	5.7	4.8	4.1	3.6	3.2	2.9	0.65	0.44	0.33	0.26	18	
		40	2.4	16.5	13.2	11.0	9.4	8.3	6.6	5.5	4.7	4.1	3.7	3.3	0.76	0.50	0.38	0.30		
		50	2.7	18.0	14.8	12.3	10.5	9.2	7.4	6.1	5.3	4.6	4.1	3.7	0.84	0.56	0.42	0.34		
		60	2.9	20.0	16.2	13.5	11.5	10.1	8.1	6.7	5.8	5.1	4.5	4.0	1.0	0.65	0.49	0.39		
3/8" MNPT	XT043 FC-XT043 ORANGE	30	3.7	25.0	20.0	17.0	14.5	12.7	10.2	8.5	7.3	6.4	5.7	5.1	1.2	0.78	0.58	0.47	18	
		40	4.3	30.0	24.0	19.7	16.9	14.8	11.8	9.9	8.4	7.4	6.6	5.9	1.4	0.90	0.68	0.54		
		50	4.8	33.0	26.0	22.0	18.9	16.5	13.2	11.0	9.4	8.3	7.3	6.6	1.5	1.0	0.76	0.61		
		60	5.3	36.0	29.0	24.0	21.0	18.2	14.6	12.1	10.4	9.1	8.1	7.3	1.7	1.1	0.84	0.67		
1/2" MNPT	XT080 RED	30	6.9	50.0	40.0	33.0	29.0	25.0	20.0	16.7	14.4	12.6	11.2	10.0	2.3	1.5	1.2	0.92	17	
		40	8.0	58.0	47.0	39.0	33.0	29.0	23.0	19.4	16.6	14.6	12.9	11.6	2.7	1.8	1.3	1.1		
		50	8.9	65.0	52.0	43.0	37.0	32.0	26.0	22.0	18.5	16.2	14.4	13.0	3.0	2.0	1.5	1.2		
		60	9.8	71.0	57.0	48.0	41.0	36.0	29.0	24.0	20.0	17.8	15.9	14.3	3.3	2.2	1.6	1.3		
3/4" MNPT	XT167 WHITE	30	14.5	112.0	90.0	75.0	64.0	56.0	45.0	37.0	32.0	28.0	25.0	22.0	5.1	3.4	2.6	2.1	16	
		40	16.7	129.0	103.0	86.0	74.0	65.0	52.0	43.0	37.0	32.0	29.0	26.0	5.9	4.0	3.0	2.4		
		50	18.7	145.0	116.0	96.0	83.0	72.0	58.0	48.0	41.0	36.0	32.0	29.0	6.6	4.4	3.3	2.7		
		60	20.5	159.0	127.0	106.0	91.0	79.0	63.0	53.0	45.0	40.0	35.0	32.0	7.3	4.9	3.6	2.9		
3/4" MNPT	XT215 GRAY	30	18.6	115.0	92.0	77.0	66.0	58.0	46.0	38.0	33.0	29.0	26.0	23.0	5.3	3.5	2.6	2.1	20	
		40	21.5	133.0	106.0	89.0	76.0	67.0	53.0	44.0	38.0	33.0	30.0	27.0	6.1	4.1	3.1	2.4		
		50	24.0	149.0	119.0	99.0	85.0	74.0	59.0	50.0	42.0	37.0	33.0	30.0	6.8	4.5	3.4	2.7		
		60	26.3	163.0	130.0	108.0	93.0	81.0	65.0	54.0	46.0	41.0	36.0	33.0	7.5	5.0	3.7	3.0		

Note: Application rates are based on overall swath widths listed at 48" height. Refer to operating instructions if using a different swath.

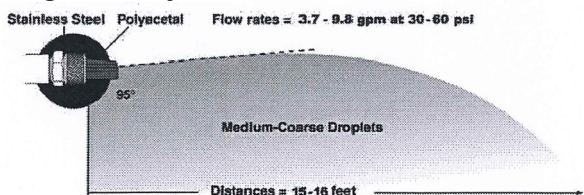
RIGHT-OF-WAY APPLICATIONS				Gallons per Acre												GAL/1000 Sq. Ft.				Swath Width (Ft) @ 40 PSI
Thread	XT Model	PSI	GPM	MPH												MPH				
				4	5	6	7	8	10	12	14	16	18	20	2	3	4	5		
3/8" MNPT	XT043R BLUE	30	3.7	29.0	23.0	19.1	16.4	14.3	11.4	9.5	8.2	7.2	6.4	5.7	1.3	0.88	0.66	0.53	16	
		40	4.3	33.0	27.0	22.0	19.0	16.6	13.3	11.1	9.5	8.3	7.4	6.7	1.5	1.0	0.76	0.61		
		50	4.8	37.0	30.0	25.0	21.0	18.6	14.9	12.4	10.6	9.3	8.3	7.4	1.7	1.1	0.85	0.68		
		60	5.3	41.0	33.0	27.0	23.0	20.0	16.4	13.7	11.7	10.2	9.1	8.2	1.9	1.3	0.94	0.75		
1/2" MNPT	XT080R YELLOW	30	6.9	50.0	40.0	33.0	29.0	25.0	20.0	16.7	14.4	12.6	11.2	10.0	2.3	1.5	1.2	0.92	15	
		40	8.0	58.0	47.0	39.0	33.0	29.0	23.0	19.0	16.6	14.6	12.9	11.6	2.7	1.8	1.3	1.1		
		50	8.9	65.0	52.0	43.0	37.0	32.0	26.0	22.0	19.0	16.2	14.4	13.0	3.0	2.0	1.5	1.2		
		60	9.8	71.0	57.0	48.0	41.0	36.0	29.0	24.0	20.0	18.0	15.9	14.3	3.3	2.2	1.6	1.3		

Note: Application rates are based on overall swath widths listed at 48" height. Refer to operating instructions if using a different swath.

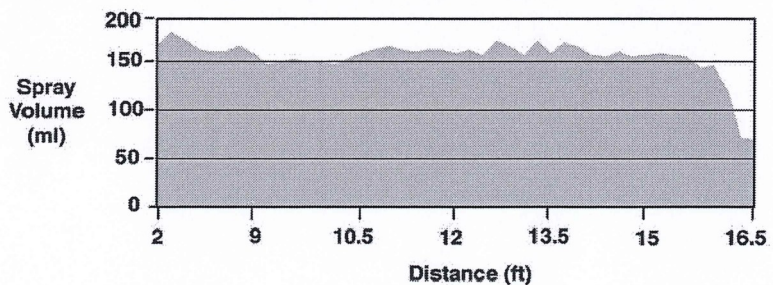
Standard Pattern



Right-of-Way Pattern



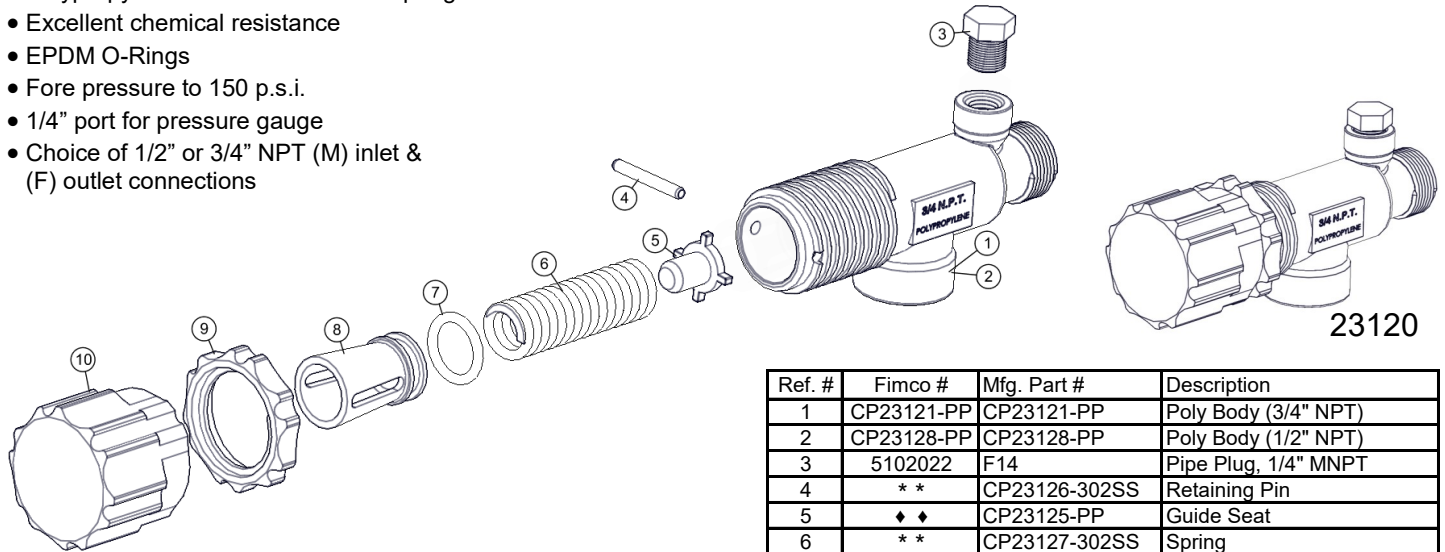
Typical Spray Pattern Produced by XT Series



Piston Type Pressure Relief/Regulating Valves

Bypasses excess fluid. Adjustable to maintain control of line pressure at any pressure within the valve operating range. Selected pressure setting firmly held in place by locknut. Extra large passages to handle large flows.

- Polypropylene with stainless steel spring
- Excellent chemical resistance
- EPDM O-Rings
- Fore pressure to 150 p.s.i.
- 1/4" port for pressure gauge
- Choice of 1/2" or 3/4" NPT (M) inlet & (F) outlet connections

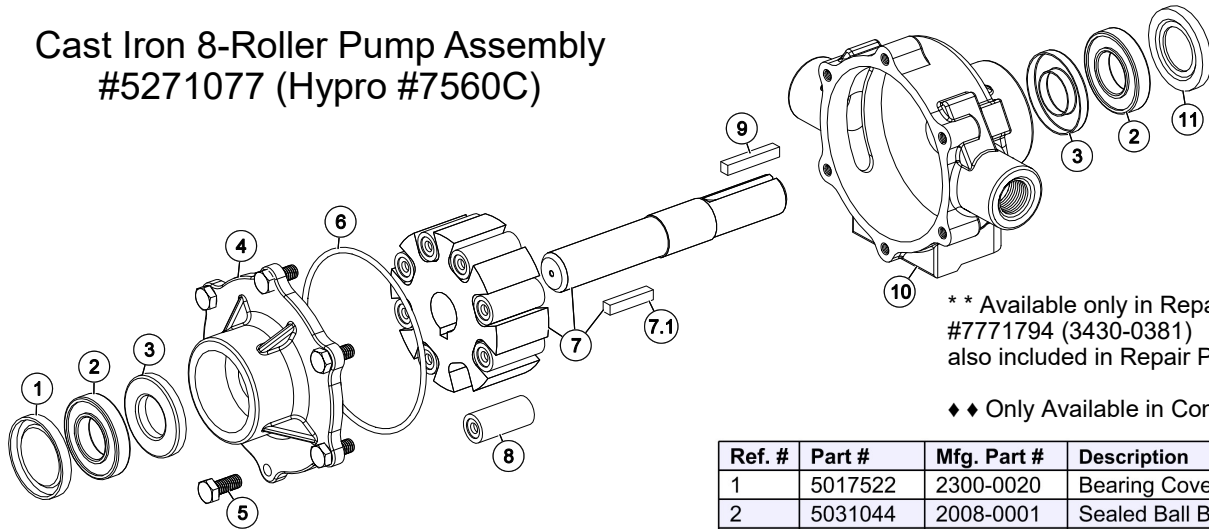


Ref. #	Fimco #	Mfg. Part #	Description
1	CP23121-PP	CP23121-PP	Poly Body (3/4" NPT)
2	CP23128-PP	CP23128-PP	Poly Body (1/2" NPT)
3	5102022	F14	Pipe Plug, 1/4" MNPT
4	**	CP23126-302SS	Retaining Pin
5	◆◆	CP23125-PP	Guide Seat
6	**	CP23127-302SS	Spring
7	**	CP7717-15-EPR	O-Ring, EPDM Rubber
8	◆◆	CP23124-PP	Spring Retainer
9	5110266	CP23123-PP	Lock Ring
10	5046270	CP23122-NY	Adjusting Cap, Nylon (Gray)

** Available only in Repair Kit
◆◆: Only Available in Complete Assembly

Fimco #	Mfg. Part #	Description
5143199	23120-3/4-PP	Pressure Relief Valve (3/4" NPT)
5143200	23120-1/2-PP	Pressure Relief Valve (1/2" NPT)
5168717	PK-AB23120-KIT	Repair Kit, Items Marked **

Cast Iron 8-Roller Pump Assembly #5271077 (Hypro #7560C)



** Available only in Repair Parts Kit #7771794 (3430-0381) (Super Rollers are also included in Repair Parts Kit)

◆◆ Only Available in Complete Assembly

Ref. #	Part #	Mfg. Part #	Description	Qty
1	5017522	2300-0020	Bearing Cover	1
2	5031044	2008-0001	Sealed Ball Bearing	2
3	**	2112-0003	Viton Seal (Standard)	2
4	◆◆	0204-7500C	Endplate (Cast Iron) w/Seal	1
5	5034038	- - -	H.H.C.S. 5/16"-18nc x 3/4"	6
6	**	1720-0014	O-Ring Gasket for Endplate	1
7	5172113	0308-7560C	Rotor w/Shaft Assembly	1
7.1	1610-0059	1610-0059	Key (Stainless Steel)	1
8	5112030	1005-0004	Super Roller (Standard)	8
9	5089012	1610-0005	Key	1
10	◆◆	0104-7500C	Body (Cast Iron) w/Seal	1
11	5017523	2300-0022	Shaft Bearing Cover	1

STOP WARNING STOP
DO NOT USE PUMP IN AN EXPLOSIVE ENVIRONMENT. DO NOT USE TO PUMP FLAMMABLE/COMBUSTIBLE FLUIDS, GASOLINE, KEROSENE, FUEL, OIL, ETC.

Pump Speed (RPM)	0 PSI		50 PSI		100 PSI		150 PSI		200 PSI		250 PSI		300 PSI	
	GPM	HP	GPM	HP	GPM	HP	GPM	HP	GPM	HP	GPM	HP	GPM	HP
600	14.0	0.45	13.1	0.87	12.1	1.41	11.2	1.98	10.6	2.5	10.0	3.1	9.1	3.7

Warranty Info

LIMITED WARRANTY FOR NEW FIMCO, INC.

WHO MAY USE THIS LIMITED WARRANTY. This limited warranty (the "Limited Warranty") is provided by Fimco, Inc. to the original purchaser ("you") of the Equipment (as defined below) from Fimco, Inc. or one of Fimco, Inc.'s authorized dealers. This Limited Warranty does not apply to any subsequent owner or other transferee of the Equipment. THIS LIMITED WARRANTY GIVES YOU SPECIFIC LEGAL RIGHTS, AND YOU MAY ALSO HAVE OTHER RIGHTS WHICH VARY FROM STATE TO STATE.

WHAT THIS LIMITED WARRANTY COVERS AND FOR HOW LONG. Fimco, Inc. warrants that any registered new Equipment will be free from defects in material and workmanship for a period of **one (1) year** (homeowner), **90 days** (commercial user), after delivery of the Equipment to you (the "Warranty Period"). The Warranty Period is not extended if Fimco, Inc. repairs or replaces the Equipment.

WHAT IS NOT COVERED BY THIS LIMITED WARRANTY. This Limited Warranty does not apply to: (1) used Equipment; (2) any Equipment that has been altered, changed, repaired or treated since its delivery to you, other than by Fimco, Inc. or its authorized dealers; (3) damage or depreciation due to normal wear and tear; (4) defects or damage due to failure to follow Fimco, Inc.'s operator's manual, specifications or other written instructions, or improper storage, operation, maintenance, application or installation of parts; (5) defects or damage due to misuse, accident or neglect, "acts of God" or other events beyond Fimco, Inc.'s reasonable control; (6) accessories, attachments, tools or parts that were not manufactured by Fimco, Inc., whether or not sold or operated with the Equipment; or (7) rubber parts, such as tires, hoses and grommets.

HOW TO OBTAIN WARRANTY SERVICE. To obtain warranty service under this Limited Warranty, you must (1) provide written notice to Fimco, Inc. of the defect during the Warranty Period and within **thirty (30)** days after the defect becomes apparent or the repair becomes necessary, at the following address: Fimco, Inc., 1000 Fimco Lane, North Sioux City, SD 57049; and (2) make the Equipment available to Fimco, Inc. or an authorized dealer within a reasonable period of time. For more information about this Limited Warranty, please call: **800-831-0027**

WHAT REMEDIES ARE AVAILABLE UNDER THIS LIMITED WARRANTY. If the conditions set forth above are fulfilled and the Equipment or any part thereof is found to be defective, Fimco, Inc. shall, at its own cost, and at its option, either repair or replace the defective Equipment or part. Fimco, Inc. will pay for shipping and handling fees to return the repaired or replacement Equipment or part to you.

LIMITATION OF IMPLIED WARRANTIES AND OTHER REMEDIES. THE REMEDIES DESCRIBED ABOVE ARE YOUR SOLE AND EXCLUSIVE REMEDIES, AND FIMCO, INC.'S SOLE LIABILITY, FOR ANY BREACH OF THIS LIMITED WARRANTY. TO THE EXTENT APPLICABLE, ANY IMPLIED WARRANTIES, INCLUDING, WITHOUT LIMITATION, THE IMPLIED WARRANTIES OF MERCHANTABILITY AND FITNESS FOR A PARTICULAR PURPOSE, SHALL BE LIMITED IN DURATION TO THE WARRANTY PERIOD, AND THE REMEDIES AVAILABLE FOR BREACH THEREOF SHALL BE LIMITED TO THE REMEDIES AVAILABLE UNDER THIS EXPRESS LIMITED WARRANTY. SOME STATES DO NOT ALLOW LIMITATIONS ON HOW LONG AN IMPLIED WARRANTY LASTS, SO THE ABOVE LIMITATION MAY NOT APPLY TO YOU. IN NO EVENT SHALL FIMCO, INC.'S LIABILITY UNDER THIS LIMITED WARRANTY EXCEED THE ACTUAL AMOUNT PAID BY YOU FOR THE DEFECTIVE EQUIPMENT, NOR SHALL FIMCO, INC. BE LIABLE, UNDER ANY CIRCUMSTANCES, FOR ANY CONSEQUENTIAL, INCIDENTAL, SPECIAL OR PUNITIVE DAMAGES OR LOSSES, WHETHER DIRECT OR INDIRECT. SOME STATES DO NOT ALLOW THE EXCLUSION OR LIMITATION OF INCIDENTAL OR CONSEQUENTIAL DAMAGES, SO THE ABOVE LIMITATION OR EXCLUSION MAY NOT APPLY TO YOU.