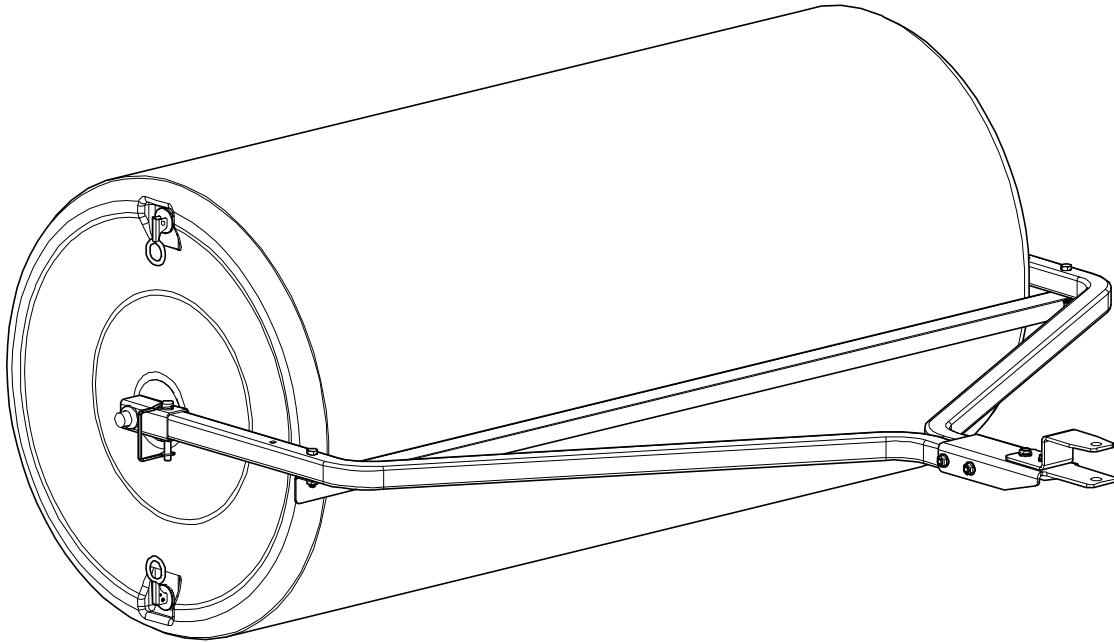


OWNER'S MANUAL

Models: LRP-2448B (5301948)
(Poly Lawn Roller, 24" Diameter & 48" Drum Length)



General Information

Thank you for purchasing this product. The purpose of this manual is to assist you in operating and maintaining your Lawn Roller assembly.

**BEFORE RETURNING THIS PRODUCT
FOR ANY REASON, PLEASE CALL**

1-800-831-0027

MONDAY-FRIDAY, 8:00 AM TO 5:00 PM CST

If you should have a question or experience a problem with your Fimco Industries Product: Visit our website @ www.fimcoindustries.com or call the Toll free number above. Our technical support representatives will be happy to help you.

In most cases a customer service rep. can resolve the problem over the phone.

To obtain prompt, efficient service, always remember to give the following information....

- Correct Part Description and/or part number
- Model number and Serial Number

Part descriptions and numbers can be obtained from the illustrated parts list section(s) of this manual.

**Retain a copy of your receipt for your unit,
as it will be required to validate any warranty service.**

Warranted against manufacturer or workmanship defects from date of purchase with copy of receipt:

Homeowner Usage: One Year.

Commercial Usage: 90 Days.



WARNING: To reduce the risk of injury, the user must read and understand the operator's manual before using this product.



WARNING: Cancer and Reproductive Harm.
www.P65Warnings.ca.gov



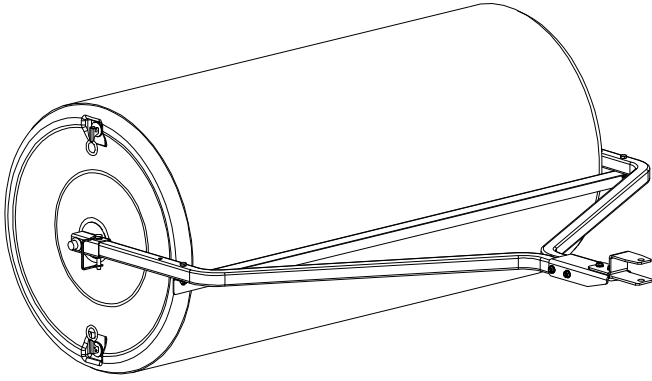
www.fimcoindustries.com

1000 FIMCO Lane, P.O. Box 1700, North Sioux City, SD 57049
Toll Free Phone: 800-831-0027 : Toll Free Fax: 800-494-0440
[5008294 (11/22)]

Contents

Technical Specifications	2	Dimensions.....	5
Assembly Instructions	3	Warranty	6
Exploded Parts View and Parts List	4		

Models: LRP-2448B (5301948) (Poly Lawn Roller, 24" Diameter & 48" Drum Length)



Technical Specifications (LRP-2448B = Boxed)

Roller Drum:

48", Heavy Duty Polyethylene

Roller Head:

24" Precision Molded Polyethylene

Overall Width: 56" Wide

Weight Filled with Water: 878 lbs.

Assembled Weight Empty: 75 lbs.

Tow Hitch: STD. Type, 5/8" pin hole

Approximate Shipping Weight: 93 Lbs. boxed

Know the towing capacity of the vehicle used for towing your lawn roller.

~~~~~WARNING~~~~~



Read and Understand the Owner's Manual completely before using this attachment. Assemble, test and use in accordance to manual instructions.

Exercise Caution in vehicle handling when using this attachment to avoid loss of control or overturning.

Do Not allow anyone to ride on or sit with you when operating. Failure to comply could result in severe injury or damage.

Keep children, bystanders and pets at a safe distance away while operating this or any attachment.

Refer to towing vehicle manual to determine proper towing capacity.

Do Not exceed 3 MPH. Towing speed should always be slow enough to maintain control.

Rollers Yield the Best Results when ground conditions are correct and equipment is operating less than 3 MPH.

For Longest Life, drain the roller after use, leave the plug out and if possible, hang the roller when not in use to prevent the drum from developing of a flat spot.

Note: that sand may be used in place of water with no risk of freezing.

Ground Condition is vital to good leveling. Soil should be moist, not muddy.

Stay Alert for holes in the terrain and other hidden hazards.

Occasionally check all moving parts for free movement and if necessary, lubricate with oil.

Slow down before turning and do not turn sharply. Use wide turns to ensure attachment follows path of towing vehicle.

Always operate up and down a slope, never across the face of a slope.

Slow down and use extra care on hillsides. Turf conditions can affect vehicle stability.

Keep all movement on slopes slow and gradual. Do not make sudden changes in speed, directions or turning.

Stop on level ground, disengage drives, set the parking brake and shut off engine before leaving the operator's position for any reason, including adjusting the attachment.

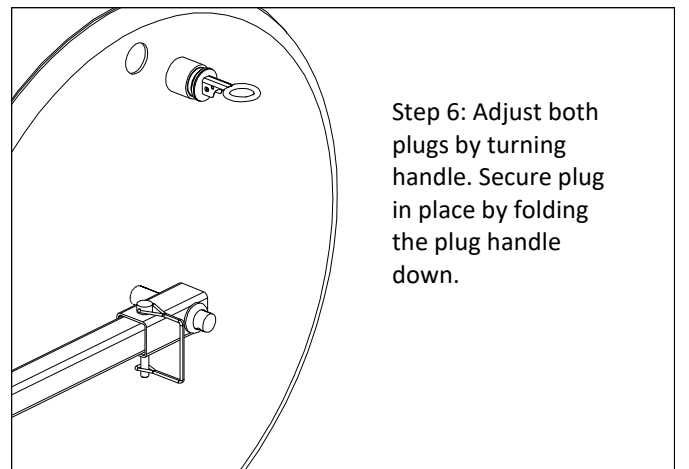
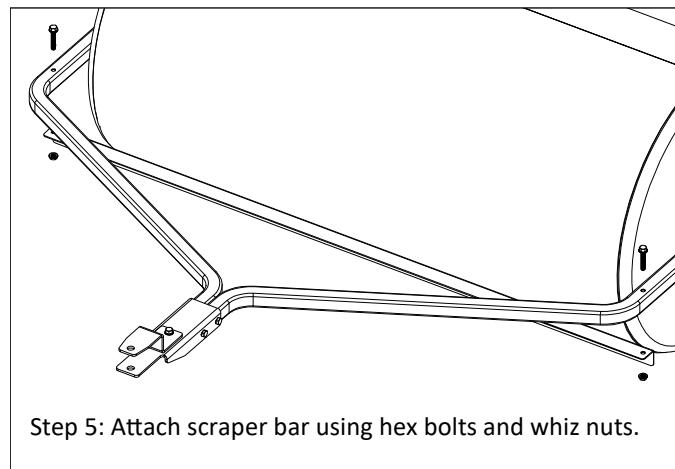
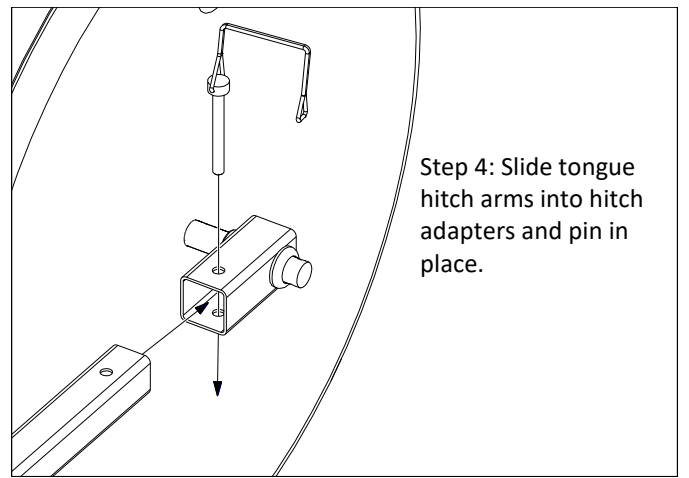
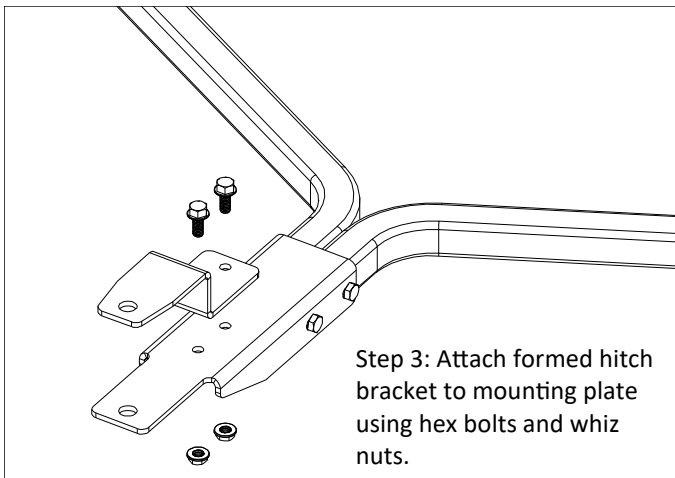
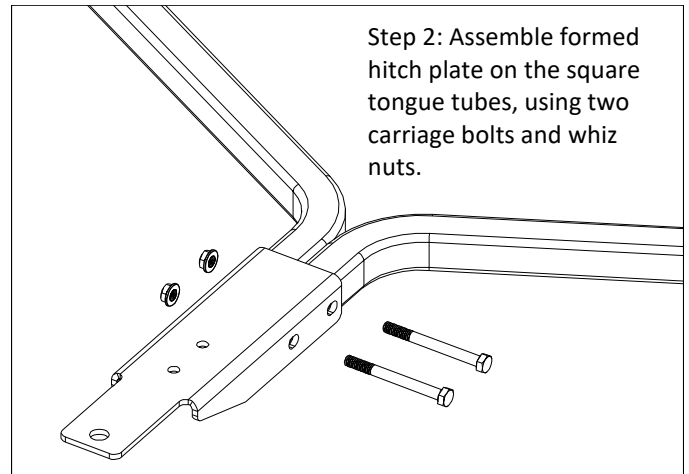
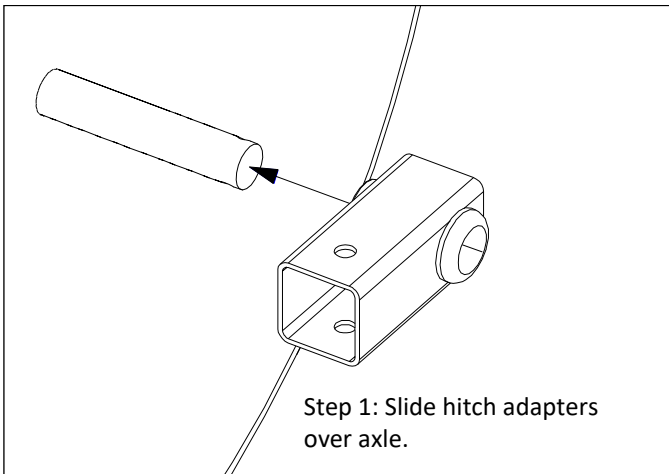
Keep all parts in good condition and properly installed. Fix damaged parts immediately.

Do Not modify attachment.

Caution should be taken when towing and/or using any attachment. This attachment combined with the weight distribution, turning radius and speed of towing vehicle can result in severe injury or death, damage to towing vehicle and/or attachment, if not used properly.

Assembly Instructions

Remove the parts to the unit from the carton. Refer to exploded view and parts list to help identify the parts.



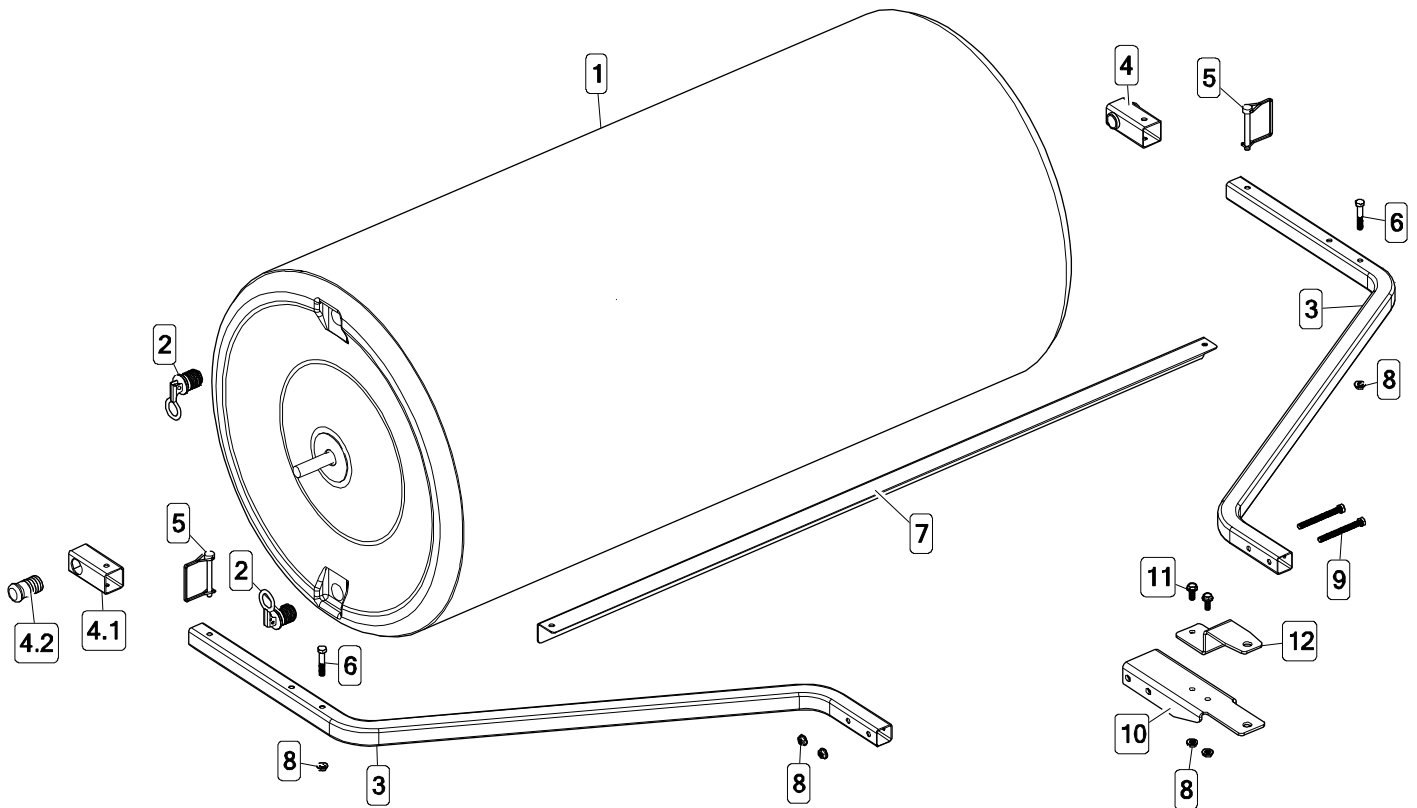
Operating Instructions

Fill roller by removing top drain plug and fill with liquid or sand, not to exceed towing vehicle towing limit. Know the towing capacity of the vehicle used for towing your lawn roller. Do not fill lawn roller to full capacity if it will exceed the weight your towing vehicle can safely pull and stop.

Avoid making sharp turns, as you may damage your ground or create unsafe operating conditions. Follow the slope of the terrain; avoid direct paths up and down steep slopes. Always completely drain all water from roller before freezing temperatures are predicted.

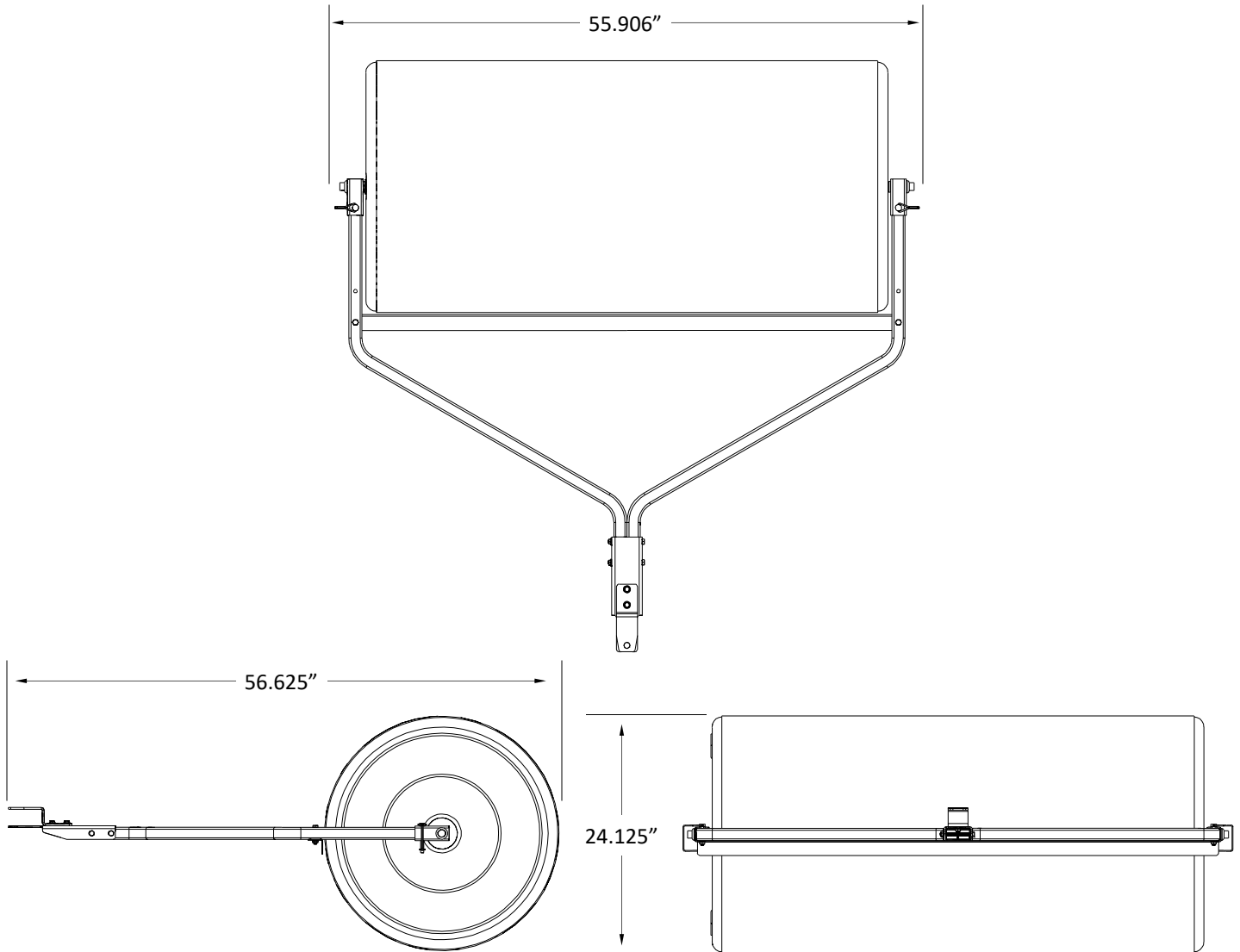
Exploded View/Parts List:

LRP-2448B (5301948)



Ref. #	Part #	Description	Qty
1	5277088	24" x 48" Poly Roller	1
2	5102131	Snap Drain Plug, 1-1/16	2
3	5023110-RED	48" Hitch Arm	2
4	5005285	Lawn Roller Hitch Adapter	2
4.1	5100539-RED	Lawn Roller Hitch Tube	1
4.2	5149038	1 Inch Poly Barb Fitting	1
5	5101302	Hitch Pin, 5/16 x 2.50	2
6	5034088	5/16-18 x 1.75 Hex Bolt	2
7	5095230-RED	48 Inch Scraper Support Mount	1
8	5006307	5/16-18 Serrated Flanged Hex Nut	6
9	5034462	5/16-18 x 3.25 Hex Bolt	2
10	5027159-BLK	Formed Hitch Plate	1
11	5117323	5/16-18 x 0.75 Flanged Hex Bolt	2
12	5038517-BLK	Hitch Bracket (Formed)	1

Approx. Dimensions:



**Technical Specifications
(LRP-2448B = Boxed)**

Roller Drum:
48", Heavy Duty Polyethylene

Roller Head:
24" Precision Molded Polyethylene

Overall Width: 56" Wide

Weight Filled with Water: 878 lbs.

Assembled Weight Empty: 75 lbs.

Tow Hitch: STD. Type, 5/8" pin hole

Approximate Shipping Weight: 93 Lbs. boxed

Know the towing capacity of the vehicle used for towing your lawn roller.

Warranty

LIMITED WARRANTY FOR NEW FIMCO, IND. EQUIPMENT

WHO MAY USE THIS LIMITED WARRANTY. This limited warranty (the "Limited Warranty") is provided by Fimco, Ind. to the original purchaser ("you") of the Equipment (as defined below) from Fimco, Ind. or one of Fimco, Ind.'s authorized dealers. This Limited Warranty does not apply to any subsequent owner or other transferee of the Equipment. THIS LIMITED WARRANTY GIVES YOU SPECIFIC LEGAL RIGHTS, AND YOU MAY ALSO HAVE OTHER RIGHTS WHICH VARY FROM STATE TO STATE.

WHAT THIS LIMITED WARRANTY COVERS AND FOR HOW LONG. Fimco, Ind. warrants that any new Equipment will be free from defects in material and workmanship for a period of **one (1) year** (homeowner), **90 days** (commercial user), after delivery of the Equipment to you (the "Warranty Period"). The Warranty Period is not extended if Fimco, Ind. repairs or replaces the Equipment.

WHAT IS NOT COVERED BY THIS LIMITED WARRANTY. This Limited Warranty does not apply to: (1) used Equipment; (2) any Equipment that has been altered, changed, repaired or treated since its delivery to you, other than by Fimco, Ind. or its authorized dealers; (3) damage or depreciation due to normal wear and tear; (4) defects or damage due to failure to follow Fimco, Ind.'s operator's manual, specifications or other written instructions, or improper storage, operation, maintenance, application or installation of parts; (5) defects or damage due to misuse, accident or neglect, "acts of God" or other events beyond Fimco, Ind.'s reasonable control; (6) accessories, attachments, tools or parts that were not manufactured by Fimco, Ind., whether or not sold or operated with the Equipment; or (7) rubber parts, such as tires, hoses and grommets.

HOW TO OBTAIN WARRANTY SERVICE. To obtain warranty service under this Limited Warranty, you must (1) provide written notice to Fimco of the defect during the Warranty Period and within **thirty (30)** days after the defect becomes apparent or the repair becomes necessary, at the following address: Fimco, 1000 Fimco Lane, North Sioux City, SD 57049; and (2) make the Equipment available to Fimco or an authorized dealer within a reasonable period of time. For more information about this Limited Warranty, please call: **800-831-0027**

WHAT REMEDIES ARE AVAILABLE UNDER THIS LIMITED WARRANTY. If the conditions set forth above are fulfilled and the Equipment or any part thereof is found to be defective, Fimco, Ind. shall, at its own cost, and at its option, either repair or replace the defective Equipment or part. Fimco, Ind. will pay for shipping and handling fees to return the repaired or replacement Equipment or part to you.

LIMITATION OF IMPLIED WARRANTIES AND OTHER REMEDIES. THE REMEDIES DESCRIBED ABOVE ARE YOUR SOLE AND EXCLUSIVE REMEDIES, AND FIMCO, IND.'S SOLE LIABILITY, FOR ANY BREACH OF THIS LIMITED WARRANTY. TO THE EXTENT APPLICABLE, ANY IMPLIED WARRANTIES, INCLUDING, WITHOUT LIMITATION, THE IMPLIED WARRANTIES OF MERCHANTABILITY AND FITNESS FOR A PARTICULAR PURPOSE, SHALL BE LIMITED IN DURATION TO THE WARRANTY PERIOD, AND THE REMEDIES AVAILABLE FOR BREACH THEREOF SHALL BE LIMITED TO THE REMEDIES AVAILABLE UNDER THIS EXPRESS LIMITED WARRANTY. SOME STATES DO NOT ALLOW LIMITATIONS ON HOW LONG AN IMPLIED WARRANTY LASTS, SO THE ABOVE LIMITATION MAY NOT APPLY TO YOU. IN NO EVENT SHALL FIMCO, IND.'S LIABILITY UNDER THIS LIMITED WARRANTY EXCEED THE ACTUAL AMOUNT PAID BY YOU FOR THE DEFECTIVE EQUIPMENT, NOR SHALL FIMCO, IND. BE LIABLE, UNDER ANY CIRCUMSTANCES, FOR ANY CONSEQUENTIAL, INCIDENTAL, SPECIAL OR PUNITIVE DAMAGES OR LOSSES, WHETHER DIRECT OR INDIRECT. SOME STATES DO NOT ALLOW THE EXCLUSION OR LIMITATION OF INCIDENTAL OR CONSEQUENTIAL DAMAGES, SO THE ABOVE LIMITATION OR EXCLUSION MAY NOT APPLY TO YOU.