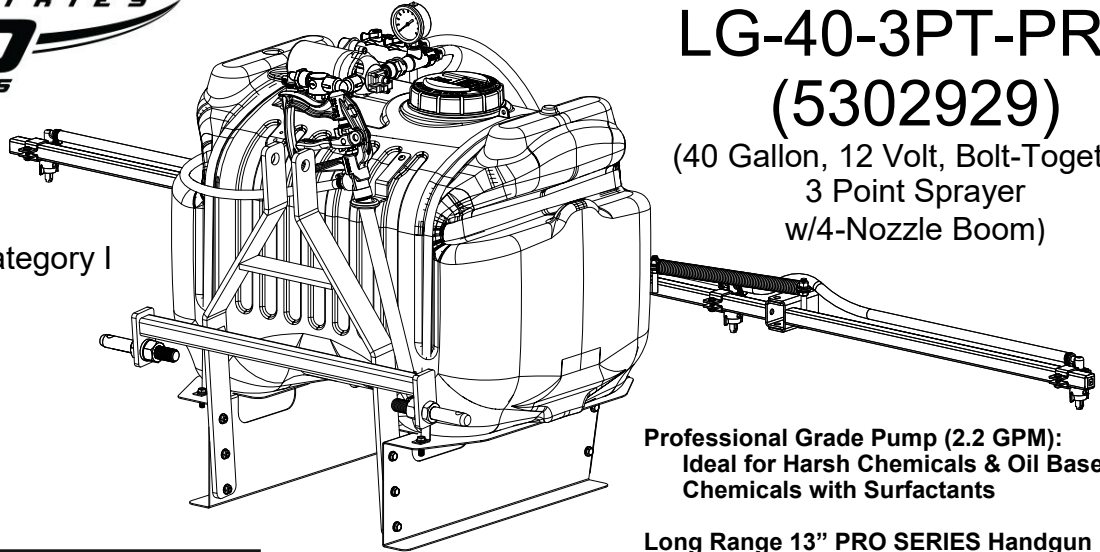


OWNER'S MANUAL



Category I



Model:
LG-40-3PT-PRO
(5302929)

(40 Gallon, 12 Volt, Bolt-Together,
3 Point Sprayer
w/4-Nozzle Boom)

Professional Grade Pump (2.2 GPM):
Ideal for Harsh Chemicals & Oil Based
Chemicals with Surfactants

Long Range 13" PRO SERIES Handgun
38' Horizontal Spray & 27' Vertical

Roundup® Ready

BEFORE RETURNING THIS PRODUCT
FOR ANY REASON, PLEASE CALL

1-800-831-0027

IF YOU SHOULD HAVE A QUESTION OR
EXPERIENCE A PROBLEM WITH YOUR
FIMCO INDUSTRIES PRODUCT:

1-800-831-0027

BEFORE YOU CALL, PLEASE HAVE THE
FOLLOWING INFORMATION AVAILABLE:
SALES RECEIPT & MODEL NUMBER. IN MOST
CASES, A FIMCO INDUSTRIES EMPLOYEE CAN
RESOLVE THE PROBLEM OVER THE PHONE.

General Information

Thank you for purchasing this product. The purpose of this manual is to assist you in operating and maintaining your 3-Point sprayer.



WARNING: To reduce the risk of injury, the user must read and understand the operator's manual before using this product.



WARNING: Cancer and Reproductive Harm
www.P65Warnings.ca.gov

Retain a copy of your receipt for your unit, as it will be required to validate any warranty service. Products are warranted against manufacturer or workmanship defects for one year from date of purchase for home owner usage and 90 days for commercial usage.

For technical assistance, visit our website @ www.fimcoindustries.com or call: **TOLL FREE @ 1-800-831-0027**

Our Technical Support Representatives will be happy to help you.

To obtain prompt, efficient service, always remember to give the following information...

- Correct Part Description and/or part number
 - Model #/Serial # of your sprayer

Part descriptions and numbers can be obtained from the illustrated parts list section(s) of this manual.

Technical Specifications

- 40 Gal. Corrosion-Resistant Polyethylene Tank
- 12 Volt Diaphragm Pump, 2.2 g.p.m.—100 psi
- High Pressure Handgun
- 25 Ft. Handgun Hose (3/8" I.D.)
- 27 Ft. Vertical throw, 38 Ft. Horizontal Throw
- Bolt-Together Frame
- 4-Nozzle Boom Assembly, 120" Spray Coverage
- Multi-Lid

Assembly Instructions

- The sprayer is partially assembled.
- Follow the steps on pages 2 & 3 to properly assemble the sprayer.
- After assembly is complete and before testing your sprayer, make sure you connect the electrical hook-up to the end of your pump and clip the clips to a fully charged battery.
- The drain plug assembly should already be attached to the tank



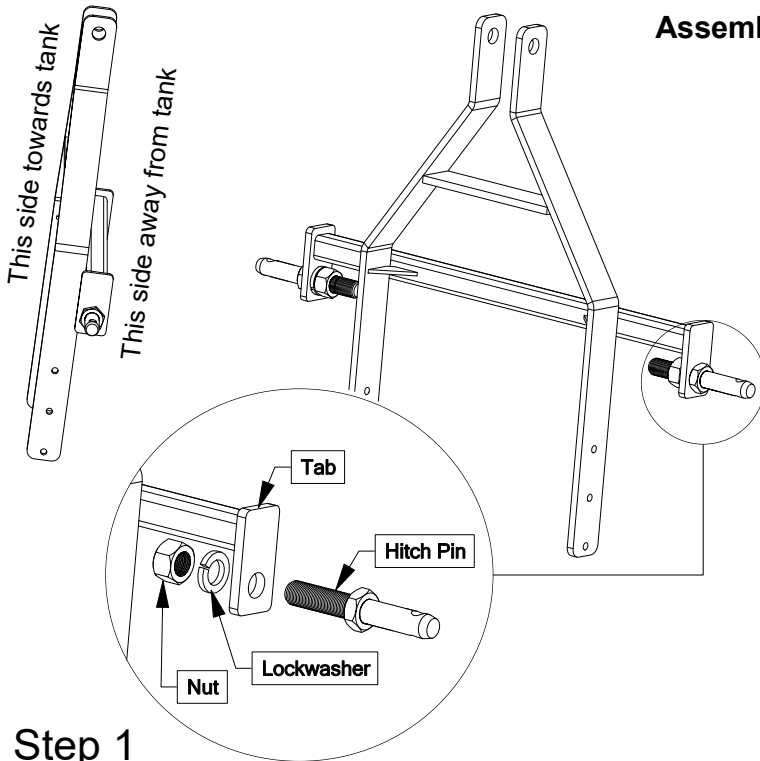
www.fimcoindustries.com

1000 FIMCO Lane, P.O. Box 1700, North Sioux City, SD 57049
Toll Free Phone: 800-831-0027 : Toll Free Fax: 800-494-0440

[5194546

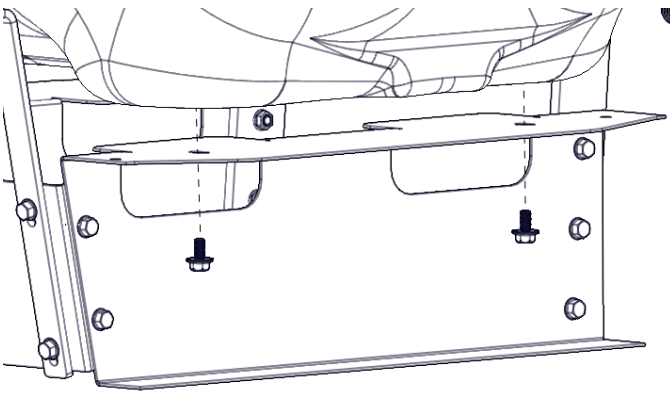
(03/20)]

Assembly Instructions: LG-40-3PT-PRO (5302929)



Step 1

Install the lower hitch pins into the tabs of the front frame weldment. Place these pins through the holes in the tabs, slip the lock washers on and thread the nuts onto the pin. Tighten securely.

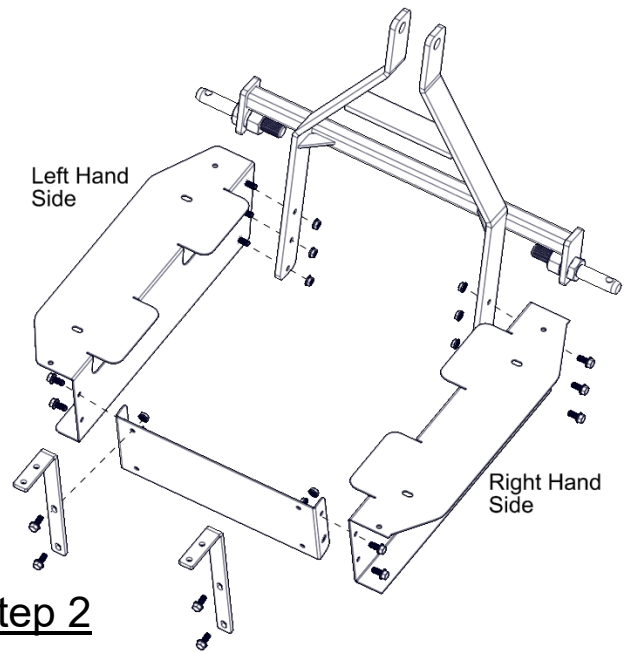


Step 3

** After positioning the tank on the assembled frame, bolt it down to the side members with the supplied (4) 5/16" x 5/8" flange lock screws. These 4 screws will go through the frame and up into the (4) 'threaded inserts' in the bottom of the tank.

If tank does not line up with screw holes, check the orientation of your front frame weldment (shown in Step 1).

*****DO NOT OVERTIGHTEN*****



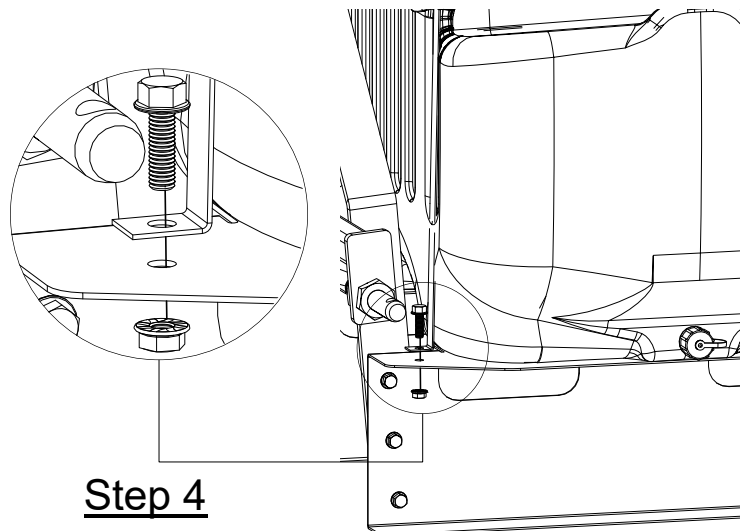
Step 2

Bolt the frame together as shown. Attach RH side plate to the front frame weldment using (3) 5/16"-18 x 3/4" Flange Whiz Lock Screw and (3) 5/16"-18 Hex Whiz Nut.

Attach back tie plate to RH side plate using (2) 5/16"-18 x 3/4" Flange Whiz Lock Screw and (2) 5/16"-18 Hex Whiz Nut.

Repeat procedure for LH side plate.

Attach Boom Support Bars using (2 each) 5/16"-18 x 3/4" Flange Whiz Lock Screws and (2 each) 5/16"-18 Hex Whiz

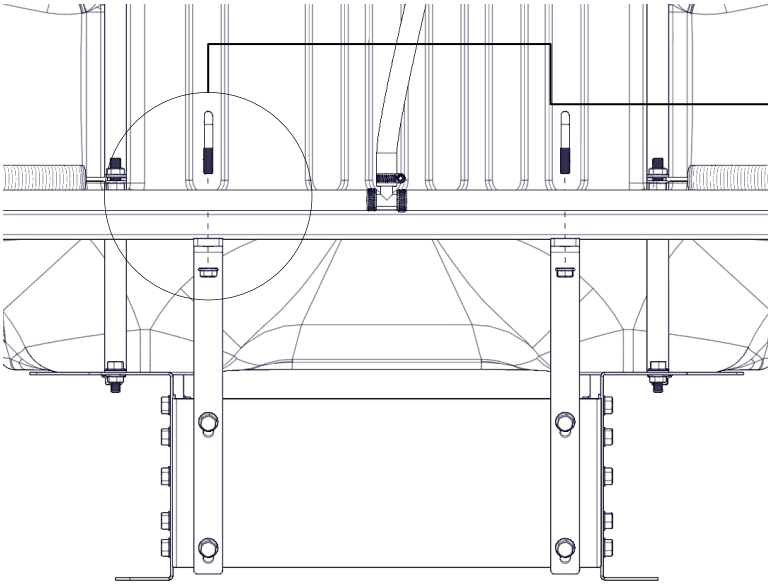


Step 4

Next, attach the tank straps over the tank and secure them in place using (2 each) 5/16"-18 x 1" Flange Hex Bolts and (2 each) 5/16"-18 Hex Whiz Nuts.

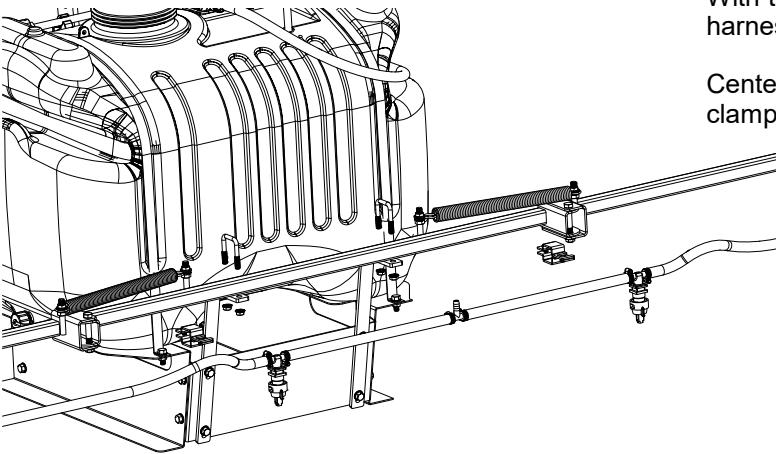
Assembly Instructions: LG-40-3PT-PRO (5302929)

Step 5



Next, attach the center boom member of the 4-nozzle boom to the boom support bars, centering it on the unit, using the (2) U-Bolts and (4) 5/16"-18 Hex Whiz Nuts. Make sure the outer boom members fold 'backwards'.

Step 6



With the boom secured to the boom support bars, the nozzle harness can now be attached.

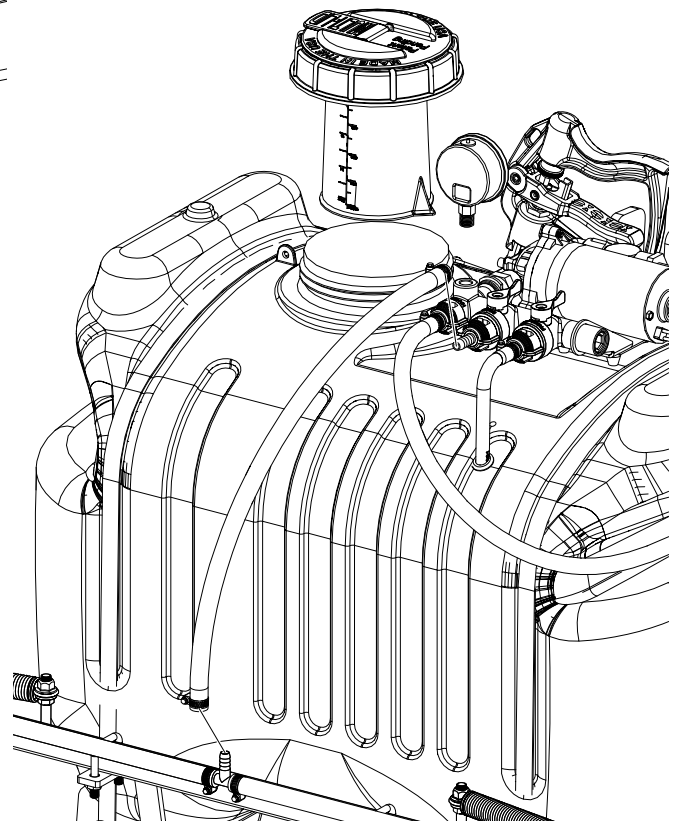
Center the nozzle harness to the boom and using the nozzle clamps, attach the nozzle harness to the boom.

Step 7

After your nozzle harness is attached to the boom, attach the boom feeder hose. Place (2) hose clamps loosely onto each end of the hose, loosely. Slip the ends of the hose over the hose bars on both the manifold and the poly tee fitting on the nozzle harness. Use a twisting motion, if necessary to get the hose fully onto each barb. Bring the hose clamps to the connection point and tighten securely.

Thread the pressure gauge into the manifold. Hand tight should be sufficient.

Finally, thread the lid onto the tank.



*****The Sprayer should now be ready for use*****

IMPORTANT: Remove tank lid and be sure the tank is clean and free of any foreign material. Rinse tank out of any tank residue before filling with water to test.

Testing the Sprayer

NOTE:

It is VERY important for you to test your sprayer with plain water before actual spraying is attempted. This will enable you to check the sprayer for leaks without the possibility of losing any expensive chemicals.

Attach the unit to the tractor's 3-point hitch. Connect the lead wire .

Fill the tank about 1/2 full with plain water and drive to the starting place for spraying.

When you are ready to spray, turn the boom valve to the "on" position (Detail A). This will start solution spraying from the tips of the boom. The pressure will decrease slightly when the boom is spraying.

Adjust the pressure by turning the "ON/OFF" valve lever on the bypass line valve (Detail B). Make sure your pattern is sufficient. You may down-pressure the system by 'bypassing' solution back into the tank. This is achieved by opening the bypass valve. Regulating pressure is done in this manner.

Read the operating instructions and initially begin spraying by closing the 'Pressure Adjust' valve and opening the boom line valve (Detail A). This will enable the air in the line to be eliminated (purged) through all the tips, while building pressure. When everything tests all right (no leaks and good pressure), add the desired chemicals to the mixture and water combination and start your spraying operation. Adjust the pressure and spray as you did in the testing procedure.

Conditions of weather and terrain must be considered when setting the sprayer. Do not spray on windy days. Protective clothing must be worn in some cases.

Be sure to read the chemical label(s) before application!

Operation

The pumping system draws solution from the tank, through the strainer and to the pump. The pump forces the solution under pressure to the handgun or boom nozzles.

Connect the lead wire to a fully charged 12 volt battery. You may use either a stand-alone battery or the battery on your towing vehicle. Connect to the positive (red) terminal first, then connect to the negative (black) terminal. Then connect the end of the lead wire to the end of the pump. When disconnecting, disconnect the end of the pump wire from the lead wire, then disconnect the negative (black) connection and finally the positive (red) connection. The lead wire has an On/Off switch to activate the pump. "-" is on and "O" is off.

Fill the tank part way with water and then add the desired amount of chemical to be sprayed. Finish filling tank to proper level. Turn the pump on and by depressing the "-" side of the rocker switch. The pump is equipped with a pressure switch that is pre-set at the factory to shut the pump off when all discharges are closed.

The pump will turn back on when one of the following actions occurs:

- ◆ Handgun lever is squeezed to spray the handgun.
- ◆ Boom valve is opened to broadcast spray with the boom.
- ◆ Bypass valve is opened to re-circulate solution back into the tank.

When spraying with either the boom or the handgun, pressure may be reduced by slowly opening the bypass valve until desired pressure is achieved. Opening the valve decreases pressure, closing the valve increases pressure. When spraying with the boom, the proper method to set the pressure is to open the boom valve completely and if a lower pressure is desired, then slowly open the bypass valve until that pressure is obtained.

For the safest and most efficient chemical application, you will need to calibrate your sprayer using the tip and speed charts. Once you have determined the proper speed and pressure settings, you will need to consult your chemical label for the amount of chemical to be added to the tank. Read the entire label. Use only according to label directions.

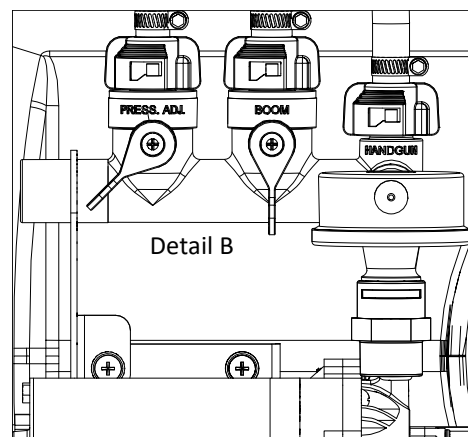
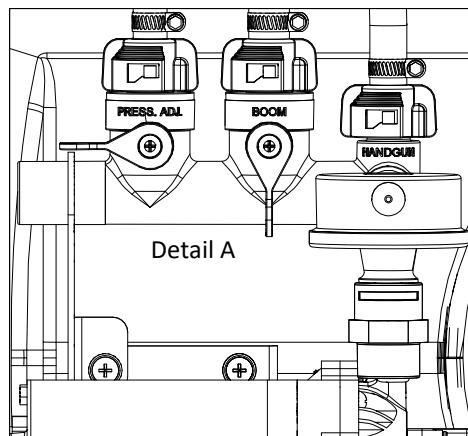
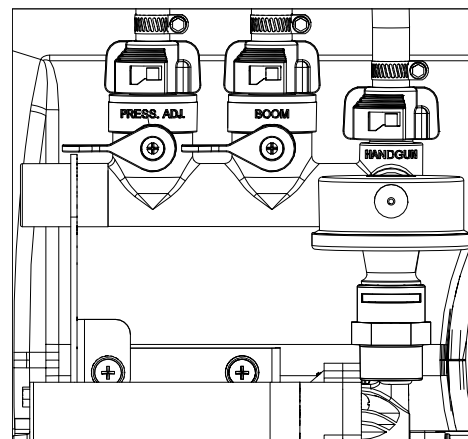
Calibration

Chemical labels may show application rates in gallons per acre, gallons per 1000 square feet or gallons per 100 square feet. You will note that the tip chart shows 2 of these rating systems. Once you know how much you are going to spray, then determine (from the tip chart) the spraying pressure (PSI), and the spraying speed (MPH).

Determining the proper speed of the pulling vehicle can be done by marking off 100, 200 & 300 feet. The speed chart indicates the number of seconds it takes to travel the distances. Set the throttle and with a running start, travel the distances. Adjust the throttle until you travel the distances in the number of seconds indicated by the speed chart. Once you have reached the throttle setting needed, mark the throttle location so you can stop and go again, returning to the same speed.

Add water and proper amount of chemical to the tank and drive to the starting place for spraying.

Manifold Valves CLOSED



Speed Chart			
Speed in M.P.H. (Miles Per Hour)	Time Required in seconds to travel a distance of		
	100 Ft.	200 Ft.	300 Ft.
1.0	68 sec.	136 sec.	205 sec.
2.0	34	68	102
3.0	23	45	68
4.0	17	34	51
5.0	14	27	41
6.0	11	23	34
7.0	9.7	19	29
8.0	8.5	17	26
9.0	7.6	15	23
10.0	6.8	14	20

Spray Tip Rate Chart (30" Spacing)								
Tip No.	Pressure (psi)	Capacity (GPM)	Gallons Per Acre - Based on Water					
			1 MPH	2 MPH	3 MPH	4 MPH	5 MPH	6 MPH
AIXR11002VP	15	.12	23.50	11.70	7.80	5.90	4.70	3.90
	20	.14	27.50	13.70	9.10	6.90	5.50	4.60
	30	.17	33.30	16.60	11.10	8.30	6.70	5.50
	40	.20	39.30	19.70	13.10	9.80	7.90	6.50

Spray Tip Rate Chart (30" Spacing)								
Tip No.	Pressure (psi)	Capacity (GPM)	Gallons Per 1000 Sq. Ft. - Based on Water					
			1 MPH	2 MPH	3 MPH	4 MPH	5 MPH	
AIXR11002VP	15	.12	.54	.27	.18	.13	.11	
	20	.14	.64	.32	.21	.16	.13	
	30	.17	.76	.38	.26	.19	.15	
	40	.20	.90	.45	.30	.22	.18	

Using the Boom Nozzles

Four things must be considered before spraying with the boom.

1. How much chemical must be mixed in the tank.
 2. Rate of spray (gallons per acre to be sprayed).
 3. What pressure (p.s.i.) will be used.
 4. Speed traveled (mph) while spraying.
- * Refer to the chemical label to determine your chemical mixture
 - * See the tip chart to determine the pressure to be used. The chart will also show the speed used when spraying.
 - * Start the pump and open the valve to the boom nozzles.
 - * Check the spray pattern. Usually you can see the coverage better on a solid concrete surface, such as a driveway.

Maintenance During/After Spraying

Periodically check the strainer and clean the screen on your intake line.

Proper care and maintenance will prolong the life of your sprayer.

After use, drain the tank and store or dispose of chemical properly. Fill the sprayer half way with clean water. Start the pump and allow the water to pump through the entire plumbing system and nozzles. Drain and then refill half full, add the recommended amount of a good quality tank cleaner, such as FIMCO Tank Neutralizer and Cleaner. (If no tank cleaner is available, you may substitute dish soap for this step, about 1-2 oz. per gallon). Turn pump on and circulate through system for 15 minutes and then spray out through boom and handgun nozzles. Refill sprayer half way with clean water and repeat. Follow the chemical manufacturer's disposal instructions of all wash or rinsing water. If boom or handgun nozzles need cleaning, remove them from the sprayer and soak in warm soapy water. Clean with a soft bristled brush or toothpick if necessary. Never use a metal object. Even the slightest damage can change the flow rate and spray distribution. Water rinse and dry the tips before storing.

WARNING: Some chemicals will damage the pump valves if allowed to soak untreated for a length of time! ALWAYS flush the pump as instructed after each use. DO NOT allow chemicals to sit in the pump for extended times of idleness. Follow the chemical manufacturer's instructions on disposal of all waste water from the sprayer.

Winter Storage

Prepare the sprayer for end-of-season storage by running RV antifreeze through the system. This will keep internal parts lubricated, protect against corrosion and keep the unit from freezing. *Note: RV antifreeze is non-toxic and biodegradable and generally safer for the environment than automotive antifreeze.*

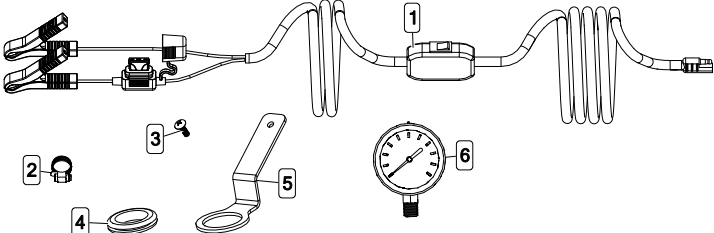
Before storing your sprayer for winter or long term storage, thoroughly clean and drain it as much as possible. Then pour enough pink RV antifreeze into the tank so that when the pump is turned on you can pump the antifreeze throughout the entire plumbing system, including the bypass. Make sure to operate the boom and handgun until you see pink fluid spraying from the nozzles. Leave any remaining antifreeze in the tank. Before your next usage, rinse the antifreeze from the sprayer with clean water.

It is nearly impossible to drain all of the water from the sprayer and any trapped water can freeze in cold weather and damage parts of the sprayer. Pumping the antifreeze through the system will displace the water and help prevent this damage.

Removing from storage: drain the antifreeze. Fill the tank with fresh water and run through the system. Dispose of antifreeze and flush water properly.

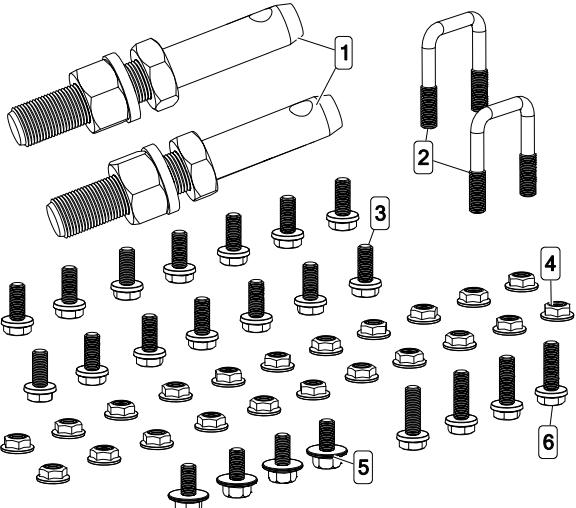
Troubleshooting

Pump will not run:	Check for loose wiring
	Make sure the ON/OFF switch is on
	Check the fuse
	Check for defective pressure switch
Low Pressure/Low Flow:	Check for a clogged strainer
	Check for proper voltage Try another 12-Volt battery
	Check for worn or dirty check valve
Pump surges:	Low flow may cause pump to surge
	Spray wand is adjusted for a small or fine spray pattern
	Slightly open bypass (if applicable) to overcome
	If needed, pressure switch may need to be adjusted Quarter turn at a time clockwise until surging stops
Pump continues to run:	Bypass is not completely closed
	System has leaks
	Check for worn or dirty check valve
Fuse blows:	Excessive voltage
	Improper adjustment of pressure switch
	Damaged or defective wiring harness
	Defective pressure switch



Part Bag (5281318)

Ref. #	Part #	Description	Qty
1	5277040	Lead Wire Assembly (14 ga, w/Switch), 120"	1
1.1	5157238	15 Amp Regular Blade Fuse	1
2	5051144	Hose Clamp, 3/8"	1
3	5117167	#10-24 x 0.625 PH Truss Head Mach Screw	1
4	5075014	Rubber Grommet (Black)	1
5	5038916	Handgun Bracket	1
6	5167031	Gauge, Liquid-Filled, 0-100 PSI	1

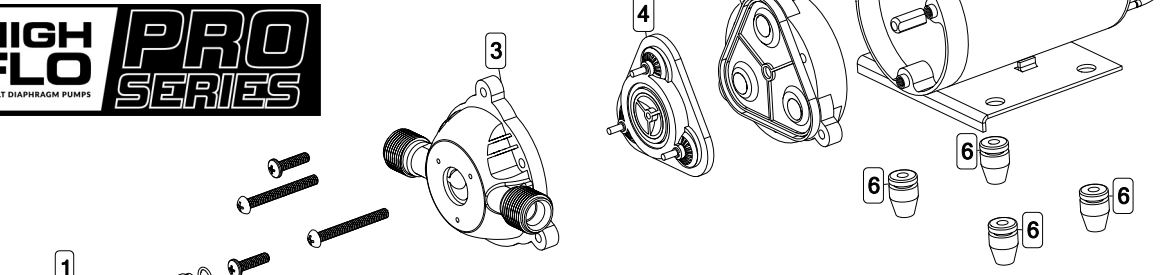


Bolt Bag (5280968)

Ref. #	Part #	Description	Qty
1	5101294	Lift Arm Pin - Cat 1	2
2	5034159	5/16-18 x 1.3125 x 1.875 Square U-Bolt	2
3	5117323	5/16-18 x 0.75 Flng Hex Bolt	14
4	5006307	5/16-18 Serrated Flng Hex Nut	22
5	5034531	5/16"-18 x 5/8" Flange Lock Screw	4
6	5117300	5/16-18 x 1.00 Flng Hex Bolt	4

STOP WARNING STOP
 DO NOT USE PUMP IN AN EXPLOSIVE ENVIRONMENT. DO NOT USE TO PUMP FLAMMABLE/COMBUSTIBLE FLUIDS, GASOLINE, KEROSENE, FUEL, OIL, ETC.

2.2 GPM Pump
Pump Model: 5151075
 Available Replacement Parts



Replacement Pump:
5281325

Ref. #	Part #	Description	Qty
1	5164299	Switch Assembly 100 PSI for 8000 Series	1
2	5143549	Pressure Switch Check Valve Kit, 8000 Series	1
3	5084112	Upper Housing 8000 Series 1/2 MNPT	1
4	5168760	8000 Series Valve Kit	1
5	5281599	2.2 PRO Drive Assembly, Geolast Diaphragm	1
6	5075029	Pump Mount Grommet	4



- Clean and rinse your pump after each use with Fimco Tank Neutralizer
- Winterize your pump or sprayer by rinsing, draining and running RV Antifreeze through it before storing for the winter.
- Use clean water for your spray mixture
- Store inside a building when not in use.



- Use to pump bleach.
- Use to pump gasoline or kerosene
- Leave your pump sit with spray mixture in it for extended periods
- Use dirty or unfiltered water for spraying

CAUTION
PRESSURE SWITCH OPERATION
 Pressure switch is pre-set at the factory. Improper adjustment of the pressure switch, may cause severe overload or premature failure. If the pump is subjected to rapid cycling during normal operation, or infrequent periods, damage may occur.

Troubleshooting the Pump:

Motor does not run:

- Check for loose wiring connection(s).
- Make sure the 'ON/OFF' switch in the lead wire assembly is in the 'ON' position. "I" is the 'ON' position and 'O' is the 'OFF' position.
- Check for defective pressure switch. Refer to instructions on next page.
- Check for low voltage at the power supply.

Pump does not prime:

- Check for air leaks in supply line.
- Check for debris in the check valve assembly.
- Check for defective check valve.
- Check for clogged strainer/filter.
- Check for cracks in the pump housing.
- Check for empty product supply.

Low Pressure/Low Flow:

- Check for leaks in the discharge line.
- Check for restriction in the discharge line.
- Check for debris in nozzle orifice.
- Check for clogged strainer.
- Check for proper voltage—try another 12-volt battery.

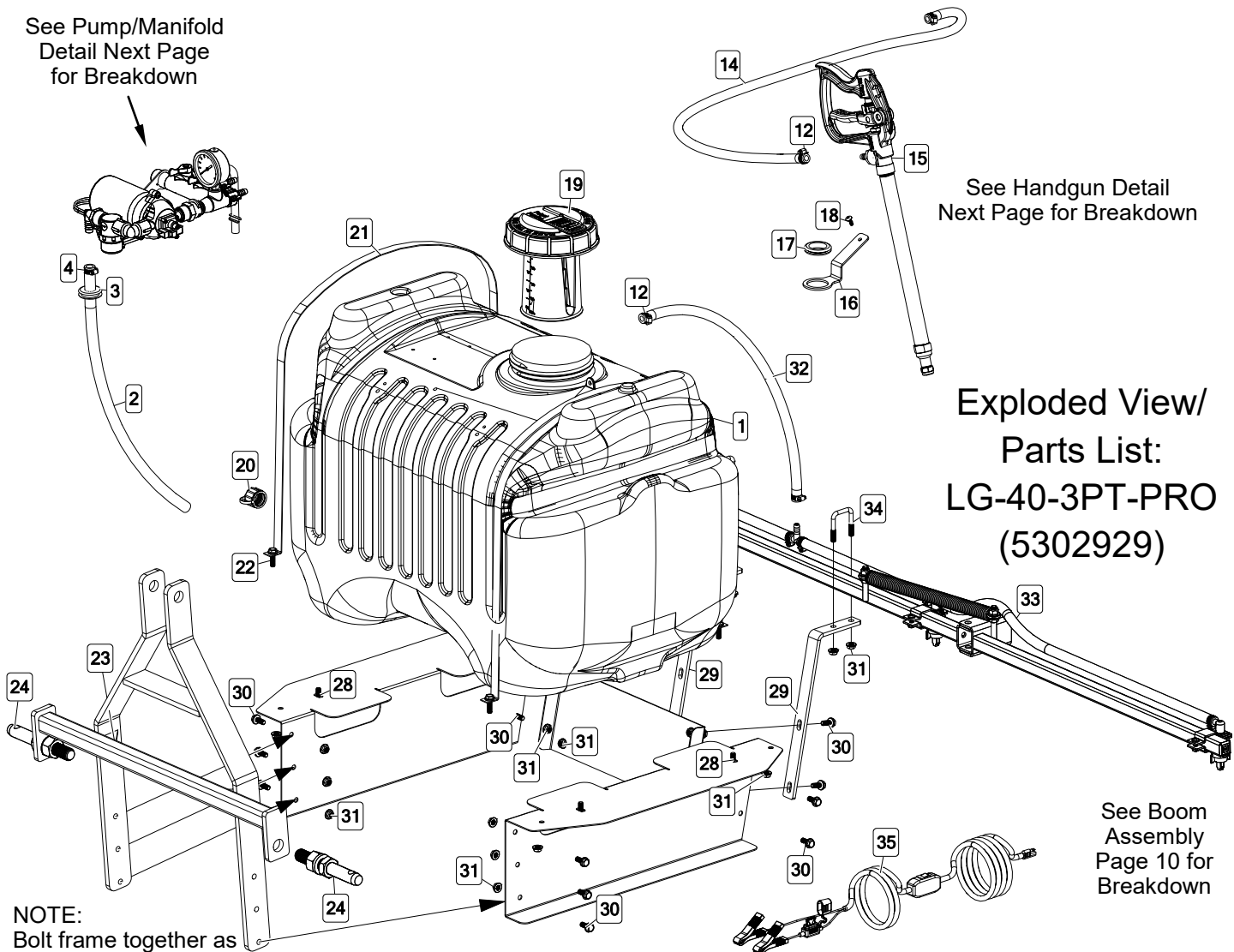
Pulsating flow (surging):

- Suction leak may cause pump to surge.
- Spray wand is adjusted for a small or fine spray pattern.
- Slightly open bypass (if applicable) to overcome.
- Check for defective pressure switch.
- Check for leaks in the discharge line.
- Check for restriction in the discharge line.
- Check for debris in nozzle orifice.
- Discharge hose may be too long.
- Check for clogged strainer.

Motor continues to run after discharge is shut off:

- Check for empty product supply.
- Check for open bypass valve. (if equipped)
- Check for low voltage.
- Check for leak in discharge line.
- Check for defective pressure switch.
- System has leaks.

See Pump/Manifold
Detail Next Page
for Breakdown



See Handgun Detail
Next Page for Breakdown

Exploded View/ Parts List: LG-40-3PT-PRO (5302929)

See Boom
Assembly
Page 10 for
Breakdown

NOTE:
Bolt frame together as
shown, with the proper hardware. See assembly
instructions earlier in this manual.

Ref. #	Part #	Description	Qty
1	5169296	40 Gallon Tank (White/Top Mount Pump)	1
2	5020307	Hose, 1/2"-1 Brd. x 23"	1
3	5075016	Rubber Grommet	1
4	5051114	Hose Clamp, 1/2"	1
5	5281317	Pro Series 2.2 Pump Assembly	1
5.1	5281290	ShurFlo Strainer Assembly	1
5.1.1	5149158	Poly Elbow, 1/2" FNPT x 1/2" Hose Barb	1
5.1.2	5116417	Poly Inline Strainer 1/2 MNPT	1
5.1.2.1	5046451	Poly Strainer Cap, 1/2" NPT	1
5.1.2.2	5072533	Strainer O-Ring	1
5.1.2.3	5116452	Strainer Screen	1
5.1.2.4	5058205	Clear Strainer Bowl	1
5.1.3	5010236	Poly Elbow, 1/2" FNPT x 1/2" FNPT	1
5.2	5151075	Pro Series Pump: 12V, 2.2 GPM, 100 PSI, 1/2" MSPT	1
5.3	5117168	#10-24 x 1.00 PH Truss Head Mach Screw	3
5.4	5005456	3/4" Port to 1/2" Female NPT Adapter	1
6	5005457	Port Adapter Clip	1
7	5281538	Quick Connect Manifold Assembly	1
7.1	5302347	Quick Connect Manifold (Main Body Only)	1
7.1.1	5072514	O-Ring - Pump Port Connection	1
7.2	5143430	Flat Washer - Hose Barb Seal	3
7.3	5143431	QC Manifold - 3/8" Hose Straight Barb	3
7.4	5143429	Quick Connect Quarter Turn Cap	3
8	5037945	Manifold Support Brace	1
9	5117166	#10-24 x 1.25 PH Truss Head Mach Screw	1
10	5167031	Gauge, Liquid-Filled, 0-100 PSI	1
11	5100961	Formed Bypass Tube	1
12	5051144	Hose Clamp, 3/8"	5

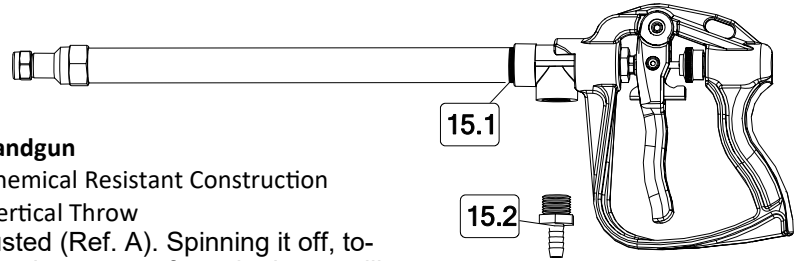
Ref. #	Part #	Description	Qty
13	5075018	Grommet	1
14	5020527	Hose, 3/8"-1 Brd. x 25 Ft.	1
15	5163150	22" HP Spray Gun with 3/8" Hose Barb	1
15.1	5163136	High Pressure Aluminum Spray Gun 22"	1
15.2	5067130	Poly Fitting, 1/2" MNPT x 3/8" HB	1
16	5038916	Handgun Bracket	1
17	5075014	Rubber Grommet (Black)	1
18	5117167	#10-24 x 0.625 PH Truss Head Mach Screw	1
19	5058200	32 oz -1000 ml Multi-LID	1
20	5274373	Drain Plug Assembly	1
21	5133271	40 Gallon Tank Strap	2
22	5117300	5/16-18 x 1.00 Fling Hex Bolt	4
23	5277639	Front Frame Weldment	1
24	5101294	Lift Arm Pin - Cat 1	2
25	5027278	Bolt Together 3PT Right Side	1
26	5027276	Back Tie Plate	1
27	5027277	Bolt Together 3PT Left Side	1
28	5034531	5/16"-18 x 5/8" Flange Lock Screw	4
29	5028314	Boom Support Bar	2
30	5117323	5/16-18 x 0.75 Fling Hex Bolt	14
31	5006307	5/16-18 Serrated Fling Hex Nut	22
32	5020534	Hose, 3/8"-1 Brd. x 21"	1
33	5302290	4-Nozzle Boom Assembly	1
34	5034159	5/16-18 x 1.3125 x 1.875 Square U-Bolt	2
35	5277040	Lead Wire Assembly (14 ga. w/Switch), 120"	1
35.1	5157238	15 Amp Regular Blade Fuse	1

High Pressure Handgun Detail #5163150

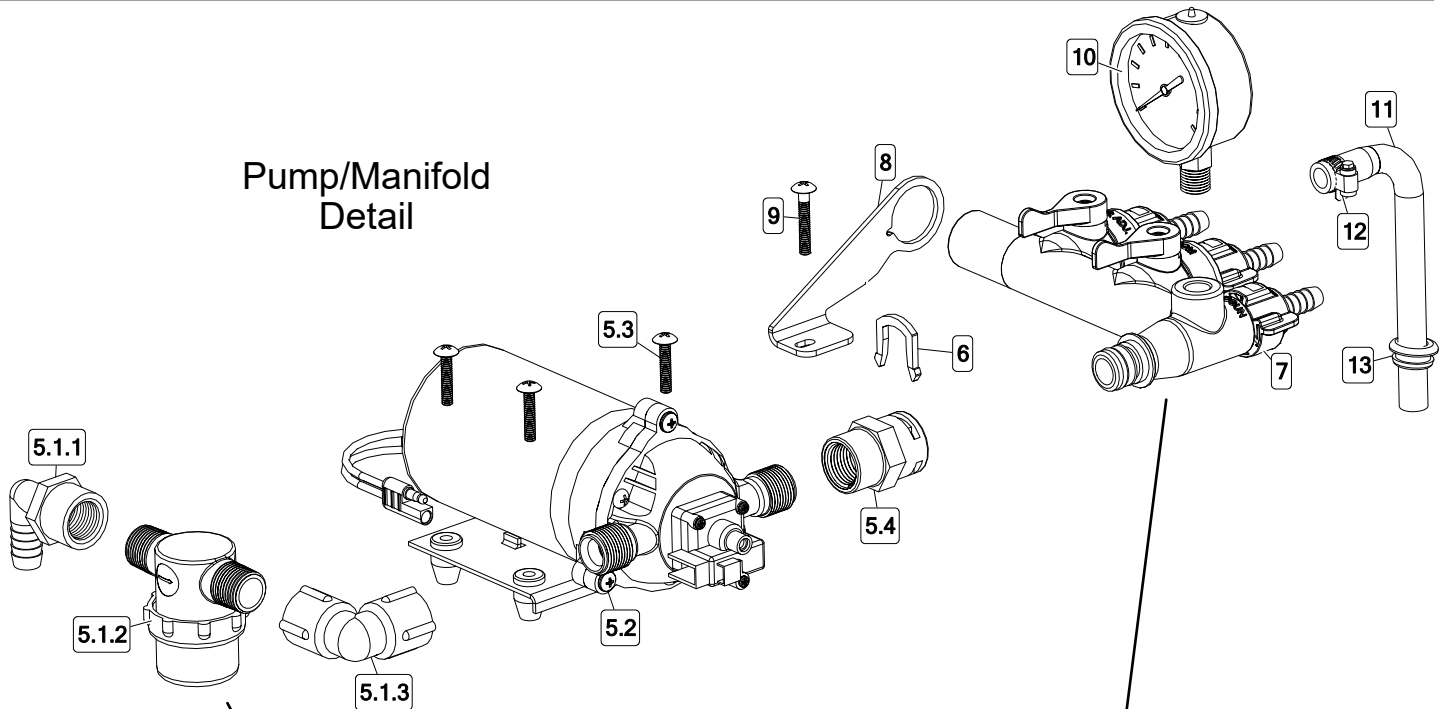
Long Range Pro Series Handgun

- No Drip Shut Off • Easy Pull Trigger Handle • Chemical Resistant Construction
- 38' Horizontal Throw & 27' Vertical Throw

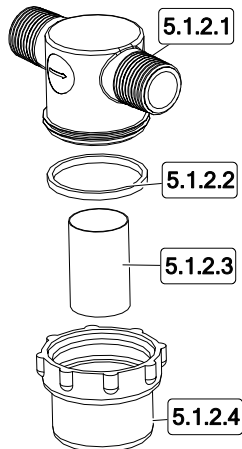
To adjust the spray pattern, the nut needs to be adjusted (Ref. A). Spinning it off, towards the lever, will make a cone pattern and spinning it on, away from the lever, will make a stream. The lever (Ref. B), is the lock that can be used to lock the lever when pulled, holding the valve open. Squeezing the trigger, will release the lock.



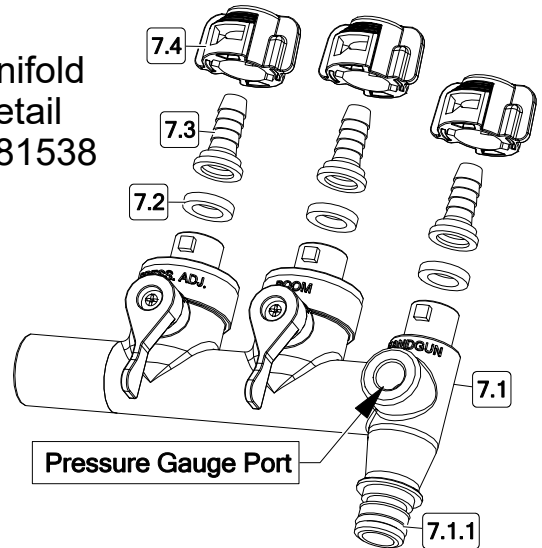
Pump/Manifold Detail



Strainer Detail #5116417

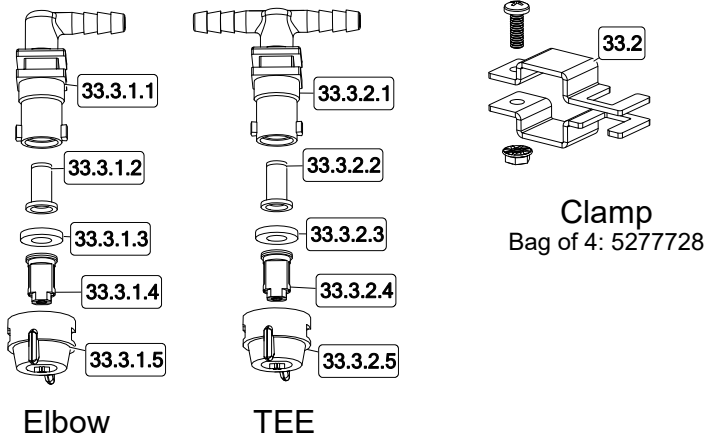
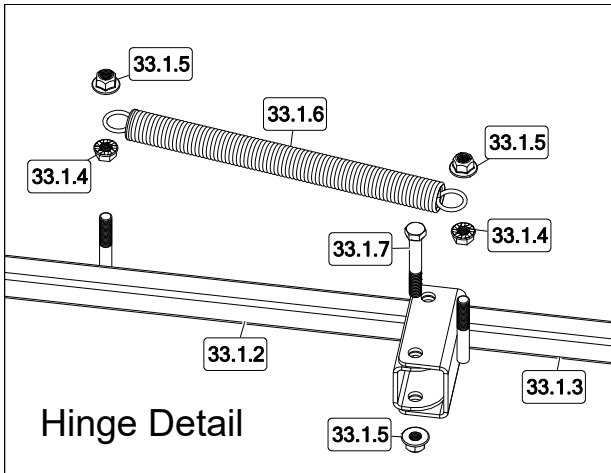
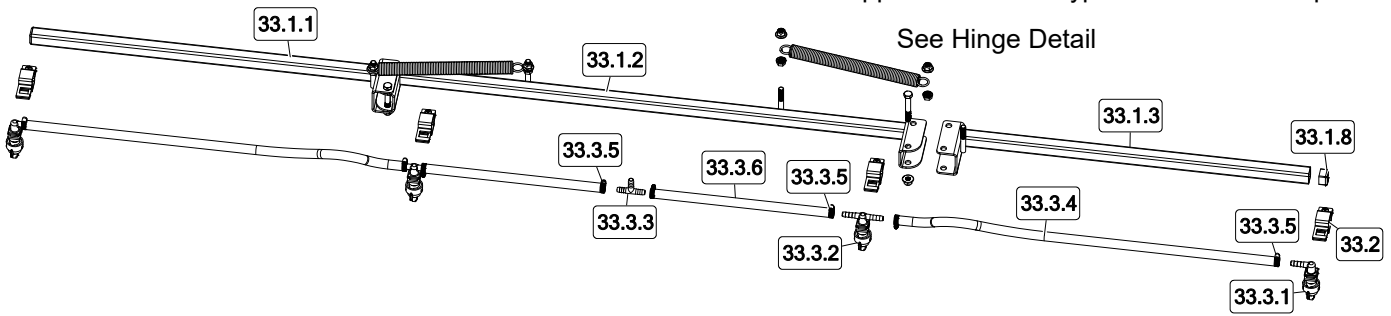


Manifold Detail #5281538



4-Nozzle Boom Assembly (5302290) (with 3/8" Hose, 1" Sq. Tubing & AIXR11002VP Tips)

Opposite side has typical hardware setup

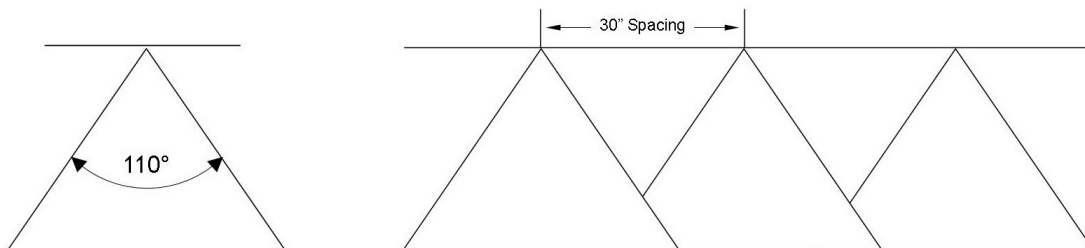


Ref. #	Part #	Description	Qty
33	5302290	4-Nozzle Boom Assembly (BK-40A)	1
33.1	5277778	4-Nozzle Boom Only	1
33.1.1	5277832	Outer Boom Weldment 1" Sq. Tube L.H.	1
33.1.2	5277831	Center Boom Weldment 1" Sq. Tube	1
33.1.3	5277833	Outer Boom Weldment 1" Sq. Tube R.H.	1
33.1.4	5006259	3/8-16nc Hex Flanged Whiz Nut Gr. 5	4
33.1.5	5006345	3/8-16nc Hex Flanged Toplock Nut Gr. 5	6
33.1.6	5019228	Extension Spring	2
33.1.7	5034169	H.H.C.S., 3/8"-16 x 2 1/2"	2
33.1.8	5046106	Square Cap, Black (1" Square Tube)	2
33.2	5277923	Nozzle Clamp (1" Sq. Tube)	4
33.3	5277694	4-Nozzle Harness (3/8")	1
33.3.1	5281304	"ELL" Nozzle Sub-Assembly (3/8")	2
33.3.1.1	5056113	Single Hose Shank (3/8" Hose)	1
33.3.1.2	5143543	Check Valve Strainer, 50 Mesh, 5 PSI	1

Ref. #	Part #	Description	Qty
33.3.1.3	5016157	Seat Washer (QJ Caps)	1
33.3.1.4	5018371	Air-Induction XR Flat Spray Tip (AIXR11002VP)	1
33.3.1.5	5046219	Quick TeeJet Cap ONLY (Yellow)	1
33.3.2	5281307	"TEE" Nozzle Sub-Assembly (3/8")	2
33.3.2.1	5056114	Double Hose Shank (3/8" Hose)	1
33.3.2.2	5143543	Check Valve Strainer, 50 Mesh, 5 PSI	1
33.3.2.3	5016157	Seat Washer (QJ Caps)	1
33.3.2.4	5018371	Air-Induction XR Flat Spray Tip (AIXR11002VP)	1
33.3.2.5	5046219	Quick TeeJet Cap ONLY (Yellow)	1
33.3.3	5086025	Poly Hose Tee, 3/8" HB	1
33.3.4	5020523	Hose, 3/8"-1 Brd. x 31"	2
33.3.5	5051144	Hose Clamp, 3/8"	8
33.3.6	5020522	Hose, 3/8"-1 Brd. x 13-3/4"	2

Based on the minimum overlap required to obtain uniform distribution with 110° tips and 30" spacing.
Suggested Minimum Spray Height: 20"-22" above what is being sprayed (to plant, not ground).
Optimum Spray Height: 20"

- 110° wide, tapered flat spray angle with air induction technology for better drift management
- Made of 2-piece UHMWPE polymer construction which provides excellent chemical resistance, including acids, as well as exceptional wear life
- Compact size to prevent tip damage
- Excellent for systemic products and drift management



NOTES:

Warranty Info

LIMITED WARRANTY FOR NEW FIMCO, IND. EQUIPMENT

WHO MAY USE THIS LIMITED WARRANTY. This limited warranty (the "Limited Warranty") is provided by Fimco, Ind. to the original purchaser ("you") of the Equipment (as defined below) from Fimco, Ind. or one of Fimco, Ind.'s authorized dealers. This Limited Warranty does not apply to any subsequent owner or other transferee of the Equipment. THIS LIMITED WARRANTY GIVES YOU SPECIFIC LEGAL RIGHTS, AND YOU MAY ALSO HAVE OTHER RIGHTS WHICH VARY FROM STATE TO STATE.

WHAT THIS LIMITED WARRANTY COVERS AND FOR HOW LONG. Fimco, Ind. warrants that any new Equipment will be free from defects in material and workmanship for a period of **one (1) year** (homeowner), **90 days** (commercial user), after delivery of the Equipment to you (the "Warranty Period"). The Warranty Period is not extended if Fimco, Ind. repairs or replaces the Equipment.

WHAT IS NOT COVERED BY THIS LIMITED WARRANTY. This Limited Warranty does not apply to: (1) used Equipment; (2) any Equipment that has been altered, changed, repaired or treated since its delivery to you, other than by Fimco, Ind. or its authorized dealers; (3) damage or depreciation due to normal wear and tear; (4) defects or damage due to failure to follow Fimco, Ind.'s operator's manual, specifications or other written instructions, or improper storage, operation, maintenance, application or installation of parts; (5) defects or damage due to misuse, accident or neglect, "acts of God" or other events beyond Fimco, Ind.'s reasonable control; (6) accessories, attachments, tools or parts that were not manufactured by Fimco, Ind., whether or not sold or operated with the Equipment; or (7) rubber parts, such as tires, hoses and grommets.

HOW TO OBTAIN WARRANTY SERVICE. To obtain warranty service under this Limited Warranty, you must (1) provide written notice to Fimco, Ind. of the defect during the Warranty Period and within **thirty (30)** days after the defect becomes apparent or the repair becomes necessary, at the following address: Fimco, Ind., 1000 Fimco Lane, North Sioux City, SD 57049; and (2) make the Equipment available to Fimco, Ind. or an authorized dealer within a reasonable period of time. For more information about this Limited Warranty, please call: **800-831-0027**.

WHAT REMEDIES ARE AVAILABLE UNDER THIS LIMITED WARRANTY. If the conditions set forth above are fulfilled and the Equipment or any part thereof is found to be defective, Fimco, Ind. shall, at its own cost, and at its option, either repair or replace the defective Equipment or part. Fimco, Ind. will pay for shipping and handling fees to return the repaired or replacement Equipment or part to you.

LIMITATION OF IMPLIED WARRANTIES AND OTHER REMEDIES. THE REMEDIES DESCRIBED ABOVE ARE YOUR SOLE AND EXCLUSIVE REMEDIES, AND FIMCO, IND.'S SOLE LIABILITY, FOR ANY BREACH OF THIS LIMITED WARRANTY. TO THE EXTENT APPLICABLE, ANY IMPLIED WARRANTIES, INCLUDING, WITHOUT LIMITATION, THE IMPLIED WARRANTIES OF MERCHANTABILITY AND FITNESS FOR A PARTICULAR PURPOSE, SHALL BE LIMITED IN DURATION TO THE WARRANTY PERIOD, AND THE REMEDIES AVAILABLE FOR BREACH THEREOF SHALL BE LIMITED TO THE REMEDIES AVAILABLE UNDER THIS EXPRESS LIMITED WARRANTY. SOME STATES DO NOT ALLOW LIMITATIONS ON HOW LONG AN IMPLIED WARRANTY LASTS, SO THE ABOVE LIMITATION MAY NOT APPLY TO YOU. IN NO EVENT SHALL FIMCO, IND.'S LIABILITY UNDER THIS LIMITED WARRANTY EXCEED THE ACTUAL AMOUNT PAID BY YOU FOR THE DEFECTIVE EQUIPMENT, NOR SHALL FIMCO, IND. BE LIABLE, UNDER ANY CIRCUMSTANCES, FOR ANY CONSEQUENTIAL, INCIDENTAL, SPECIAL OR PUNITIVE DAMAGES OR LOSSES, WHETHER DIRECT OR INDIRECT. SOME STATES DO NOT ALLOW THE EXCLUSION OR LIMITATION OF INCIDENTAL OR CONSEQUENTIAL DAMAGES, SO THE ABOVE LIMITATION OR EXCLUSION MAY NOT APPLY TO YOU.