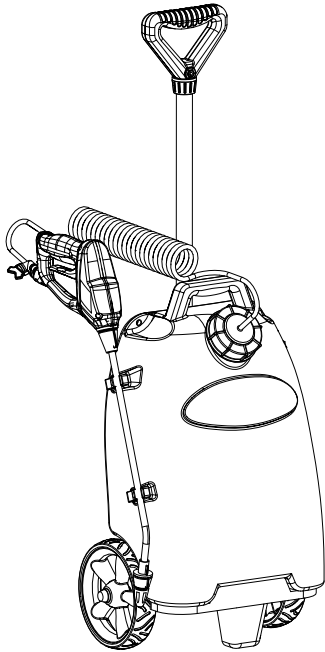


OWNER'S MANUAL



Model: LG-4-3-1 (5302314)

(4 Gallon, 3.6 V, Spot Sprayer)

Technical Specifications

- 4 Gallon Corrosion-Resistant Polyethylene Tank
- Rechargeable Handgun
- Continuous Use Over 1 Hour
- 2.5 Hours Recharge Time
- Removable base for handheld spraying
- Ergonomic Back Pack Straps for back pack spraying
- 6-3/4" Wheels with high ground clearance
- **Unit height with base = 39"**
- **Tank height without base = 19"**

NOTE:

It is VERY important for you to test your sprayer with plain water before actual spraying is attempted.

Allow 20 seconds for the fluid to reach the handgun and begin spraying. If the fluid does not reach the handgun and drains out of the hose when the trigger is released, the hose is not connected to the handgun correctly. Disconnect and reconnect the quick connect shut off and begin priming again. If the fluid does not reach the handgun and stays in the coiled hose, lower the handgun below water level, this will allow the pump to prime.

Operation

Fill the tank 1/2 full with water first and then add the chemical slowly, mixing as you pour the chemical into the tank and then fill the rest of the way. You may use the handgun to spray into the solution in order to mix the chemical and water.

After spraying, rinse and clean the equipment both inside and out. Flush the pumping system with water.

Be sure to read the chemical label(s) before application!

After Spraying & Winter Storage

After use, fill the sprayer tank part way with water. Start the sprayer and allow the clear water to be pumped through the plumbing system and out through the spray nozzle. Refill the tank about half full with plain water and use FIMCO Tank Neutralizer and Cleaner and repeat cleaning instructions above. Flush the entire sprayer with the neutralizing/cleaning agent, then flush out one more time with plain water. Follow the chemical manufacturer's disposal instructions of all wash or rinsing water.

WARNING: Some chemicals will damage the plumbing components if allowed to soak untreated for a length of time! ALWAYS flush the system as instructed after each use.

Drain all water out of your sprayer. Store in a place where temperatures will not be in the freezing range.

Proper care and maintenance will prolong the life of your sprayer.

BEFORE RETURNING THIS PRODUCT
FOR ANY REASON, PLEASE CALL

1-800-831-0027

IF YOU SHOULD HAVE A QUESTION OR
EXPERIENCE A PROBLEM WITH YOUR
FIMCO INDUSTRIES PRODUCT:

1-800-831-0027

BEFORE YOU CALL, PLEASE HAVE THE
FOLLOWING INFORMATION AVAILABLE:
SALES RECEIPT & MODEL NUMBER. IN MOST
CASES, A FIMCO INDUSTRIES EMPLOYEE CAN
RESOLVE THE PROBLEM OVER THE PHONE.

General Information

Thank you for purchasing this product. The purpose of this manual is to assist you in operating and maintaining your lawn & garden spot sprayer. Please read it carefully, as it furnishes information which will help you achieve years of trouble-free operation.

Warranty

Products are warranted for one year from date of purchase against manufacturer or workmanship defects for home owner usage and 90 days for commercial usage.

For technical assistance, visit our website @ www.fimcoindustries.com or call: **TOLL FREE @ 1-800-831-0027** Our Technical Support Representatives will be happy to help you.

To obtain prompt, efficient service, always remember to give the following information...

- Correct Part Description and/or part number
- Model #/Serial # of your sprayer

Part descriptions and numbers can be obtained from the illustrated parts list section(s) of this manual.



www.fimcoindustries.com

1000 FIMCO Lane, P.O. Box 1700, North Sioux City, SD 57049

Toll Free Phone: 800-831-0027 : Toll Free Fax: 800-494-0440

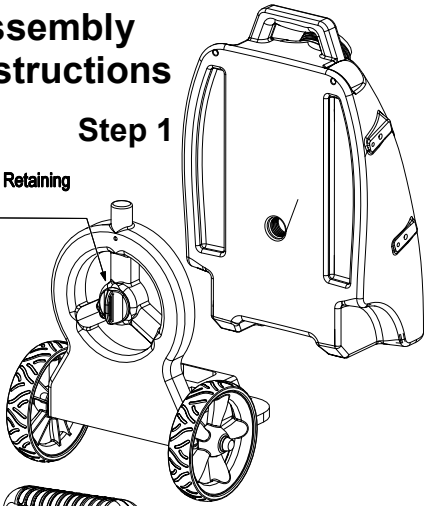
[5008438

(04/17)]

Assembly Instructions

Step 1

Tank Retaining Bolt

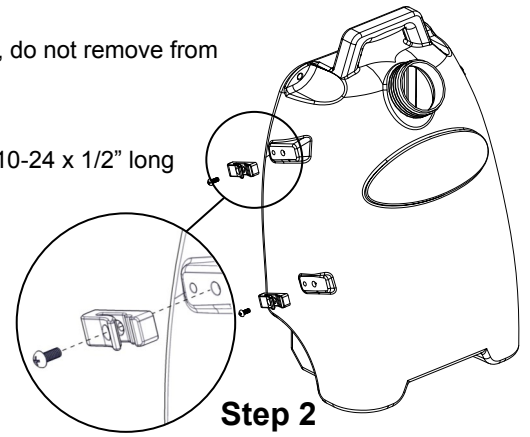


Step 1

Unscrew Tank Retaining Bolt from tank, do not remove from black base. Remove tank from base.

Step 2

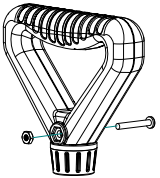
Install qty. (2) wand clips with qty. (2) #10-24 x 1/2" long screws with a #2 Phillips screwdriver.



Step 2

Step 3

Push handle onto handle tube and align holes. Insert qty. (1) #10-24 hex nut into hex recess in handle. Insert qty. (1) #10-24 x 1-3/8" screw through the handle and tube. Tighten with #2 Phillips screwdriver.



Step 4

Push handle tube into base and align holes. Insert qty. (1) #10-24 hex nut into hex recess in base. Insert qty. (1) #10-24 x 1-3/8" screw through handle tube and base. Tighten with #2 Phillips screwdriver.

Step 3

Step 4

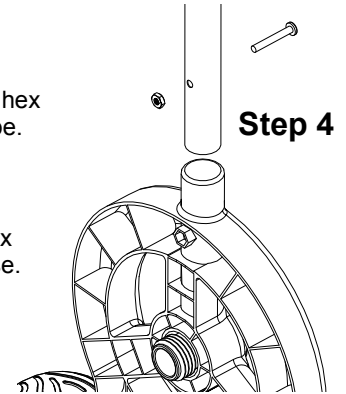
Step 5

Replace tank on base and secure in place with the Tank Retaining Bolt.

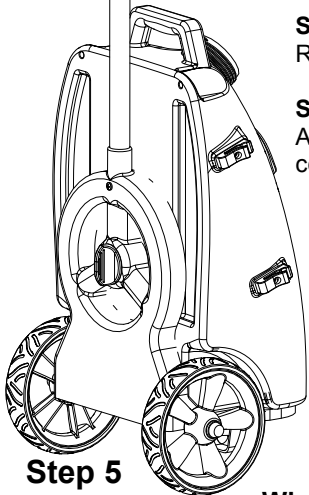
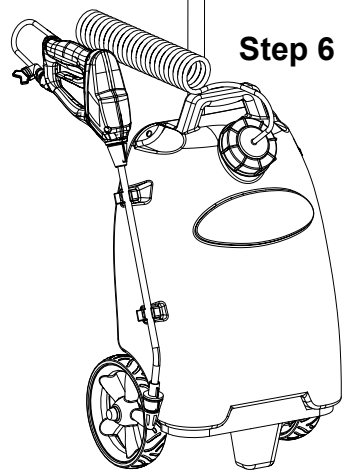
Step 6

All that is left to complete assembly of your sprayer is to attach the coiled hose assembly and handgun assembly to the unit.

*****The Sprayer should now be ready to use*****



Step 6

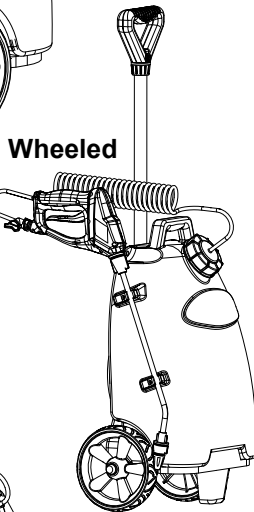


Step 5

Sprayer Conversions:

Wheeled Dolly Sprayer

When the tank is attached to the base, the unit is ready to spray as a wheeled Dolly Sprayer. The tank easily pulls behind you without having to carry the weight. Works best with finished lawns.

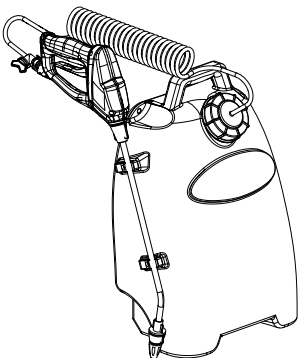


Wheeled

Handheld Sprayer

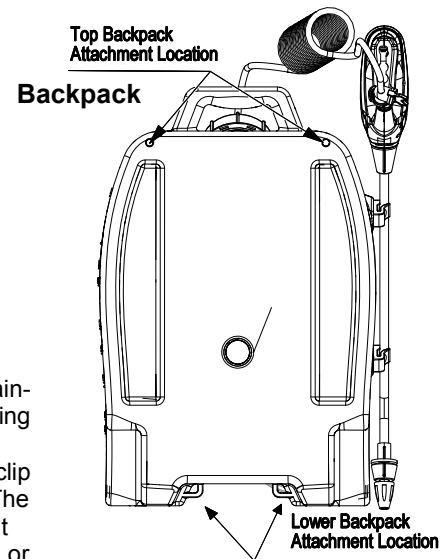
To convert the sprayer to a Handheld Sprayer, turn the tank retaining bolt counter clockwise until the tank is loose. To reattach the tank, set the tank on the base and turn the tank retaining bolt clockwise. The tank retaining bolt will remain attached to the base. When the tank is removed from the base, the tank is easily carried by hand. Works best for light spraying on uneven ground or in between landscaping.

Handheld



Backpack Sprayer

To convert the sprayer to a Backpack Sprayer, turn the tank retaining bolt counter clockwise until the tank is loose. The tank retaining bolt will remain attached to the base. When the tank is removed from the base, the backpack straps can be attached. The upper clip should be attached to the Top Backpack Attachment Location. The lower clip should be attached to the Lower Backpack Attachment Location. Works best for long distance spraying on rough terrain or



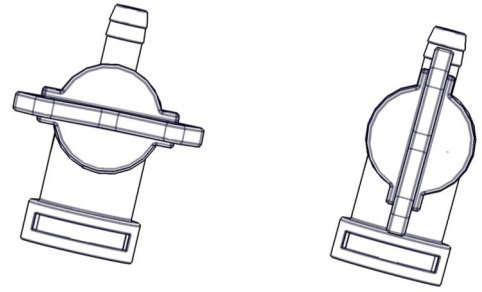
Top Backpack Attachment Location

Backpack

Lower Backpack Attachment Location

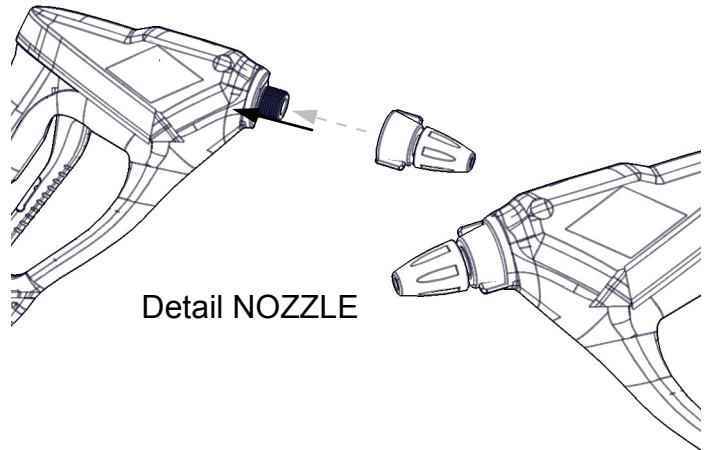
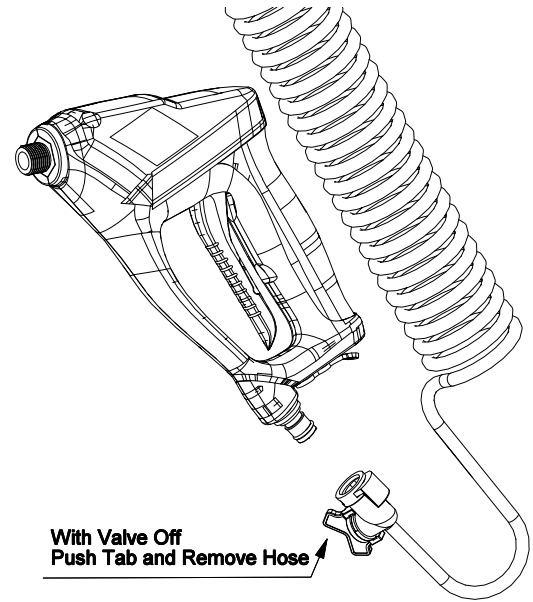
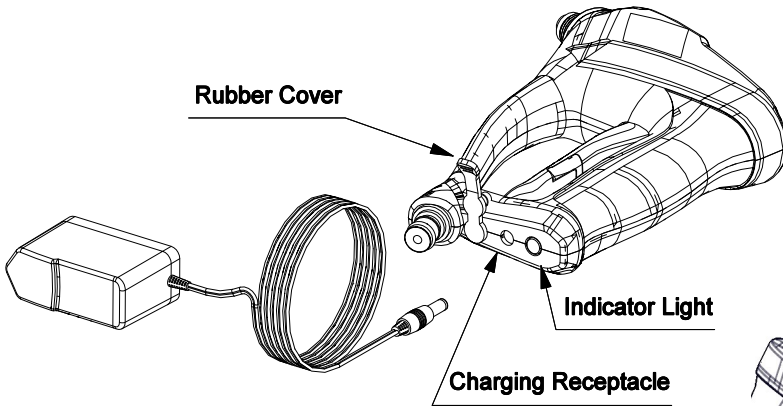
Handgun Charging

1. Follow the 'After Spraying & Winter Storage' instructions to clean the tank and handgun plumbing
2. Turn Shut Off Valve to the Off position
3. Disconnect hose from handgun by pressing the release button
4. Pump remaining clean water out of handgun
5. Lightly pull and rotate the rubber cover, revealing the charging jack and charging indicator light. This is located at the base of the handgun
6. Plug the charger into a 110 Volt AC electrical receptacle
7. Insert the male charging plug into the female jack at the base of the spray wand. The light will turn solid red, indicating charging has begun. If the red light blinks, verify the output voltage of the charger is 4.8V @ 1.3A by reading the charger decal. If the charger is the correct voltage, continue charging and it will become solid red within 10 minutes. If the light continues to blink, the charger is the incorrect voltage and should be disconnected.
8. The light will turn green when charging is complete. Then disconnect the plug from the handgun and the charger from the electrical receptacle when the charging operation is complete
9. Rotate and re-plug in the rubber cover over the charging jack. This will prevent dirt and dust from getting inside the receptacle.



Off Position

On Position



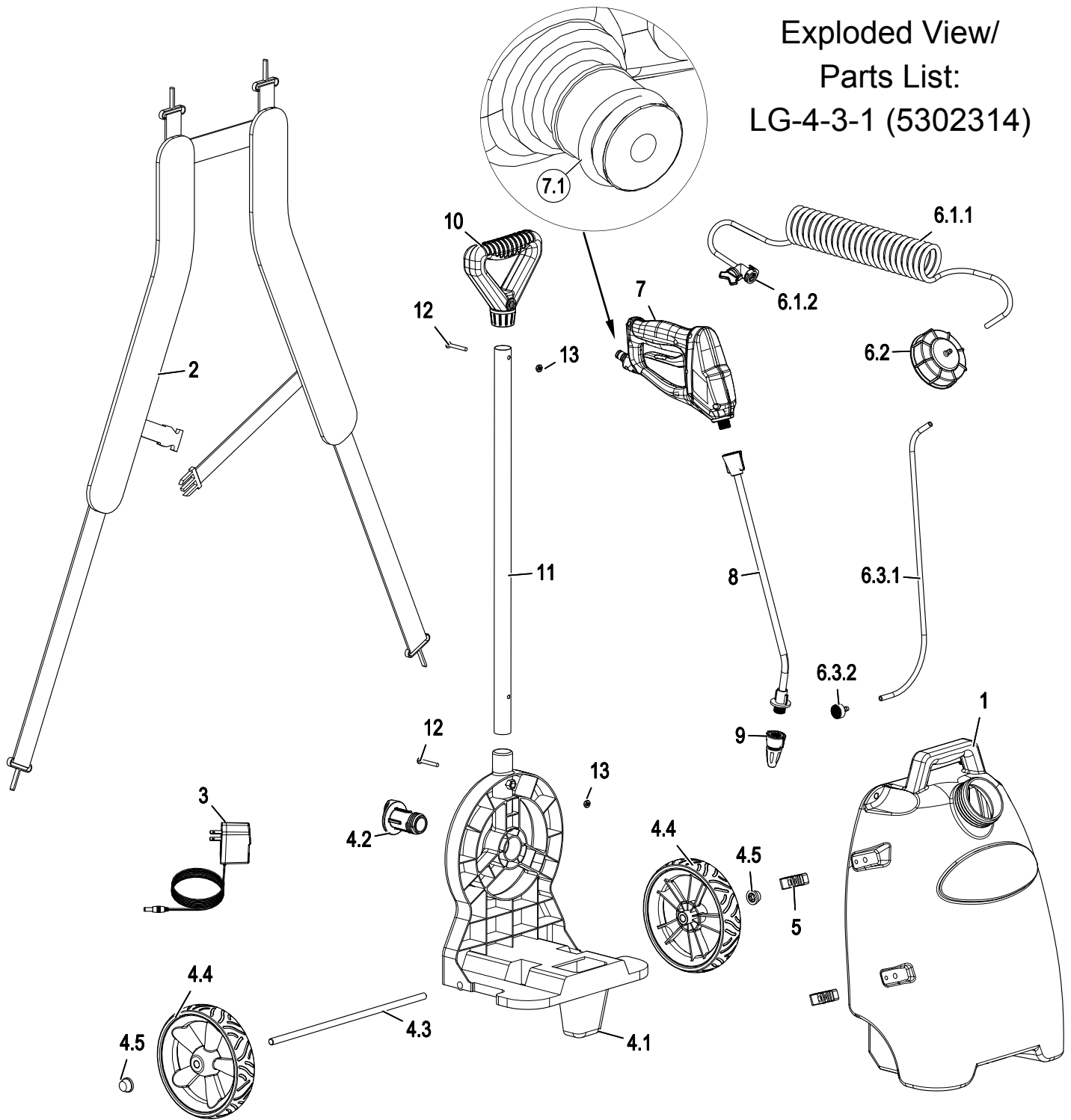
Detail NOZZLE

Handgun Wand and Nozzle Options

The Removable Nozzle Assembly can be installed on the Removable Wand to spray closer to the desired location. The Removable Nozzle Assembly can be installed directly on the handgun for more compact spraying (See Detail NOZZLE)

Ref. #	Part #	Description	Qty
1	5163127	Handgun 3.6V Lithium Gear Pump	1
1.1	5072532	O-Ring (9.8 mm Dia. x 2.0 mm)	1
2	5100819	Removable Wand	1
3	5278244	Removable Nozzle Assembly	1

Exploded View/ Parts List: LG-4-3-1 (5302314)



Ref. #	Part #	Description	Qty
1	5169322	LG-4-3-1 Tank	1
2	5051150	Back Pack Straps	1
3	5157239	3.6V Charger	1
4	5278232	4 Gal Base Assembly	1
4.1	5029102	4 Gal Base (Injection Mold)	1
4.2	5034790	Tank Retaining Bolt	1
4.3	5024134	Axle 3/8" X 13 3/16"	1
4.4	5021126	6.75" Wheel 3/8" Axle	2
4.5	5046442	Plastic Axle Cap	2
5	5274880	Handgun Clips & Screws (Pkg/2) (#10-24 Thread)	1
6	5278233	Handgun Hose Assembly	1
6.1	5278235	Coiled Hose Assembly	1
6.1.1	5020559	Coiled Handgun Hose	1
6.1.2	5143444	Quick Connect Shut Off	1

Ref. #	Part #	Description	Qty
6.2	5046443	3" Hose Barb Lid	1
6.3	5278236	Pick-Up Hose Assembly	1
6.3.1	5020560	Pick Up Hose	1
6.3.2	5116449	Strainer Weight	1
7	5163127	Handgund 3.6V Lithium Gear Pump	1
7.1	5072532	O-Ring (9.8mm Dia. x 2.0 mm)	1
8	5100819	Removable Wand	1
9	5278244	Removable Nozzle Assembly	1
10	5078220	Handle	1
11	5100818	Handle Tube	1
12	5117335	Machine Screw #10-24 1-3/8" LG SS	2
13	5006387	#10-24 H13/64 Hex Flange Locknut	2