

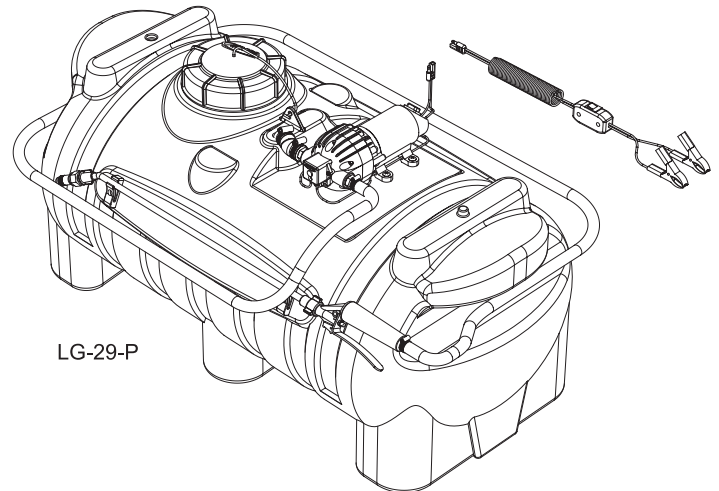
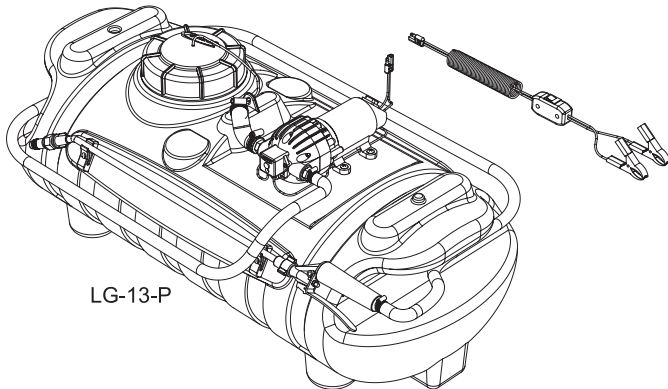
**5300393**

**MODEL NO. LG-13-P**

**5300632**

**MODEL NO. LG-29-P**

**12 VOLT LAWN & GARDEN SPRAWER  
ASSEMBLY/OPERATION INSTRUCTIONS/PARTS**



**GENERAL INFORMATION**

The purpose of this manual is to assist you in operating and maintaining your lawn and garden sprayer. Please read it carefully as it furnishes information which will help you achieve years of dependable trouble free operation.

**WARRANTY / PARTS / SERVICE**

Products are warranted for one year from date of purchase against manufacturer or workmanship defects.

Your authorized dealer is the best source of replacement parts and service. To obtain prompt, efficient service, always remember to give the following information:

1. Correct part description and part number.
2. Model Number of your sprayer.
3. Serial Number of your sprayer.

Part description and part numbers can be obtained from the illustrated parts list section of this manual.

Whenever you need parts or repair service, contact your distributor / dealer first. For warranty work always take your original sales slip, or other evidence of purchase date, to your distributor / dealer.

**TECHNICAL SPECIFICATIONS**

- Corrosion Resistant Polyethylene Tank.
- 12 Volt Diaphragm Pump - Pressure Switch.
- 15 Foot Handgun Hose.

**ASSEMBLY**

The sprayer is fully assembled at the factory, and the only assembly necessary is to hook up the wiring to an existing 12 volt power source. The red wire of the two wire set must be connected to the positive post on the battery or the "Hot" connection on a switch or to the ammeter. The brown wire may be grounded or connected to the negative battery post.

It is important to test the sprayer with plain water before actual spraying is attempted. This will enable you to check the sprayer for leaks in the plumbing system.

**OPERATION**

The pump on the sprayer is equipped with a pressure switch that is factory set at 60 PSI. The handgun may be shut off at anytime when the pump system is running and the pump will shut down when the pressure reaches 60 PSI.

The handgun has an adjustable nozzle which allows the spray to be adjusted from a cone shaped fine mist to a straight stream.



WWW.FIMCOINDUSTRIES.COM

If it becomes necessary to clean the screen in the suction line strainer, remove the screen from the end of the intake tube. The screen may now be tapped or flushed with clear water for cleaning.

**WARNING:** Some chemicals will damage the pump valves if allowed to soak untreated for a length of time. Always flush the pump with water after use. Do not allow chemicals to sit in pump for extended times of idleness.

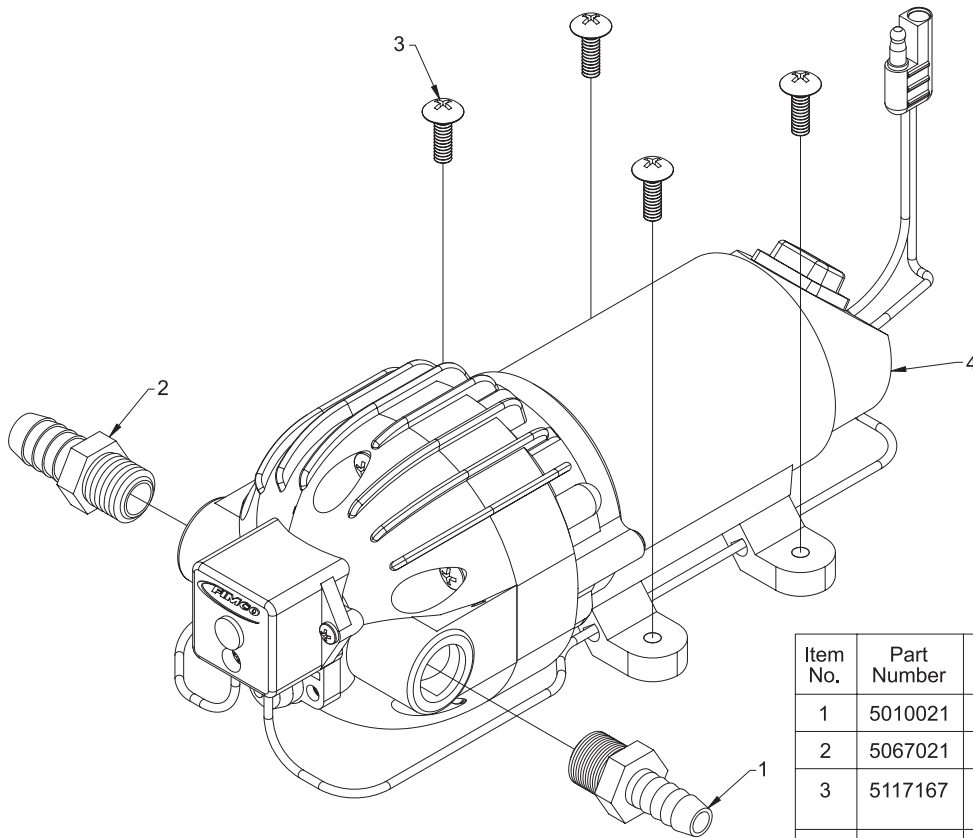
### AFTER SPRAYING

After use fill the sprayer part way with water, start the sprayer and allow clear water to be pumped through the plumbing system and out through the handgun. Use the handgun on the sprayer to thoroughly wash all internal parts of the tank and tank cover.

Refill the tank about half full with plain water and use a chemical neutralizer such as Nutra-Sol or equivalent and repeat cleaning instructions above. Flush the entire sprayer with the neutralizing agent. Follow the chemical manufacturers disposal instructions of all wash or rinsing water.

### WINTER STORAGE

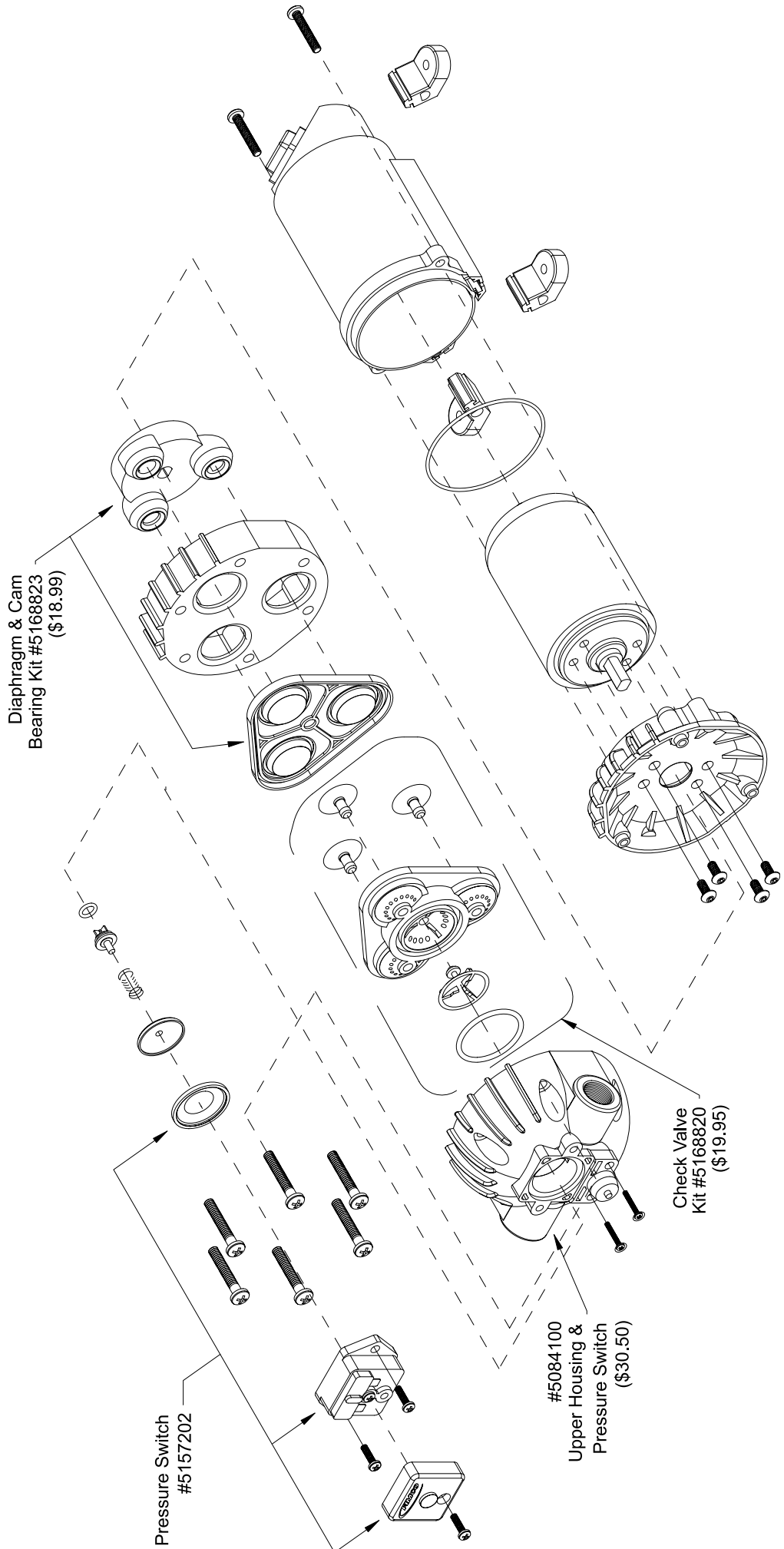
Drain all water out of sprayer paying special attention to pump, valves, and handgun. These items are especially prone to damage from chemicals and freezing weather. The sprayer should be winterized before storage by pumping a solution of RV anti-freeze through the entire plumbing. Proper care and maintenance will prolong the life of the sprayer.



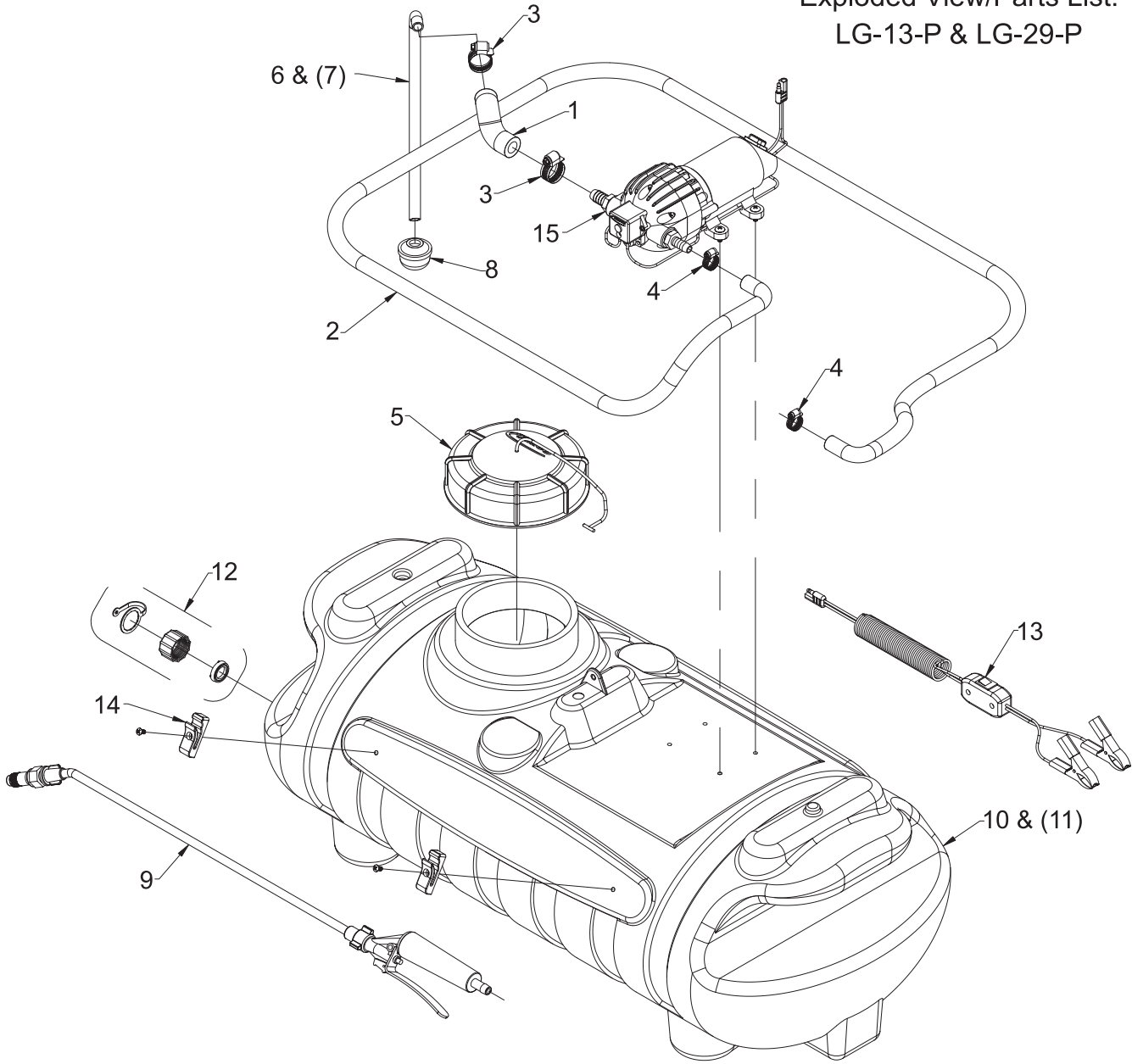
Pump Assembly  
#5275148

Item No.	Part Number	Qty	Description	List Price
1	5010021	1	Nylon Fitting, 3/8" MNPT x 3/8" HB	.45
2	5067021	1	Nylon Fitting, 3/8" MNPT x 1/2" HB	.45
3	5117167	4	#10-24 x 5/8" Phillips Truss Head Machine Screw	.25
4	5275016	1	Triplex Pump, 12V-DC, 2.1 G.P.M.	112.00

# Exploded View of Pump #5275016



Exploded View/Parts List:  
LG-13-P & LG-29-P



Item No.	Part Number	LG-13-P/Qty	LG-29-P/Qty	Description	List Price
1	5020060	1	1	Hose, 1/2"-1 Brd. x 2 3/4"	.64
2	5020215	1	1	Hose, 3/8"-1 Brd. x 15 Ft.	8.50
3	5051022	2	2	Hose Clamp, 1/2"	.62
4	5051114	2	2	Hose Clamp, 3/8"	.63
5	5058183	1	1	FIMCO 5" Threaded Tank Lid w/Lanyard	10.50
6	5100274	1	-	Intake Tube (15 Gallon)	1.40
7	5100275	-	1	Intake Tube (25 Gallon)	1.40
8	5116251	1	1	Strainer, Suction Line	1.99
9	5163100	1	1	Low Flow Handgun w/X-26 Adjustable Tip, 29 1/2" Wand	9.95
10	5169201	1	-	15 Gallon Blow-Molded Tank	54.95
11	5169205	-	1	25 Gallon Blow-Molded Tank	64.95
12	5274373	1	1	Drain Plug Cap, Tether, and Washer Assembly	2.95
13	5274443	1	1	Lead Wire Assembly (w/Switch), 96"	13.50
14	5274880	1	1	Pkg. (2) Handgun Clips & (2) Screws	2.85
15	5275148	1	1	Pump Sub-Assembly	---