

OWNER'S MANUAL

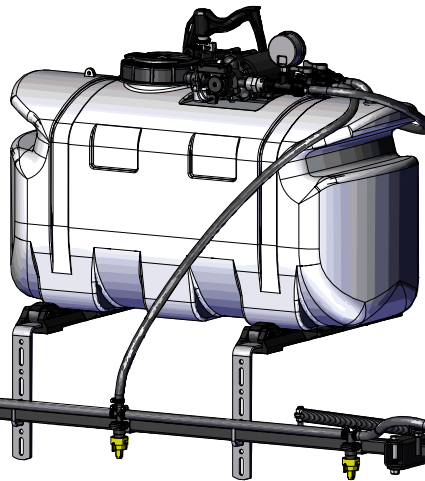


Model: ATV-25-700-PRO
(5302927)
(25 Gallon Professional ATV Sprayer)

Professional Grade Pump (4.0 GPM):
Ideal for Harsh Chemicals & Oil
Based Chemicals with Surfactants

Long Range 13" PRO SERIES Handgun
38' Horizontal Spray & 27' Vertical

Roundup® Ready





Caution: When fully filled with water, this sprayer will weigh 270 lbs.. Consult the owner's manual for your vehicle to verify that you are within it's load carrying capacity.



General Information

Thank you for purchasing this product. The purpose of this manual is to assist you in operating and maintaining your lawn & garden ATV sprayer.

Technical Specifications

-  **WARNING:** To reduce the risk of injury, the user must read and understand the operator's manual before using this product.
-  **WARNING:** Cancer and Reproductive Harm
www.P65Warnings.ca.gov

- 25 Gal. Corrosion-Resistant Polyethylene Tank
- Pro Series 4.0 GPM, 45 PSI, 12 Volt Pump
- 7-Nozzle Boom (140" Spray Coverage)
- Fold-Away Outer Boom Members
- Corrosion-Resistant Nozzles
- Check Valve Strainers, 50 Mesh, 5 PSI
- Multi-Lid

BEFORE RETURNING THIS PRODUCT
FOR ANY REASON, PLEASE CALL

1-800-831-0027

MONDAY-FRIDAY, 8:00 AM TO 5:00 PM CST

If you should have a question or experience a problem with your Fimco Industries Product: Visit our website @ www.fimcoindustries.com or call the Toll free number above. Our technical support representatives will be happy to help you. In most cases a customer service rep. can resolve the problem over the phone.

To obtain prompt, efficient service, always remember to give the following information....

- Correct Part Description and/or part number
- Model number and Serial Number

Part descriptions and numbers can be obtained from the illustrated parts list section(s) of this manual.

Assembly Instructions

- Make sure the contents of the sprayer's carton match the items shown on page 2 of the manual.
- Follow the steps on pages 3, 4 & 5 to properly assemble the sprayer.
- After assembly is complete and before testing your sprayer, make sure you connect the electrical hook-up to the end of your pump and clip the clips to a fully charged battery.
- The drain plug assembly should already be attached to the tank



www.fimcoindustries.com

1000 FIMCO Lane, P.O. Box 1700, North Sioux City, SD 57049
Toll Free Phone: 800-831-0027 : Toll Free Fax: 800-494-0440

[5194540

(02/20)]

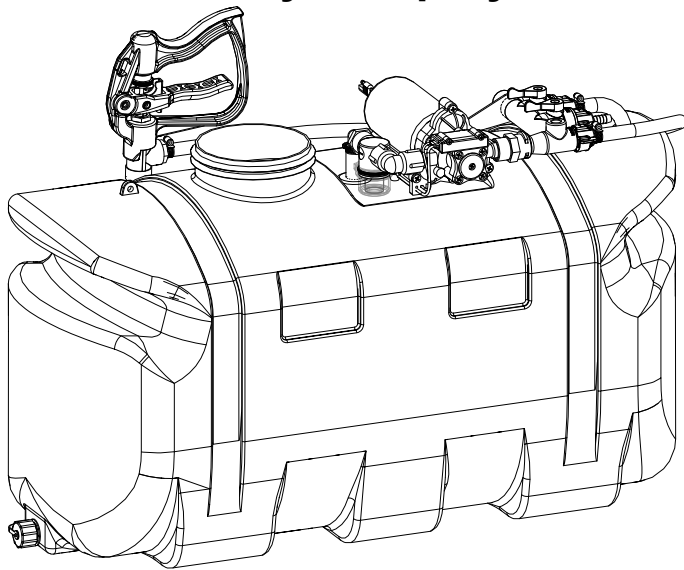
Retain a copy of your receipt for your unit, as it will be required to validate any warranty service.

Warranted against manufacturer or workmanship defects from date of purchase with copy of receipt:

Homeowner Usage: One Year.

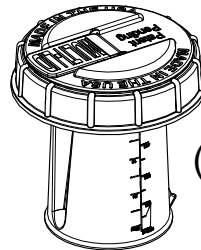
Commercial Usage: 90 Days.

Contents of your sprayer's carton (ATV-25-700-PRO - 5302927):

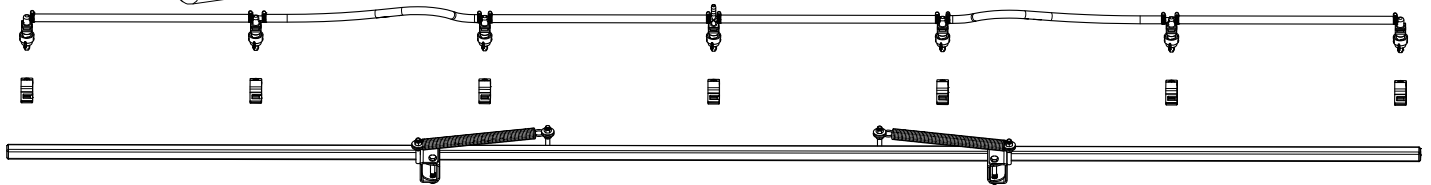


Tank/Plumbing
Pre-Assembly

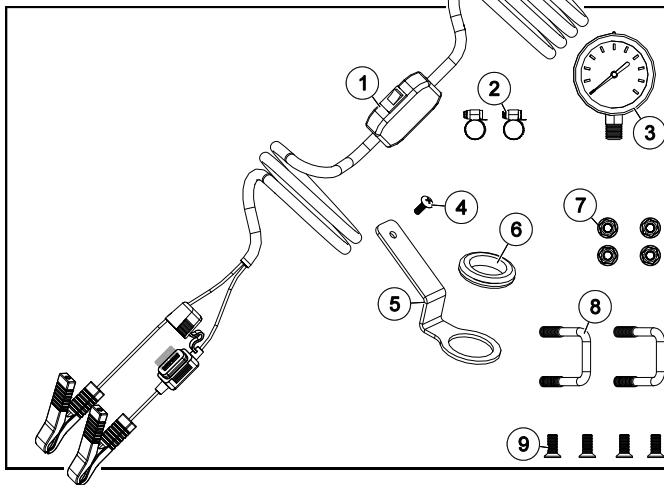
Owner's
Manual



Multi-Lid
(#5058200)



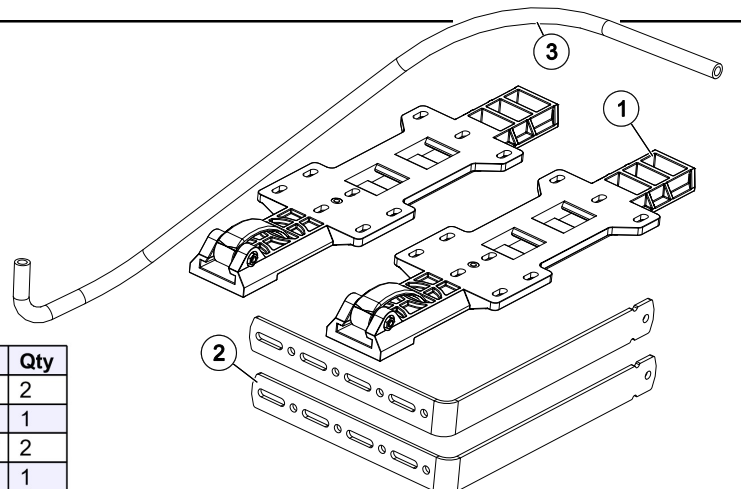
7-Nozzle Boom (5277780),
7-Nozzle Harness (#5277696)
& Nozzle Clamps/Pkg. of 7 (5277730)



Contents of Parts Bag
#5281293

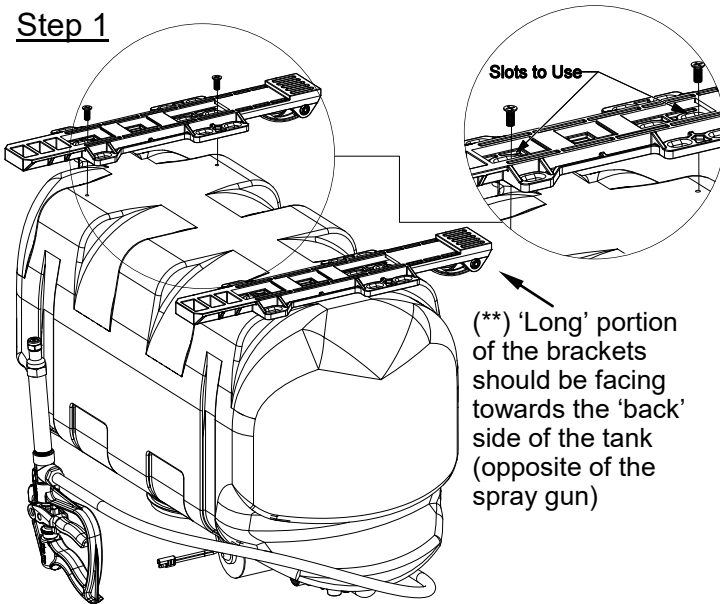
Ref. #	Part #	Description	Qty
1	5277040	Lead Wire Assembly (14 ga, w/Switch), 120"	1
2	5051144	Hose Clamp, 3/8"	2
3	5167031	Gauge, Liquid-Filled, 0-100 PSI	1
4	5117167	#10-24 x 5/8" Phillips Truss Head Machine Screw	1
5	5038916	Handgun Bracket Single Grommet	1
6	5075014	Rubber Grommet (Black)	1
7	5006307	5/16-18nc Hex Flanged Whiz Nut Gr. 5	4
8	5034159	Square U-Bolt, 5/16" x 1 5/16" x 1 7/8"	2
9	5034149	5/16-18nc x 3/4" lg Flat Head Screw w/Locking Patch	4

Contents of Bracket Kit
#5278133



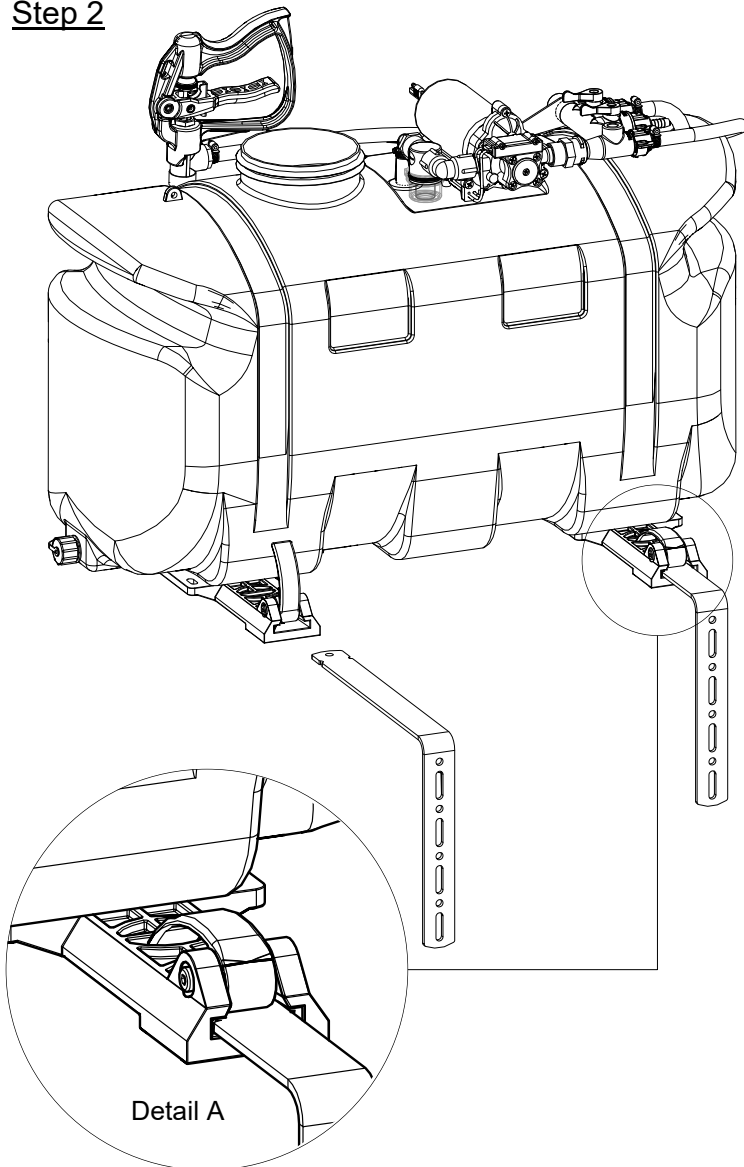
Ref. #	Part #	Description	Qty
1	5278222	ATV Quick Release Bracket Assembly	2
1.1	5078223	Cam Handle Assembly	1
2	5038872	Quick Release Bracket - Bent Adjustable Height	2
3	5020161	Hose, 3/8"-1 Brd. x 48"	1

Step 1



NOTE:
The Spray Gun will already be attached to the spray line hose.

Step 2



Assembly Procedure (ATV-25-700-PRO)

Normally, the sprayer will be mounted on an ATV with the spray gun assembly at the operator's back. Right Hand (RH) and Left Hand (LH) sides of the sprayer are determined as if you are standing behind the sprayer, looking at it (facing forward)

After removing the tank from the box, start the assembly procedure by turning the tank upside down on a stable, flat surface. Be careful of the pump and manifold assembly, as to not damage them or their connections.

A phillips head screwdriver is required for this step.

(**) Mount tank brackets to the underside of the tank as shown in Step 1. Use (4) flat head screws to secure it to the tank. The tank will rest on the surface of the brackets. Make sure the brackets are parallel with each other before tightening down the bolts. Do not over-tighten.

After your tank brackets are securely attached, turn the tank assembly over and position it so that the cam handles which extend beyond the back of the tank are facing you and just hanging over the edge of the table or flat surface you are assembling this on.

Secure the boom mounting brackets to the tank mounting brackets with Cam handles as shown in Detail A.

You can position them as needed within the slot on the bracket. Just be sure that the surfaces of both brackets are even with each other.

You are now ready to mount this unit to an ATV, using ratchet straps (NOT INCLUDED)

Step 3

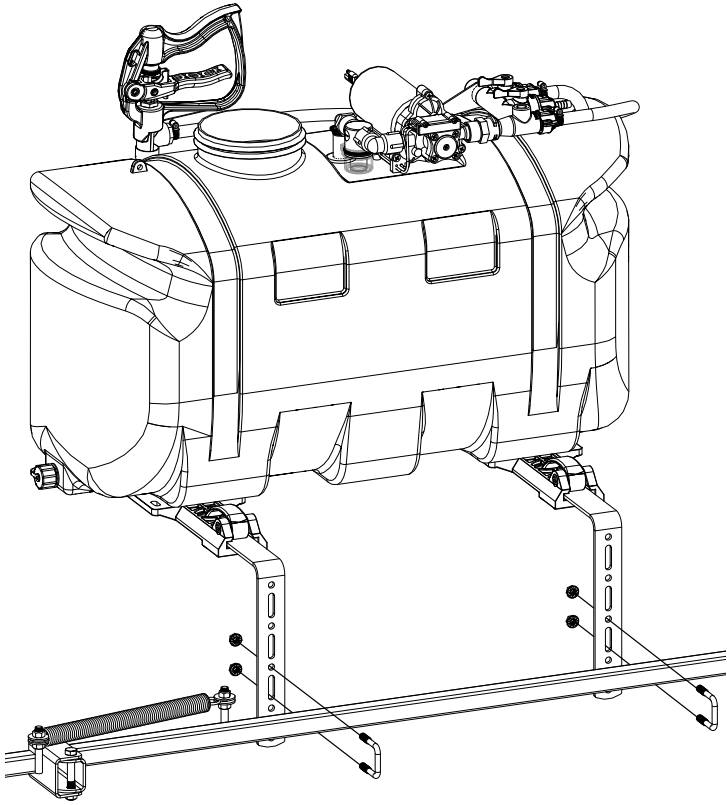
Assembly Procedure (ATV-25-700-PRO)

After your boom mounting brackets are secured in place and the unit secured on your ATV, bolt the 7-nozzle boom (5277780) in place with (2) Square U-Bolts (5034159) and whiz nuts (5006307).

A 1/2" socket or wrench is required for this step.

This boom can be positioned as shown or in a few alternate positions.

Try to maintain approximately 18-22 inches above the items being sprayed, for optimal coverage. This is considered where the nozzles will mount, at the end of these brackets.

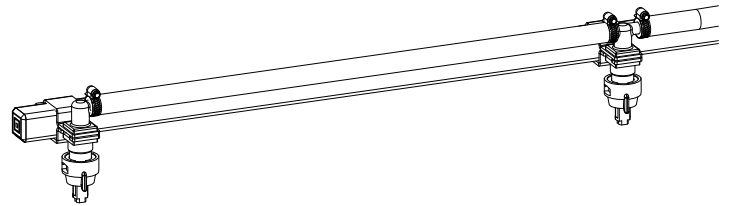
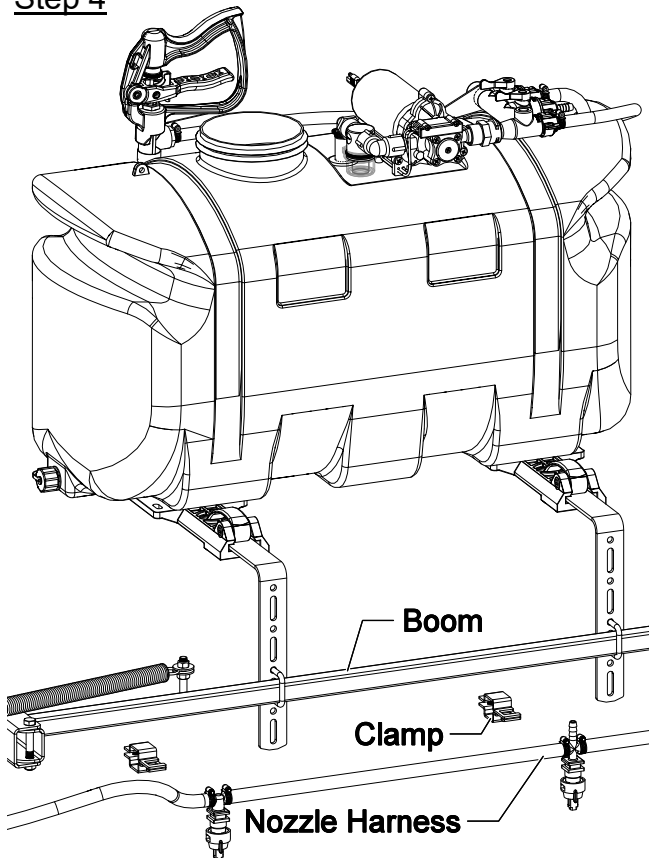


With the boom secured to the boom mounting brackets, the nozzle harness can now be attached.

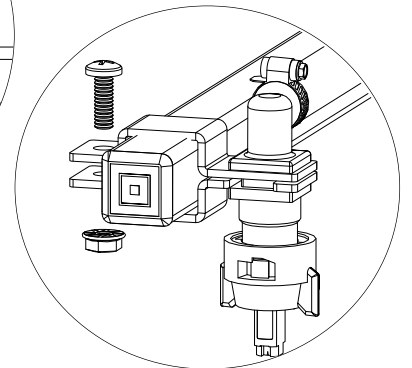
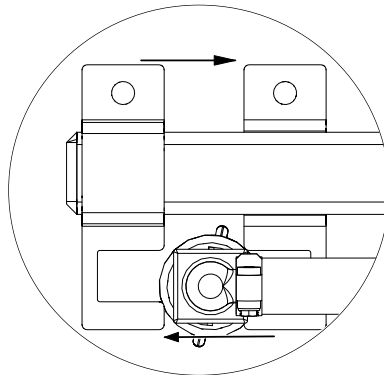
Attach the nozzle harness to the boom.

Step 4

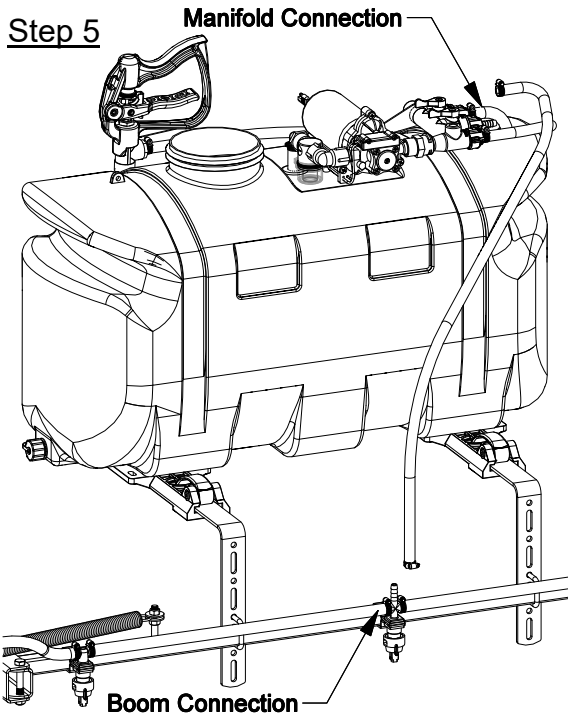
Starting with the center nozzle, center the nozzle harness on the boom and then work out to the ends on both sides using the nozzle clamps, attach the harness to the boom as shown in DETAIL Clamp.



DETAIL Clamp



Assembly Procedure (ATV-25-700-PRO)

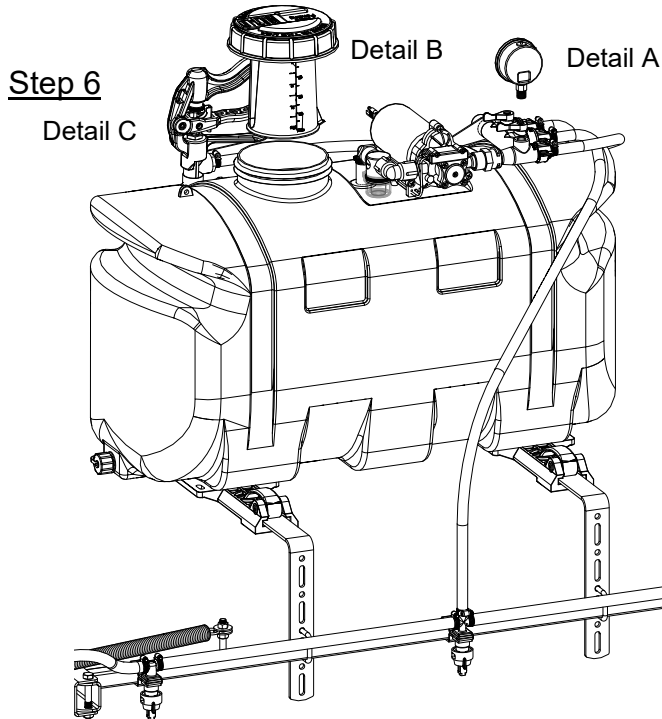


After your nozzle harness is attached to the boom, locate the 48" hose and the (2) hose clamps from the parts bag.

Place the hose clamps over each end of the hose loosely. Slip the ends of the hose over the hose barbs on both the manifold and the 'CROSS' fitting on the nozzle harness. Use a twisting motion, if necessary, to get the hose fully onto each barb. Bring the hose clamps to the connection point and tighten securely.

NOTE:

Make sure this boom feeder hose does not end up on the 'outside' of the spray wand hose, otherwise unwrapping the spray wand hose from around the tank may be difficult.



Detail A: Install the pressure gauge. Hand tighten securely. **** DO NOT OVER-TIGHTEN ****

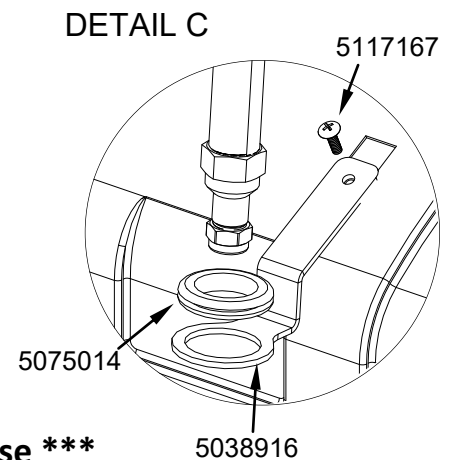
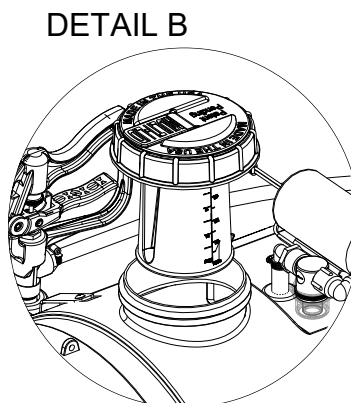
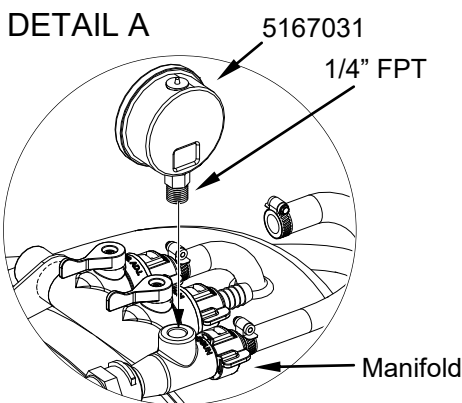
Detail B: Screw the lid onto the tank.

Detail C: Locate the handgun bracket, grommet and screw from the parts bag and install onto the tank.

A phillips head screwdriver is required for this step
Place the grommet in the bracket and then place a screw through the hole in the bracket and bring it up to the tank, where the embossment for the bracket is located (on the front side of the tank) Secure to the tank. Tighten so that the bracket is secure.

**** DO NOT OVER-TIGHTEN ****

The spray wand will slip into the bracket once installed.



***** The Sprayer should now be ready for use *****

IMPORTANT: Remove tank lid and be sure the tank is clean and free of any foreign material. Rinse tank out of any tank residue before filling with water to test.

Testing the Sprayer

NOTE:

It is **IMPORTANT** that you test your sprayer for leakage and proper spray patterns with plain water before chemical application is attempted. This will also give you the opportunity to familiarize yourself with the operation of the sprayer, without the possibility of losing any expensive chemicals.

Fill the tank about 1/2 full with plain water and drive to the starting place for spraying.

When you are ready to spray, turn the boom valve to the "on" position (Detail A). This will start solution spraying from the tips of the boom. The pressure will decrease slightly when the boom is spraying.

Adjust the pressure by turning the "ON/OFF" valve lever on the bypass line valve (Detail B). Make sure your pattern is sufficient. You may down-pressure the system by 'bypassing' solution back into the tank. This is achieved by opening the bypass valve. Regulating pressure is done in this manner.

Read the operating instructions and initially begin spraying by closing the 'Pressure Adjust' valve and opening the boom line valve (Detail A). This will enable the air in the line to be eliminated (purged) through all the tips, while building pressure. When everything tests all right (no leaks and good pressure), add the desired chemicals to the mixture and water combination and start your spraying operation. Adjust the pressure and spray as you did in the testing procedure. Conditions of weather and terrain must be considered when setting the sprayer. Do not spray on windy days. Protective clothing must be worn in some cases

Be sure to read the chemical label(s) before application!

Operation

The pumping system draws solution from the tank, through the strainer and to the pump. The pump forces the solution under pressure to the handgun or boom nozzles.

Connect the lead wire to a fully charged 12 volt battery. You may use either a stand-alone battery or the battery on your towing vehicle. Connect to the positive (red) terminal first, then connect to the negative (black) terminal. Then connect the end of the lead wire to the end of the pump. When disconnecting, disconnect the end of the pump wire from the lead wire, then disconnect the negative (black) connection and finally the positive (red) connection. The lead wire has an On/Off switch to activate the pump. "-" is on and "O" is off.

Fill the tank part way with water and then add the desired amount of chemical to be sprayed. Finish filling tank to proper level. Turn the pump on and by depressing the "-" side of the rocker switch. The pump is equipped with a pressure switch that is pre-set at the factory to shut the pump off when all discharges are closed.

The pump will turn back on when one of the following actions occurs:

- ◆ Handgun lever is squeezed to spray the handgun.
- ◆ Boom valve is opened to broadcast spray with the boom.
- ◆ Bypass valve is opened to re-circulate solution back into the tank.

When spraying with either the boom or the handgun, pressure may be reduced by slowly opening the bypass valve until desired pressure is achieved (Detail B). Opening the valve decreases pressure, closing the valve increases pressure. When spraying with the boom, the proper method to set the pressure is to open the boom valve completely and if a lower pressure is desired, then slowly open the bypass valve until that pressure is obtained.

For the safest and most efficient chemical application, you will need to calibrate your sprayer using the tip and speed charts. Once you have determined the proper speed and pressure settings, you will need to consult your chemical label for the amount of chemical to be added to the tank. Read the entire label. Use only according to label directions.

The nozzles on the boom will spray an 140 inch wide swath. Check the nozzle pattern by spraying water on a concrete surface.

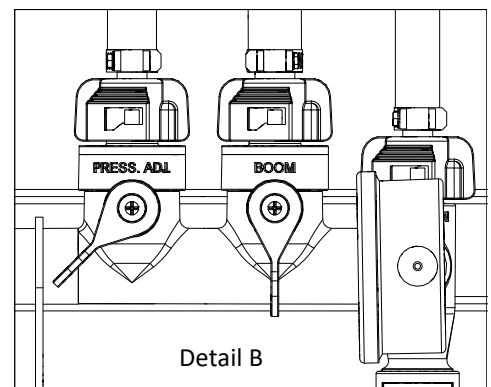
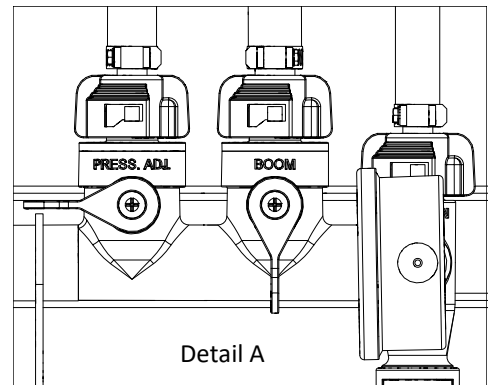
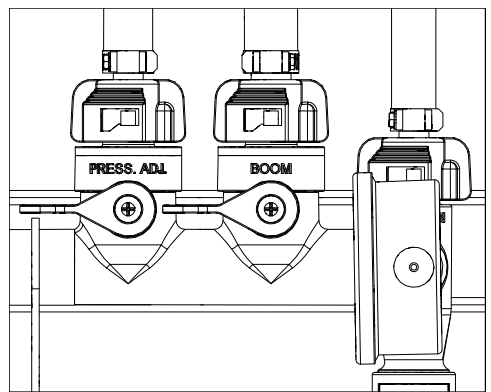
Calibration

Chemical labels may show application rates in gallons per acre, gallons per 1000 square feet or gallons per 100 square feet. You will note that the tip chart shows 2 of these rating systems. Once you know how much you are going to spray, then determine (from the tip chart) the spraying pressure (PSI), and the spraying speed (MPH).

Determining the proper speed of the pulling vehicle can be done by marking off 100, 200 & 300 feet. The speed chart indicates the number of seconds it takes to travel the distances. Set the throttle and with a running start, travel the distances. Adjust the throttle until you travel the distances in the number of seconds indicated by the speed chart. Once you have reached the throttle setting needed, mark the throttle location so you can stop and go again, returning to the same speed.

Add water and proper amount of chemical to the tank and drive to the starting place for spraying.

Manifold Valves CLOSED



Using the Boom Nozzles

Four things must be considered before spraying with the boom.

1. How much chemical must be mixed in the tank.
 2. Rate of spray (gallons per acre to be sprayed).
 3. What pressure (p.s.i.) will be used.
 4. Speed traveled (mph) while spraying.
- * Refer to the chemical label to determine your chemical mixture.
 - * See the tip chart to determine the pressure to be used. The chart will also show the speed used when spraying.
 - * Start the pump and open the valve to the boom nozzles.
 - * Check the spray pattern. Usually you can see the coverage better on a solid concrete surface, such as a driveway.
 - * Raise or lower the nozzles so that you will have a good coverage pattern. Generally the proper height will be about approx.: 18 to 22 inches from the object(s) being sprayed.

Speed Chart			
	Time Required in seconds to travel a distance of		
Speed in M.P.H. (Miles Per Hour)	100 Ft.	200 Ft.	300 Ft.
1.0	68 sec.	136 sec.	205 sec.
2.0	34	68	102
3.0	23	45	68
4.0	17	34	51
5.0	14	27	41
6.0	11	23	34
7.0	9.7	19	29
8.0	8.5	17	26
9.0	7.6	15	23
10.0	6.8	14	20

Maintenance During/After Spraying

Periodically check the strainer and clean the screen on your intake line.

Proper care and maintenance will prolong the life of your sprayer.

After use, drain the tank and store or dispose of chemical properly. Fill the sprayer half way with clean water. Start the pump and allow the water to pump through the entire plumbing system and nozzles. Drain and then refill half full, add the recommended amount of a good quality tank cleaner, such as FIMCO Tank Neutralizer and Cleaner. (If no tank cleaner is available, you may substitute dish soap for this step, about 1-2 oz. per gallon). Turn pump on and circulate through system for 15 minutes and then spray out through boom and handgun nozzles. Refill sprayer half way with clean water and repeat. Follow the chemical manufacturer's disposal instructions of all wash or rinsing water.

If boom or handgun nozzles need cleaning, remove them from the sprayer and soak in warm soapy water. Clean with a soft bristled brush or toothpick if necessary. Never use a metal object. Even the slightest damage can change the flow rate and spray distribution. Water rinse and dry the tips before storing.

WARNING: Some chemicals will damage the pump valves if allowed to soak untreated for a length of time! ALWAYS flush the pump as instructed after each use. DO NOT allow chemicals to sit in the pump for extended times of idleness. Follow the chemical manufacturer's instructions on disposal of all waste water from the sprayer.

Storing Sprayer

When sprayer is not in use, release Cam Lock Handles. This is to prevent deforming of Cam Lock Mechanism. Do not use QR bracket Cams to hold and store boom in vertical position.

Winter Storage

Prepare the sprayer for end-of-season storage by running RV antifreeze through the system. This will keep internal parts lubricated, protect against corrosion and keep the unit from freezing. *Note: RV antifreeze is non-toxic and biodegradable and generally safer for the environment than automotive antifreeze.*

Before storing your sprayer for winter or long term storage, thoroughly clean and drain it as much as possible. Then pour enough pink RV antifreeze into the tank so that when the pump is turned on you can pump the antifreeze throughout the entire plumbing system, including the bypass. Make sure to operate the boom and handgun until you see pink fluid spraying from the nozzles. Leave any remaining antifreeze in the tank. Before your next usage, rinse the antifreeze from the sprayer with clean water.

It is nearly impossible to drain all of the water from the sprayer and any trapped water can freeze in cold weather and damage parts of the sprayer. Pumping the antifreeze through the system will displace the water and help prevent this damage.

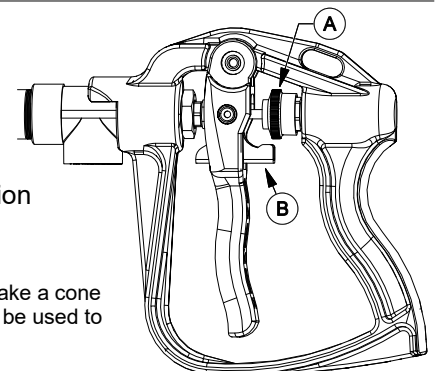
Removing from storage: drain the antifreeze. Fill the tank with fresh water and run through the system. Dispose of antifreeze and flush water properly.

Spray Tip Rate Chart (20" Spacing)										
Tip No.	Pressure (psi)	Capacity (GPM)	Gallons Per Acre - Based on Water							
			1 MPH	2 MPH	3 MPH	4 MPH	5 MPH	6 MPH	8 MPH	
AIXR11002VP	15	.12	35.6	17.8	11.8	8.9	7.1	5.9	4.5	
	20	.14	41.6	20.8	13.8	10.4	8.3	6.9	5.2	
	30	.17	50.4	25.2	16.8	12.6	10.1	8.4	6.3	
	40	.20	59.6	29.8	19.8	14.9	11.9	9.9	7.4	
Tip No.	Pressure (psi)	Capacity (GPM)	Gallons Per 1000 Sq. Ft. - Based on Water							
			1 MPH	2 MPH	3 MPH	4 MPH	5 MPH	6 MPH	8 MPH	
AIXR11002VP	15	.12		.41	.27	.20	.16			
	20	.14		.48	.32	.24	.19			
	30	.17		.58	.39	.29	.23			
	40	.20		.68	.45	.34	.27			

Long Range Pro Series Handgun

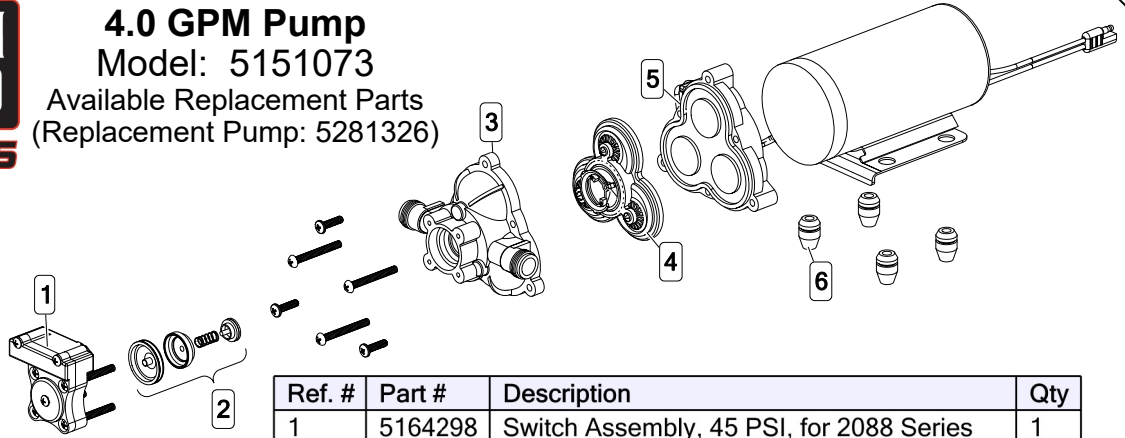
- No Drip Shut Off • Easy Pull Trigger Handle • Chemical Resistant Construction
- 38' Horizontal Throw & 27' Vertical Throw

To adjust the spray pattern, the nut needs to be adjusted (Ref. A). Spinning it off, towards the lever, will make a cone pattern and spinning it on, away from the lever, will make a stream. The lever (Ref. B), is the lock that can be used to lock the lever when pulled, holding the valve open. Squeezing the trigger, will release the lock.





4.0 GPM Pump
Model: 5151073
 Available Replacement Parts
 (Replacement Pump: 5281326)



STOP WARNING STOP
 • DO NOT USE WITH FLAMMABLE OR COMBUSTIBLE LIQUIDS
 • DO NOT STORE FLAMMABLE OR COMBUSTIBLE LIQUIDS

Ref. #	Part #	Description	Qty
1	5164298	Switch Assembly, 45 PSI, for 2088 Series	1
2	5143547	Pressure Switch Check Valve Kit, 2088	1
3	5151057	Upper Housing, 2088 Series, 1/2" MSPT	1
4	5143548	Valve Kit, 2088 Series	1
5	5281598	4.0 Pro Drive Assembly, Geolast Diaphragm	1
6	5075029	Pump Mount Grommet	4



- Clean and rinse your pump after each use with Fimco Tank Neutralizer
- Winterize your pump or sprayer by rinsing, draining and running RV Antifreeze through it before storing for the winter.
- Use clean water for your spray mixture
- Store inside a building when not in use.



- Use to pump bleach.
- Use with Flammable or Combustible Liquids
- Store Flammable or Combustible Liquids
- Leave your pump sit with spray mixture in it for extended periods
- Use dirty or unfiltered water for spraying

Troubleshooting the Pump:

Motor does not run:

- Check for loose wiring connection(s).
- Make sure the 'ON/OFF' switch in the lead wire assembly is in the 'ON' position. "I" is the 'ON' position and 'O' is the 'OFF' position.
- Check for defective pressure switch. Make sure you are connected to a good 12 volt power source. Make sure any on/off switches are in the 'on' position.
- Remove the cap to the pressure switch. Pull both red wires off of their terminals, and touch the two ends together. If your pump runs when you do this, your pressure switch will need to be replaced.
- Check the fuse.
- Check for low voltage at the power supply.

Pump does not prime:

- Check for air leaks in supply line.
- Check for debris in the check valve assembly.
- Check for defective check valve.
- Check for clogged strainer/filter.
- Check for cracks in the pump housing.
- Check for empty product supply.

CAUTION

PRESSURE SWITCH OPERATION

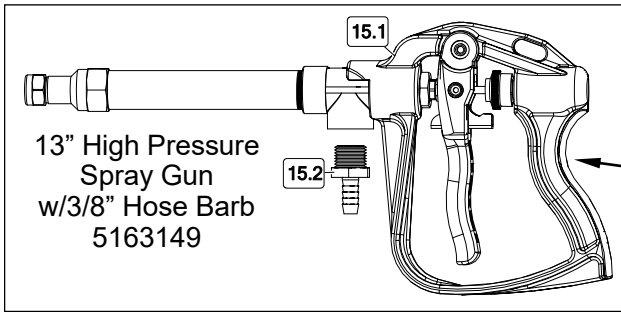
Pressure switch is pre-set at the factory. Improper adjustment of the pressure switch, may cause severe overload or premature failure. If the pump is subjected to rapid cycling during normal operation, or infrequent periods, damage may occur.

Pulsating flow (surging):

- Check for defective pressure switch.
- Check for leaks in the discharge line.
- Check for restriction in the discharge line.
- Check for debris in nozzle orifice.
- Discharge hose may be too long.
- Check for clogged strainer.

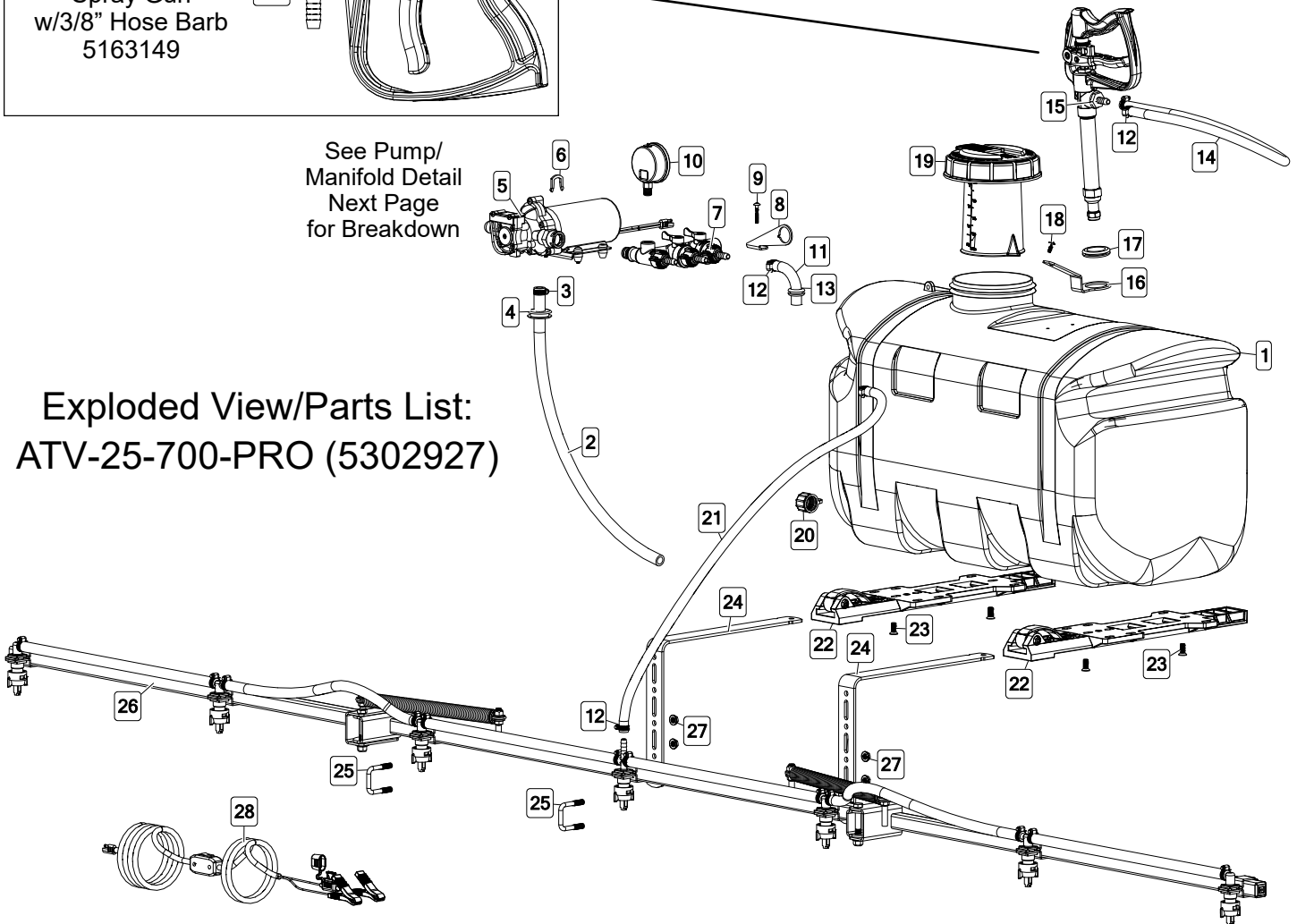
Motor continues to run after discharge is shut off:

- Check for empty product supply.
- Check for open bypass valve. (if equipped)
- Check for low voltage.
- Check for leak in discharge line.
- Check for defective or dirty check valve.
- Check for defective pressure switch.



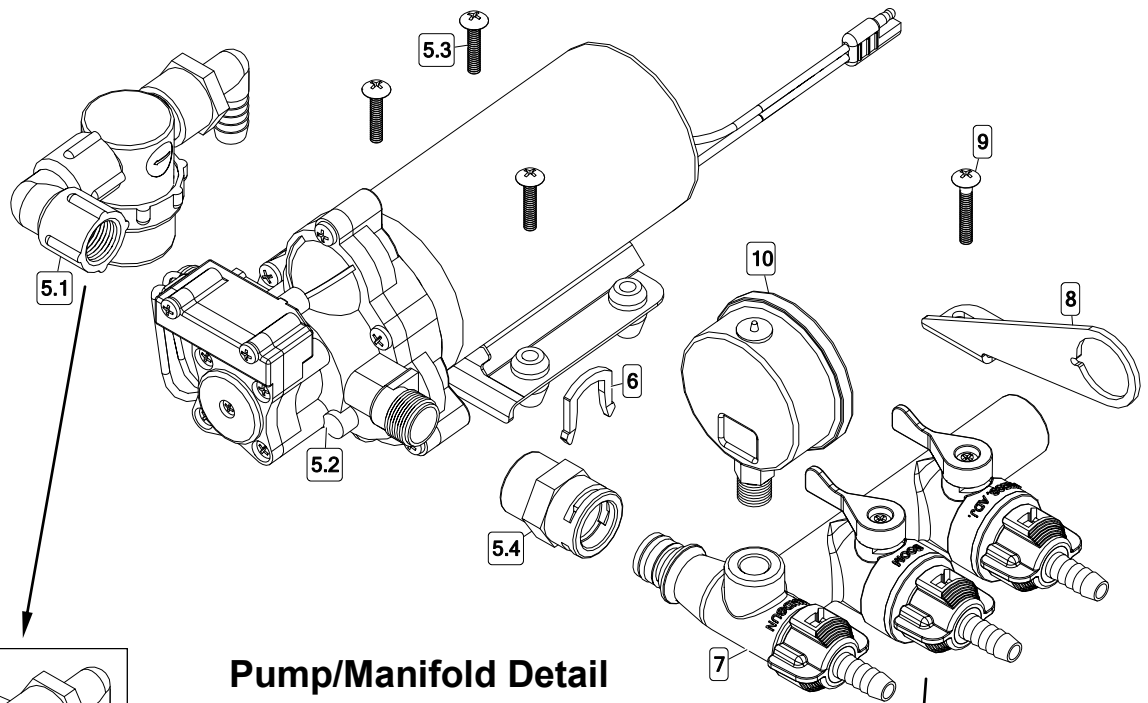
See Pump/
Manifold Detail
Next Page
for Breakdown

Exploded View/Parts List: ATV-25-700-PRO (5302927)



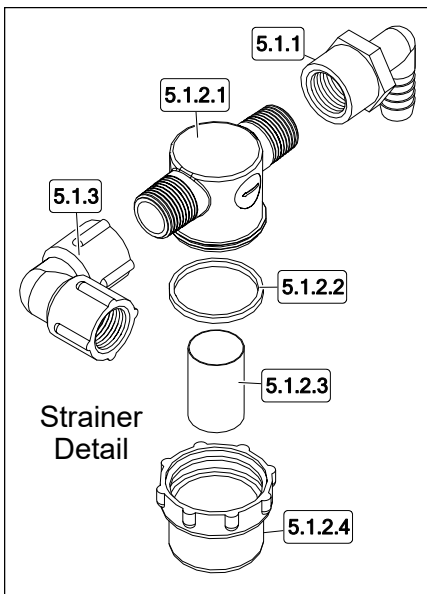
Ref. #	Part #	Description	Qty
1	TA25W	25 Gallon Tank (White)	1
2	5020307	Hose, 1/2"-1 Brd. x 23"	1
3	5051114	Hose Clamp (1/2")	1
4	5075016	Rubber Grommet, 3/4" I.D.	1
5	5281291	Pro Series 4.0 Pump Assembly	1
5.1	5281290	ShurFlo Strainer Assembly	1
5.1.1	5149158	Poly Elbow, 1/2" FNPT x 1/2" Hose Barb	1
5.1.2	5116417	Poly Inline Strainer, 1/2" MNPT	1
5.1.2.1	5046451	Poly Strainer Cap, 1/2" MNPT	1
5.1.2.2	5072533	Strainer O-Ring	1
5.1.2.3	5116452	Strainer Screen	1
5.1.2.4	5058205	Clear Strainer Bowl	1
5.1.3	5010236	Poly Elbow, 1/2" FNPT x 1/2" FNPT	1
5.2	5151073	Pro Series Pump: 12V, 4.0 GPM, 45 PSI	1
5.3	5117168	#10-24 x 1" Phillips Truss Head Mach. Screw	3
5.4	5005456	3/4" Port to 1/2" Female NPT Adapter	1
6	5005457	Port Adapter Clip	1
7	5281538	Quick Connect Manifold Assembly	1
7.1	5302347	Quick Connect Manifold (Body Only)	1
7.1.1	5072514	O-Ring - Pump Port Connection	1
7.2	5143430	Flat Washer - Hose Barb Seal	3
7.3	5143431	QC Manifold - 3/8" Hose Straight Barb	3
7.4	5143429	Quick Connect Quarter Turn Cap	3
8	5037943	Manifold Support Brace	1
9	5117166	#10-24 x 1 1/4" PH Truss Head Mach. Screw, Gr. 2	1

Ref. #	Part #	Description	Qty
10	5167031	Gauge, Liquid-Filled, 0-100 PSI	1
11	5020532	Hose, 3/8"-1 Brd. x 7 1/4"	1
12	5051144	Hose Clamp (3/8")	5
13	5075022	Grommet (5/8" I.D.)	1
14	5020527	Hose, 3/8"-1 Brd. x 25 Ft.	1
15	5163149	13" HP Spray Gun with 3/8" Hose Barb	1
15.1	5163137	High Pressure Aluminum Spray Gun 13"	1
15.2	5067130	Poly Fitting, 1/2" MNPT x 3/8" HB	1
16	5038916	Handgun Bracket Single Grommet	1
17	5075014	Rubber Grommet (Black)	1
18	5117167	#10-24 x 5/8" PH Truss Head Mach. Screw, Gr. 2	1
19	5058200	32 oz -1000 ml Multi-LID Complete Assembly	1
20	5274373	Drain Plug Cap, Tether, and Washer Assembly	1
21	5020161	Hose, 3/8"-1 Brd. x 48"	1
22	5278222	ATV Quick Release Bracket Assembly	2
22.1	5078223	Cam Handle Assembly - for Quick Release Boom	1
23	5034149	5/16"-18 x 3/4" PH Flat Head Mach. Screw, Gr. 2	4
24	5038872	Quick Release Bracket - Bent Adjustable Height	2
25	5034159	5/16"-18 x 1.3125 x 1.875 Square U-Bolt, Gr. 2	2
26	5301897	Generic 7-Nozzle Boom Assembly	1
27	5006307	5/16"-18 Serrated Flng Hex Nut, Gr. A	4
28	5277040	Lead Wire Assembly (14 ga, w/Switch), 120"	1
28.1	5157238	15 Amp Regular Blade Fuse	1

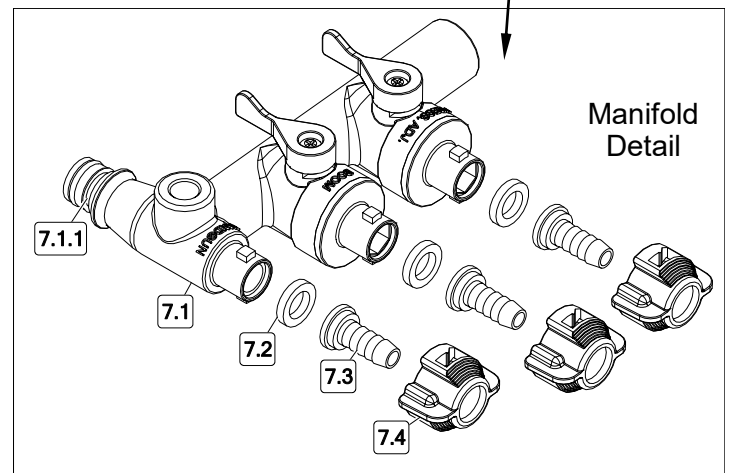


Pump/Manifold Detail

See Page 9 for Part Numbers



Strainer
Detail

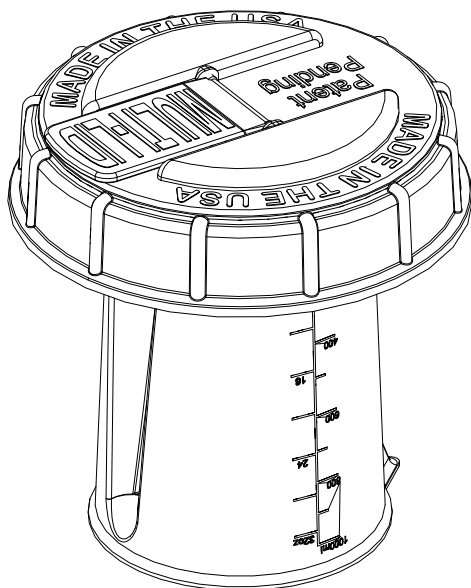


Manifold
Detail

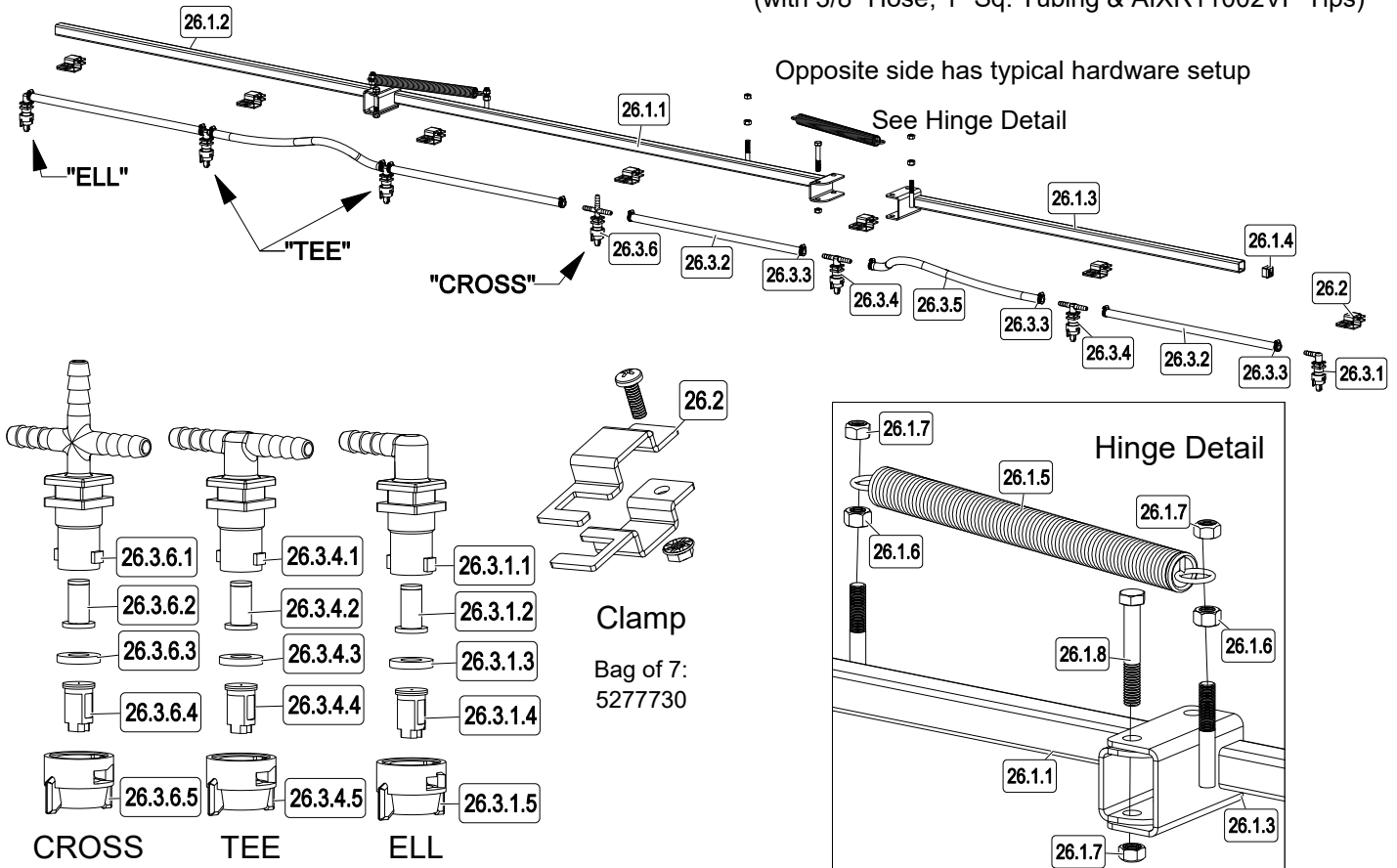
Multi-Lid Directions

1. Open fill cap and place garden hose into tank. Fill tank to desired gallon marker, if marker is above the bottom of calibration container, stop before water reaches calibration container. This is done to help chemical mix better and keep foaming of chemical to a minimum later.
2. Remove Multi-Lid and use calibration container to measure the correct amount of chemical for the water being used.
3. Pour chemical into tank and tighten Multi-Lid back onto tank. If desired amount of water was added in step 1, you are done. Be sure to press firmly on fill cap to seal with Multi-Lid. If desired amount of water was not met in step 1, proceed to step 4.
4. Open fill cap and place garden hose into tank. Add water to the desired gallon marker. Close fill cap, pressing firmly to seal cap to Multi-Lid.

NOTE: If water and chemical has not mixed properly, use the pressure adjustment control on the manifold to recirculate the mixture through tank.



7-Nozzle Boom Assembly (5301897) (with 3/8" Hose, 1" Sq. Tubing & AIXR11002VP Tips)

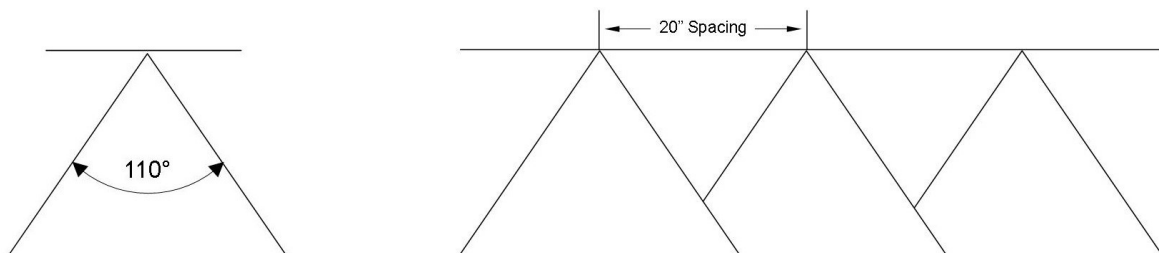


Ref. #	Part #	Description	Qty
26	5301897	7-Nozzle Boom Assembly	1
26.1	5277780	7-Nozzle Boom	1
26.1.1	5277838	Center Boom Weldment 1" Sq. Tube	1
26.1.2	5277837	Outer Boom Weldment (LH) (1" Sq Tube)	1
26.1.3	5277836	Outer Boom Weldment (RH) (1" Sq Tube)	1
26.1.4	5046106	Square Cap, Black (1" Square Tube)	2
26.1.5	5019228	Extension Spring	2
26.1.6	5006259	3/8"-16 Flange Hex Whiz Locknut	4
26.1.7	5006345	3/8"-16 Flange Locknut	6
26.1.8	5034169	H.H.C.S., 3/8"-16 x 2 1/2"	2
26.2	5277923	Nozzle Clamp (1" Sq. Tube)	7
26.3	5277696	7-Nozzle Harness (3/8")	1
26.3.1	5281304	"ELL" Nozzle Sub-Assembly (3/8")	2
26.3.1.1	5056113	Single Hose Shank (3/8" Hose)	1
26.3.1.2	5143543	Check Valve Strainer, 50 Mesh, 5 PSI	1
26.3.1.3	5016157	Seat Washer (QJ Caps)	1
26.3.1.4	5018371	Air-Induction XR Flat Spray Tip (AIXR11002VP)	1

Ref. #	Part #	Description	Qty
26.3.1.5	5046219	Quick TeeJet Cap ONLY (Yellow)	1
26.3.2	5020510	Hose, 3/8"-1 Brd. x 19-3/8"	4
26.3.3	5051144	Hose Clamp, 3/8"	12
26.3.4	5281307	"TEE" Nozzle Sub-Assembly (3/8")	4
26.3.4.1	5056114	Double Hose Shank (3/8" Hose)	1
26.3.4.2	5143543	Check Valve Strainer, 50 Mesh, 5 PSI	1
26.3.4.3	5016157	Seat Washer (QJ Caps)	1
26.3.4.4	5018371	Air-Induction XR Flat Spray Tip (AIXR11002VP)	1
26.3.4.5	5046219	Quick TeeJet Cap ONLY (Yellow)	1
26.3.5	5020511	Hose, 3/8"-1 Brd. x 21"	2
26.3.6	5281308	"Cross" Nozzle Sub-Assembly (3/8")	1
26.3.6.1	5056115	Triple Hose Shank (3/8" Hose)	1
26.3.6.2	5143543	Check Valve Strainer, 50 Mesh, 5 PSI	1
26.3.6.3	5016157	Seat Washer (QJ Caps)	1
26.3.6.4	5018371	Air-Induction XR Flat Spray Tip (AIXR11002VP)	1
26.3.6.5	5046219	Quick TeeJet Cap ONLY (Yellow)	1

Based on the minimum overlap required to obtain uniform distribution with 110° tips and 20" spacing.
Suggested Minimum Spray Height: 16"-18" above what is being sprayed (to plant, not ground).
Optimum Spray Height: 20"

- 110° wide, tapered flat spray angle with air induction technology for better drift management
- Made of 2-piece UHMWPE polymer construction which provides excellent chemical resistance, including acids, as well as exceptional wear life
- Compact size to prevent tip damage
- Excellent for systemic products and drift management



Warranty

LIMITED WARRANTY FOR NEW FIMCO, IND. EQUIPMENT

WHO MAY USE THIS LIMITED WARRANTY. This limited warranty (the "Limited Warranty") is provided by Fimco, Ind. to the original purchaser ("you") of the Equipment (as defined below) from Fimco, Ind. or one of Fimco, Ind.'s authorized dealers. This Limited Warranty does not apply to any subsequent owner or other transferee of the Equipment. THIS LIMITED WARRANTY GIVES YOU SPECIFIC LEGAL RIGHTS, AND YOU MAY ALSO HAVE OTHER RIGHTS WHICH VARY FROM STATE TO STATE.

WHAT THIS LIMITED WARRANTY COVERS AND FOR HOW LONG. Fimco, Ind. warrants that any new Equipment will be free from defects in material and workmanship for a period of **one (1) year** (homeowner), **90 days** (commercial user), after delivery of the Equipment to you (the "Warranty Period"). The Warranty Period is not extended if Fimco, Ind. repairs or replaces the Equipment.

WHAT IS NOT COVERED BY THIS LIMITED WARRANTY. This Limited Warranty does not apply to: (1) used Equipment; (2) any Equipment that has been altered, changed, repaired or treated since its delivery to you, other than by Fimco, Ind. or its authorized dealers; (3) damage or depreciation due to normal wear and tear; (4) defects or damage due to failure to follow Fimco, Ind.'s operator's manual, specifications or other written instructions, or improper storage, operation, maintenance, application or installation of parts; (5) defects or damage due to misuse, accident or neglect, "acts of God" or other events beyond Fimco, Ind.'s reasonable control; (6) accessories, attachments, tools or parts that were not manufactured by Fimco, Ind., whether or not sold or operated with the Equipment; or (7) rubber parts, such as tires, hoses and grommets.

HOW TO OBTAIN WARRANTY SERVICE. To obtain warranty service under this Limited Warranty, you must (1) provide written notice to Fimco, Ind. of the defect during the Warranty Period and within **thirty (30)** days after the defect becomes apparent or the repair becomes necessary, at the following address: Fimco, Ind., 1000 Fimco Lane, North Sioux City, SD 57049; and (2) make the Equipment available to Fimco, Ind. or an authorized dealer within a reasonable period of time. For more information about this Limited Warranty, please call: **800-831-0027**.

WHAT REMEDIES ARE AVAILABLE UNDER THIS LIMITED WARRANTY. If the conditions set forth above are fulfilled and the Equipment or any part thereof is found to be defective, Fimco, Ind. shall, at its own cost, and at its option, either repair or replace the defective Equipment or part. Fimco, Ind. will pay for shipping and handling fees to return the repaired or replacement Equipment or part to you.

LIMITATION OF IMPLIED WARRANTIES AND OTHER REMEDIES. THE REMEDIES DESCRIBED ABOVE ARE YOUR SOLE AND EXCLUSIVE REMEDIES, AND FIMCO, IND.'S SOLE LIABILITY, FOR ANY BREACH OF THIS LIMITED WARRANTY. TO THE EXTENT APPLICABLE, ANY IMPLIED WARRANTIES, INCLUDING, WITHOUT LIMITATION, THE IMPLIED WARRANTIES OF MERCHANTABILITY AND FITNESS FOR A PARTICULAR PURPOSE, SHALL BE LIMITED IN DURATION TO THE WARRANTY PERIOD, AND THE REMEDIES AVAILABLE FOR BREACH THEREOF SHALL BE LIMITED TO THE REMEDIES AVAILABLE UNDER THIS EXPRESS LIMITED WARRANTY. SOME STATES DO NOT ALLOW LIMITATIONS ON HOW LONG AN IMPLIED WARRANTY LASTS, SO THE ABOVE LIMITATION MAY NOT APPLY TO YOU. IN NO EVENT SHALL FIMCO, IND.'S LIABILITY UNDER THIS LIMITED WARRANTY EXCEED THE ACTUAL AMOUNT PAID BY YOU FOR THE DEFECTIVE EQUIPMENT, NOR SHALL FIMCO, IND. BE LIABLE, UNDER ANY CIRCUMSTANCES, FOR ANY CONSEQUENTIAL, INCIDENTAL, SPECIAL OR PUNITIVE DAMAGES OR LOSSES, WHETHER DIRECT OR INDIRECT. SOME STATES DO NOT ALLOW THE EXCLUSION OR LIMITATION OF INCIDENTAL OR CONSEQUENTIAL DAMAGES, SO THE ABOVE LIMITATION OR EXCLUSION MAY NOT APPLY TO YOU.