

12 VOLT HIGH PERFORMANCE PUMPS

HIGH-FLO
HIGH PERFORMANCE

2.4 G.P.M. BYPASS



**2 YEAR
WARRANTY**

- Internal Bypass Pump; 2.4 G.P.M.
- Pumps Until Power Is Shut Off
- 60 P.S.I. Max Pressure
- 8 Amp Draw
- Ready For Round-Up®

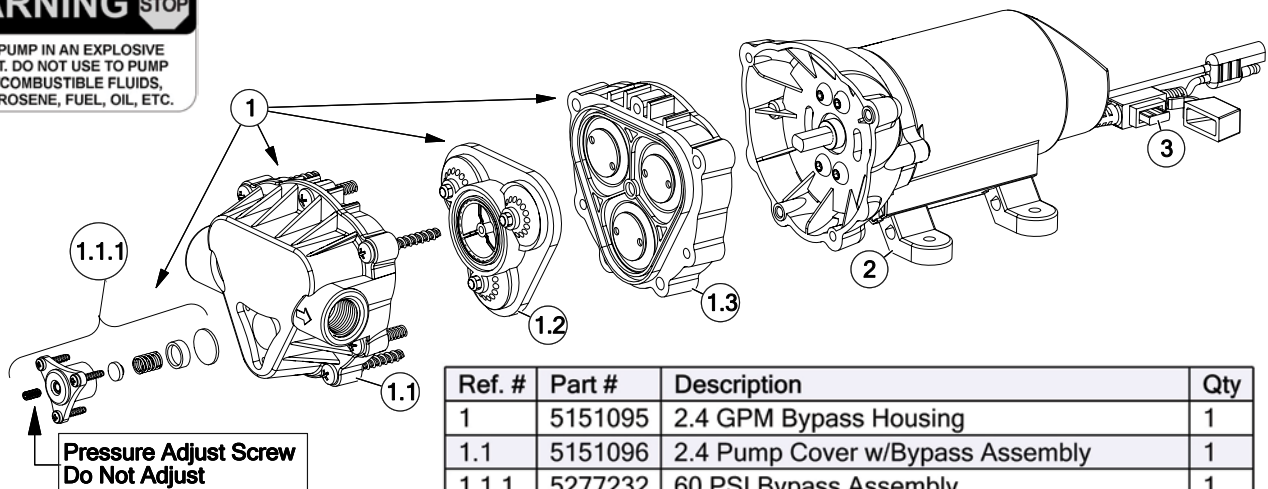
- RELIEF VALVE MODELS have pressure controlled by an internal relief valve, and run continuously unless electric current is turned off.
- Diaphragm design eliminates troublesome shaft seal.
- Pump can be run indefinitely without damage.

- Ball bearing drive - assures longer pump life.
- Excellent self-priming capability.
- Santoprene diaphragms and viton valves are standard.
- Maximum temperature of pumped liquid 130°F.
- Permanent magnet motor - long life brushes.

- Fuse Protected
- Built-In cooling fan

Boxed Part #	Individual Part #	Volts	Amps	Demand Switch or Relief Valve	Max Pressure	GPM	UPC Code
5151089	5281373	12	8.0	Relief Valve	60	2.4	733029118097 (Boxed)

STOP WARNING STOP
DO NOT USE PUMP IN AN EXPLOSIVE ENVIRONMENT. DO NOT USE TO PUMP FLAMMABLE/COMBUSTIBLE FLUIDS, GASOLINE, KEROSENE, FUEL, OIL, ETC.



Ref. #	Part #	Description	Qty
1	5151095	2.4 GPM Bypass Housing	1
1.1	5151096	2.4 Pump Cover w/Bypass Assembly	1
1.1.1	5277232	60 PSI Bypass Assembly	1
1.2	5143544	Check Valve Assembly	1
1.3	5063270	2.4 GPM Diaphragm/Piston/Cam/Bearing Kit	1
2	5095202	Pump Mount Feet (4 Pack)	1
3	5164274	10 Amp 'Mini Blade' Fuse	1

Pump Model: 5281373
Available Replacement Parts
Replacement Pump: 5151089