

# 12 VOLT HIGH PERFORMANCE PUMPS

## HIGH-FLO HIGH PERFORMANCE 2.4 G.P.M.



**2 YEAR WARRANTY**

- 2.4 G.P.M. High Performance 12 Volt Pump
- 60 PSI Max Pressure
- Increased Flow Rates
- In-Line Fuse Protection
- 12 Volt Dc Power
- Self Priming - 8 Ft To 14 Ft
- Runs Dry Without Damage
- Chemical Resistant Elastomers
- Quick Attach Ports
- Fan Cooled Motor

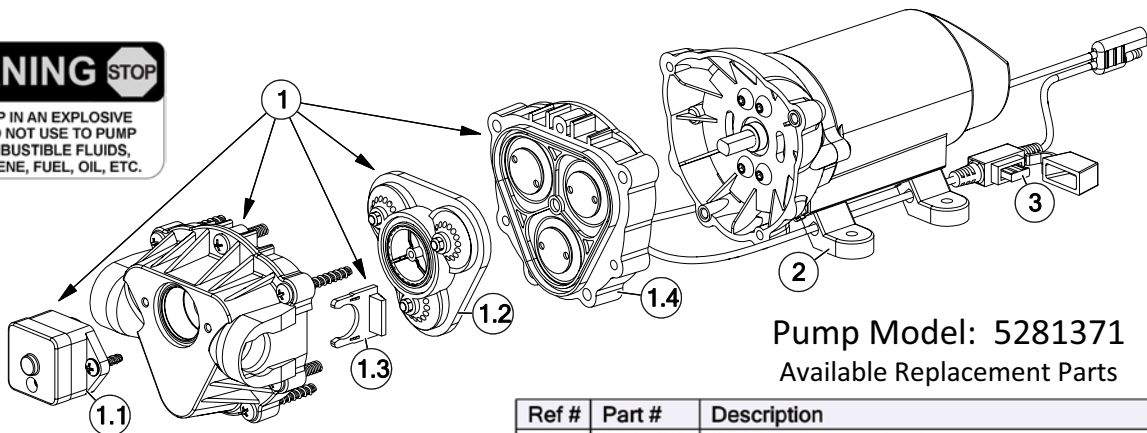
- DEMAND SWITCH MODELS operate only when liquid flow is required. Pump and motor stop instantly when discharge is closed.
- Diaphragm design eliminates troublesome shaft seal.
- Pump can be run indefinitely without damage.

- Ball bearing drive - assures longer pump life.
- Excellent self-priming capability.
- Santprene diaphragms and viton valves are standard.
- Maximum temperature of pumped liquid 130°F.
- Permanent magnet motor - long life brushes.

- Fuse Protected
- Built-in cooling fan

Boxed Part #	Individual Part #	Volts	Amps	Demand Switch or Relief Valve	Max Pressure	GPM	UPC Code
5151087	5281371	12	8.0	Demand Switch	60	2.4	733029118073 (Boxed)

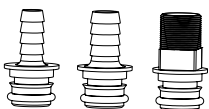
**STOP WARNING STOP**  
DO NOT USE PUMP IN AN EXPLOSIVE ENVIRONMENT. DO NOT USE TO PUMP FLAMMABLE/COMBUSTIBLE FLUIDS, GASOLINE, KEROSENE, FUEL, OIL, ETC.



Pump Model: 5281371  
Available Replacement Parts

### Replacement Pump: 5151087

Includes:



- 1/2" MNPT Port Kit Fitting #5168832
- 1/2" Hose Barb Port Kit Fitting #5168833
- 3/8" Hose Barb Port Kit Fitting #5168836

Ref #	Part #	Description	Qty
1	5164273	2.4 GPM Upper Housing	1
1.1	5157202	60 PSI Pressure Switch Assembly	1
1.2	5143544	Check Valve Assembly	1
1.3	5051162	Pump Slide Clips (Pkg/2)	1
1.4	5063270	2.4 GPM Diaphragm /Piston/Cam/Bearing Kit	1
2	5095202	Pump Mount Feet (4 Pack)	1
3	5164274	10 Amp 'Mini Blade' Fuse	1