

12 VOLT HIGH PERFORMANCE PUMPS

HIGH-FLO 1.2 G.P.M. HIGH PERFORMANCE



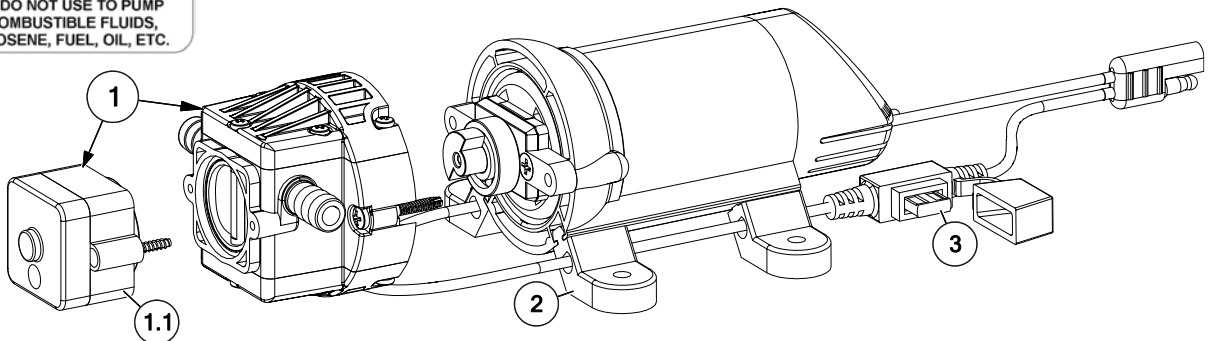
- 1.2 G.P.M. High Performance 12 Volt Pump
- 60 PSI Max Pressure
- Increased Flow Rates
- In-Line Fuse Protection
- 12 Volt Dc Power
- Self Priming - 8 Ft To 14 Ft
- Runs Dry Without Damage
- Chemical Resistant Elastomers
- 3/8" Hose Barbs
- Fan Cooled Motor

**2 YEAR
WARRANTY**

- DEMAND SWITCH MODELS operate only when liquid flow is required. Pump and motor stop instantly when discharge is closed.
- Diaphragm design eliminates troublesome shaft seal.
- Pump can be run indefinitely without damage.
- Ball bearing drive - assures longer pump life.
- Excellent self-priming capability.
- Santoprene diaphragms and viton valves are standard.
- Maximum temperature of pumped liquid 130°F.
- Permanent magnet motor - long life brushes.
- Fuse Protected
- Built-In cooling fan

Boxed Part #	Individual Part #	Volts	Amps	Demand Switch or Relief Valve	Max Pressure	GPM	UPC Code
5151086	5281370	12	4.0	Demand Switch	60	1.2	733029118134 (Boxed)

STOP WARNING STOP
DO NOT USE PUMP IN AN EXPLOSIVE ENVIRONMENT. DO NOT USE TO PUMP FLAMMABLE/COMBUSTIBLE FLUIDS, GASOLINE, KEROSENE, FUEL, OIL, ETC.



Pump Model: 5281370

Available

Replacement Parts

Replacement Pump: 5151086

Ref. #	Part #	Description	Qty
1	5164272	1.2 GPM Pump Head	1
1.1	5164271	60 PSI Pressure Switch Assembly	1
2	5095202	Pump Mount Feet (4 Pack)	1
3	5157204	5 Amp 'Mini Blade' Fuse	1