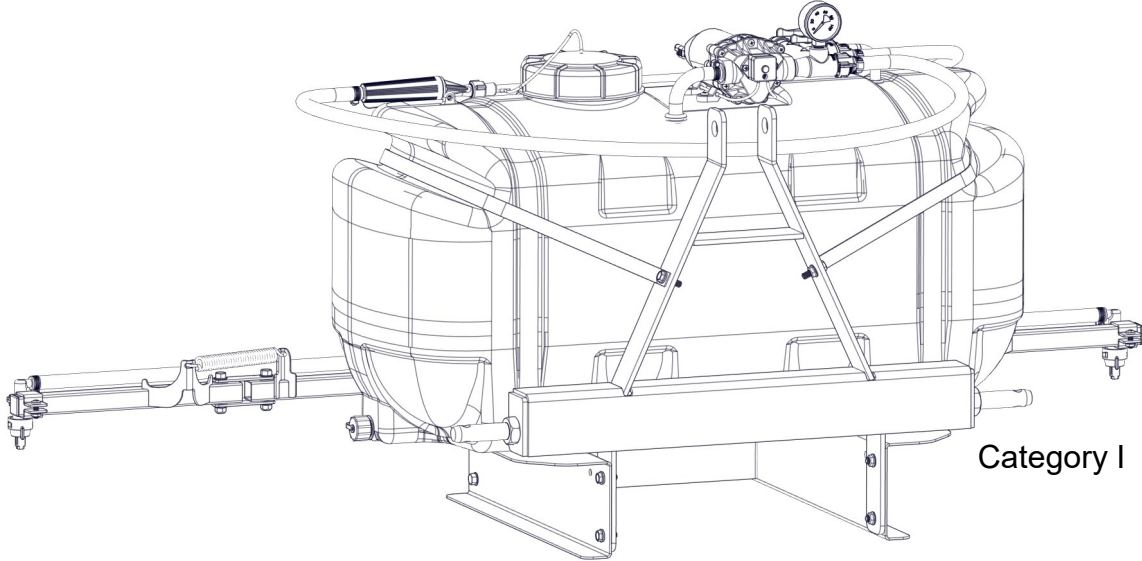


OWNER'S MANUAL

Model: 30-3N-3PT-GS (5303678)

(30 Gallon, 12-Volt, Bolt-Together, 3 Point Sprayer w/3-Nozzle Boom)



General Information

Thank you for purchasing this product. The purpose of this manual is to assist you in operating and maintaining your 3-Point sprayer.

**BEFORE RETURNING THIS PRODUCT
FOR ANY REASON, PLEASE CALL**

1-800-831-0027

MONDAY-FRIDAY, 8:00 AM TO 5:00 PM CST

If you should have a question or experience a problem with your Fimco Industries Product: Visit our website @ www.fimcoindustries.com or call the Toll free number above. Our technical support representatives will be happy to help you.

In most cases a customer service rep. can resolve the problem over the phone.

To obtain prompt, efficient service, always remember to give the following information....

- Correct Part Description and/or part number
- Model number and Serial Number

Part descriptions and numbers can be obtained from the illustrated parts list section(s) of this manual.

Retain a copy of your receipt for your unit, as it will be required to validate any warranty service.

Warranted against manufacturer or workmanship defects from date of purchase with copy of receipt:



Homeowner Usage: Sprayer-One Year and Pump-Two Years.

Commercial Usage: Sprayer and Pump-90 Days.

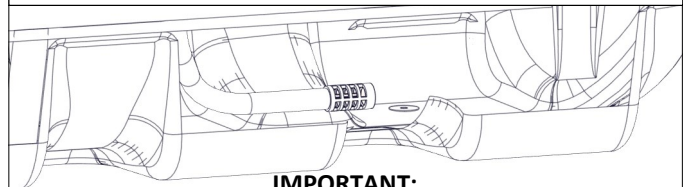


WARNING: Cancer and Reproductive Harm.
www.P65Warnings.ca.gov



WARNING: To reduce the risk of injury, the user must read and understand the operator's manual before using this product.

IMPORTANT REMINDER



IMPORTANT:

Occasionally check the strainer screen to ensure it is clean and clear of any debris, especially if experiencing a sudden loss of pressure. Strainer is located on the end of the intake hose, inside of the tank. Use protective gear when removing hose from tank and cleaning the strainer.



www.fimcoindustries.com

1000 FIMCO Lane, P.O. Box 1700, North Sioux City, SD 57049
Toll Free Phone: 800-831-0027 : Toll Free Fax: 800-494-0440

[5195789

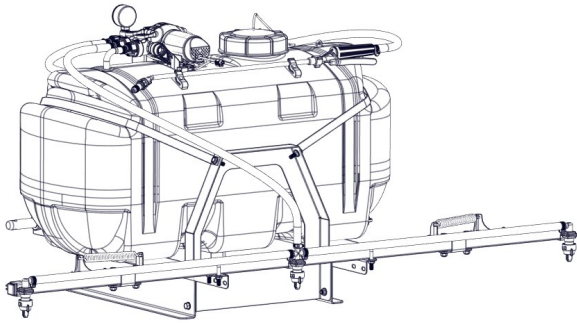
(08/22)]

Contents

Technical Specs.....	2	Pump Exploded View and Parts List	9
Sprayer Contents	3	Trouble Shooting	8 - 10
Sprayer and Boom Assembly	4 - 5	Sprayer Exploded View and Parts List	11
Operation.....	6	Boom Exploded View and Parts List	12
Calibration and Tank Care	7	Sprayer Dimensions.....	13
Maintenance and Winter Storage	8	Warranty	14

Model: 30-3N-3PT-GS (5303678)

(30 Gallon, 12 Volt, Bolt-Together, 3 Point Sprayer w/3-Nozzle Boom)



Technical Specifications

- 30 Gallon Corrosion-Resistant Polyethylene Tank
- 12 Volt Diaphragm Pump, 2.4 GPM - 60 PSI
- Low-Flow Spraygun w/15' of Hose (3/8" I.D.)
- 16' Vertical Throw, 30' Horizontal Throw
- Bolt-Together Frame
- 3-Nozzle Boom, 90" Spray Coverage
- Corrosion-Resistant Nozzles
- Check Valve Strainers, 50 Mesh, 5 PSI

CAUTION: When fully filled with water, this sprayer will weigh approx. 315 Lbs.
Always check the vehicle load rating before using this sprayer. Do not exceed the recommended rating.

~~~~~IMPORTANT~~~~~

Remove tank lid and be sure the tank is clean and free of any foreign material. Rinse tank out of any tank residue before filling with water to test.

~~~~~IMPORTANT~~~~~

It is VERY important to test this sprayer with plain water before actual spraying is attempted. This will enable you to check the sprayer for leaks without the possibility of losing any expensive chemicals.

~~~~~WARNING~~~~~



Read and Understand the Owner's Manual before using this sprayer. Test and use in accordance to instructions.
Read and Follow chemical label instructions and wear protective gear when filling, using, cleaning and servicing the sprayer.

Exercise Caution in vehicle handling when towing/hauling a filled sprayer to avoid loss of control or overturning.

Keep Sprayer and Spray materials away from other people, children and pets.

Do Not Turn on Power to the sprayer, until ready to spray in order to avoid unintentional spray release.

Do Not Use on steep slopes. A full sprayer could cause loss of control or overturn sprayer and vehicle.

Always operate up and down a slope, never across the face of a slope.

Keep all movement on slopes slow and gradual. Do not make sudden changes in speed, directions or turning. Do not start or stop suddenly when going uphill or downhill.

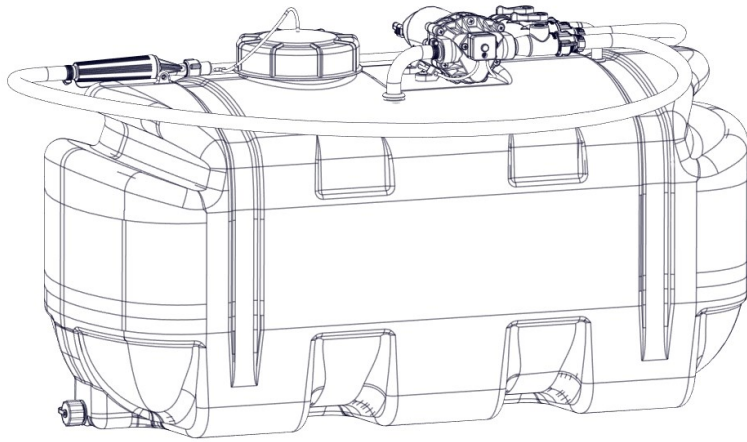
Stop on level ground, set the parking brake and shut off engine before leaving the operator's position for any reason.

Keep all parts in good condition and properly installed. Fix damaged or worn parts immediately.

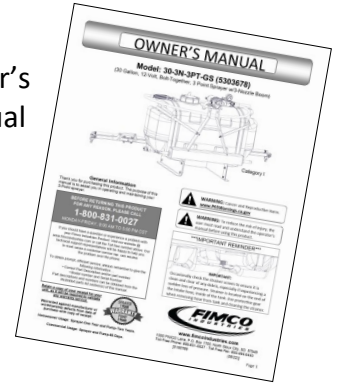
Caution should be taken when towing and/or using any sprayer. This sprayer combined with the weight distribution, turning radius and speed of vehicle can result in damage to vehicle and/or sprayer or severe injury or death, if not used properly.

Improper use of this sprayer or handling of chemicals could result in serious injury or illness, or could cause damage to the environment.

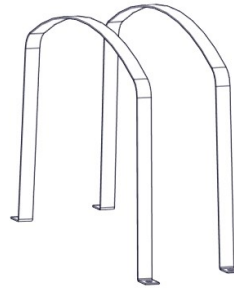
Sprayer Contents:



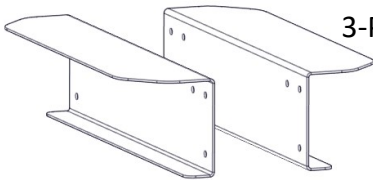
Owner's Manual



Tank/Plumbing Pre-Assembly



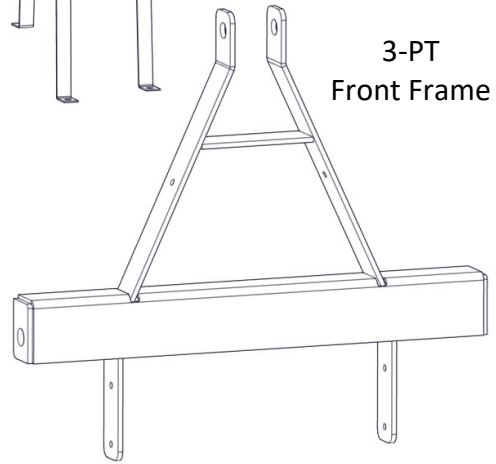
Tank Straps



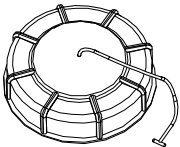
3-PT GS Sides



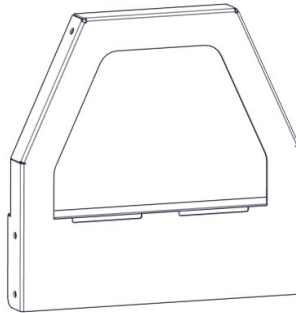
Boom Mounts



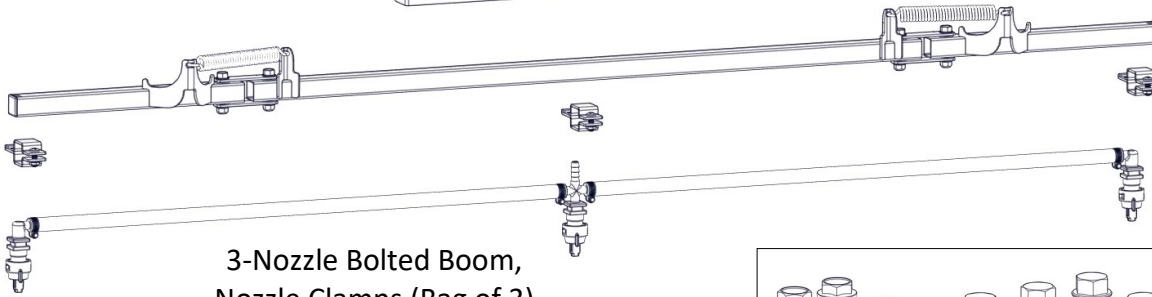
3-PT Front Frame



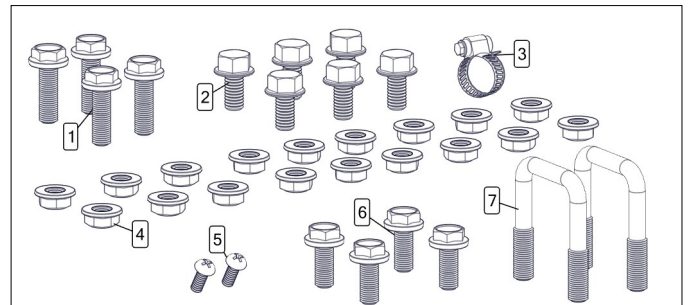
Tank Lid & Lanyard



3-PT Back Frame

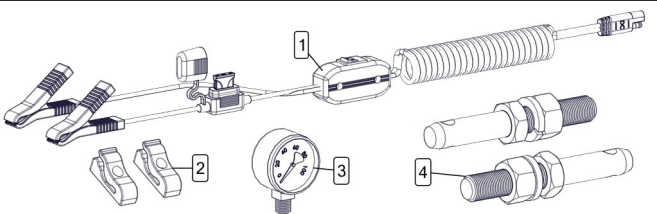


3-Nozzle Bolted Boom,
Nozzle Clamps (Bag of 3)
& 3-Nozzle Harness (30" Spacing)



Contents of Bolt Bag 5282586

Ref. #	Part #	Description	Qty
1	5117300	5/16-18 x 1.00 Fling Hex Bolt	4
2	5034634	5/16-18 x 0.625 Fling Hex Bolt	6
3	5051144	Hose Clamp (3/8")	1
4	5006307	5/16-18 Serrated Fling Hex Nut	18
5	5117334	#10-24 x 0.50 PH Round Head Screw	2
6	5117323	5/16-18 x 0.75 Fling Hex Bolt	4
7	5034159	5/16-18 x 1.3125 x 1.875 Square U-Bolt	2



Contents of Parts Bag # 5282583

Ref. #	Part #	Description	Qty
1	5278114	Lead Wire Assembly w/15A Fuse (96" Long)	1
1.1	5157238	15 Amp Regular Blade Fuse	1
2	5053096	Spray Wand Clip	2
3	5167007	Pressure Gauge, 0-100 PSI	1
4	5101294	Lift Arm Pin - Cat 1	2

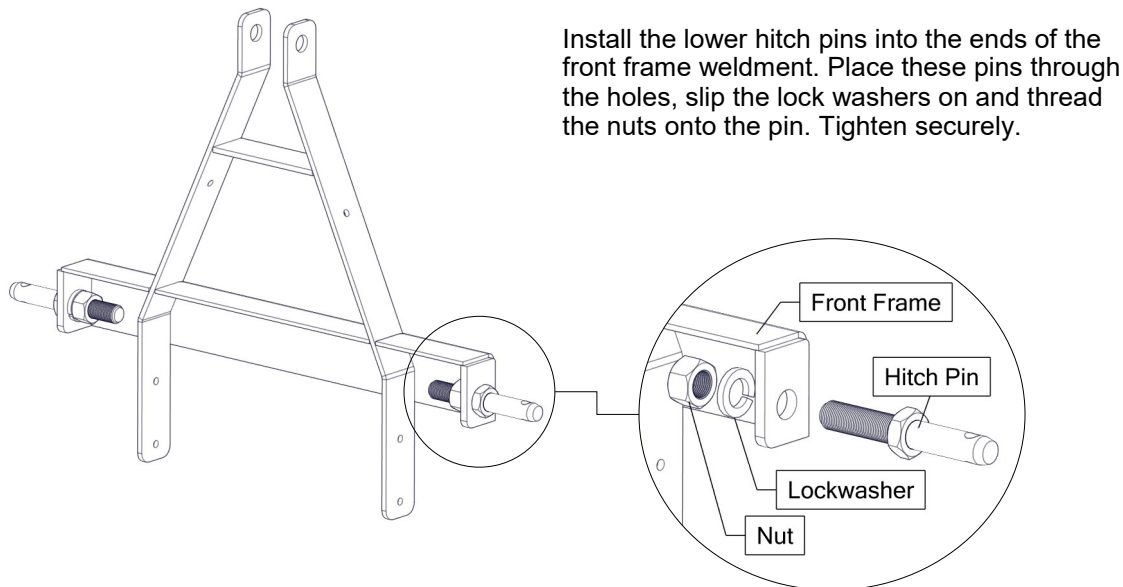
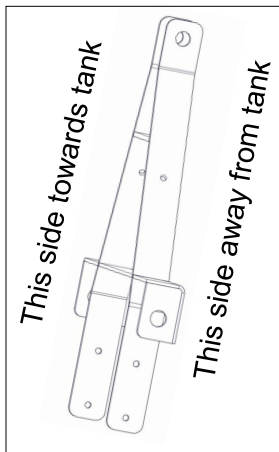
Assembly Instructions:

Your sprayer has been partially assembled at the factory.

Make sure the contents of the sprayers carton match the items shown on page 3 of the manual.

Remove all parts from the box and follow the instructions on pages 4 and 5 to complete assembly of this unit.

Step 1



Step 2

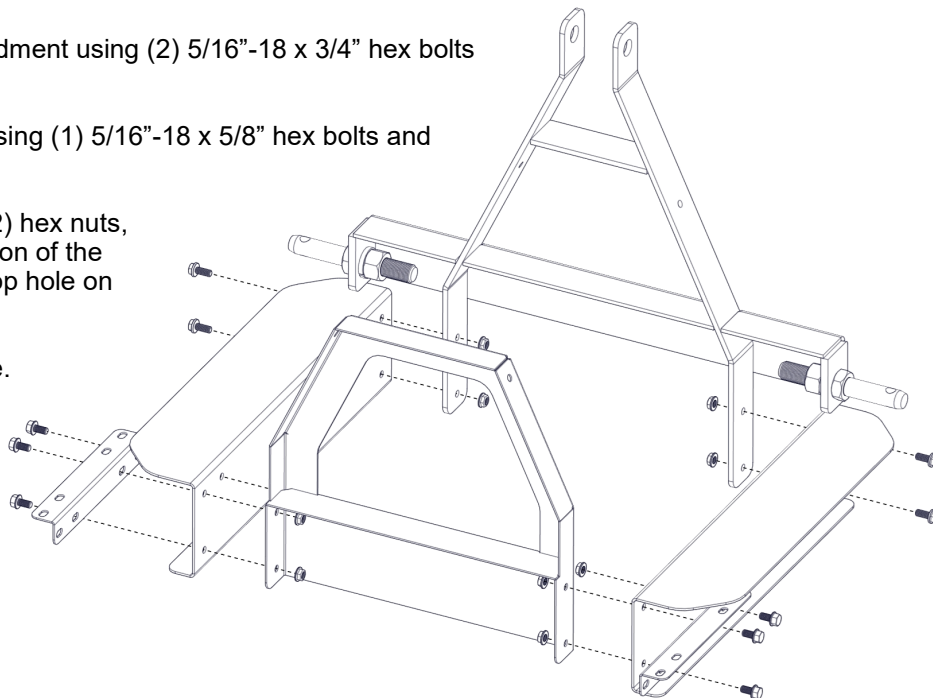
Bolt the frame together as shown.

Attach a side plate to the front frame weldment using (2) 5/16"-18 x 3/4" hex bolts and (2) hex nuts.

Attach the back frame to the side plate using (1) 5/16"-18 x 5/8" hex bolts and (1) hex nuts on the lower part of frame.

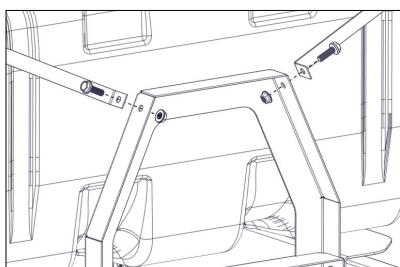
Using (2) 5/16"-18 x 5/8" hex bolts and (2) hex nuts, attach the boom mount to the upper portion of the side plate also, connecting through the top hole on the back frame.

Repeat procedure for the other side plate.

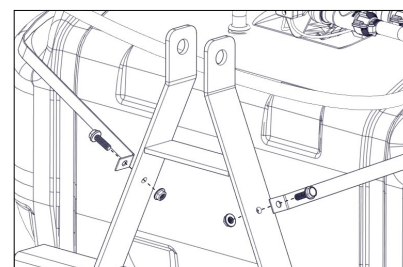


Step 3

Place the sprayer on the assembled frame and then secure with the tank straps.



Tank straps will go around the side of the tank and then attach to both the front frame and back frame, as shown, using (2) 5/16"-18 x 1" hex bolts and (2) hex nuts for each strap. This will secure the tank in place.

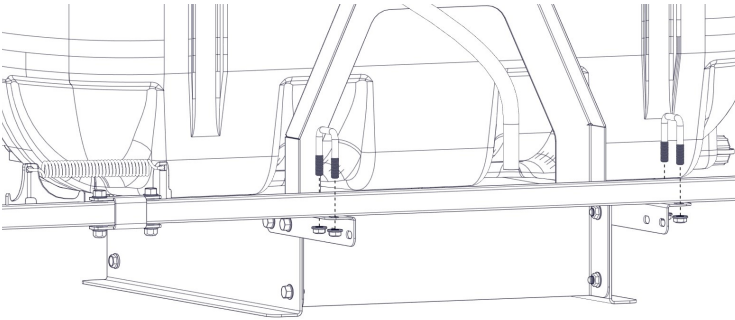


Assembly Instructions:

Step 4

Next, attach the 3-nozzle bolted boom to the boom mounts, centering it on the unit. Secure using the (2) U-Bolts and (4) 5/16"-18 hex nuts.

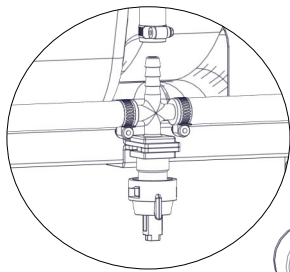
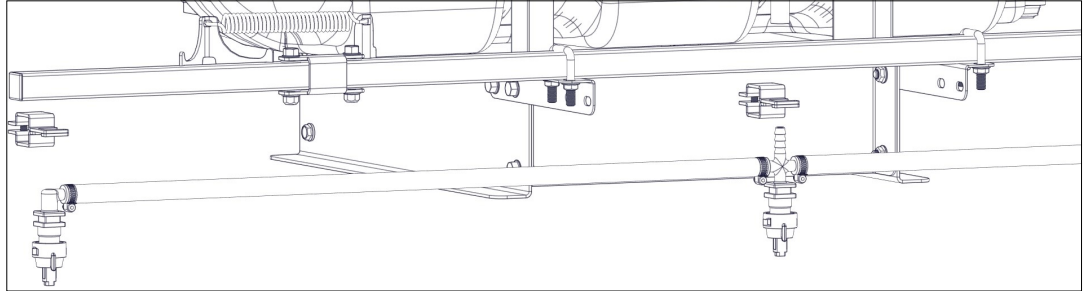
Make sure the outer boom members fold 'backwards'.



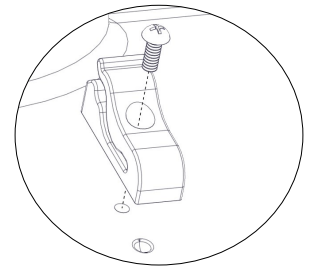
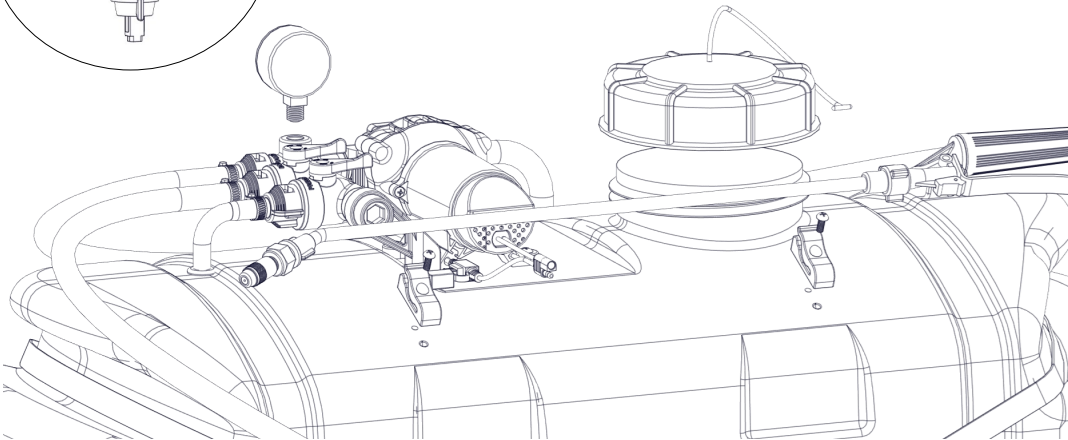
Step 5

With the boom secured to the boom mounts, the nozzle harness can now be attached.

Center the nozzle harness to the boom and using the nozzle clamps, attach the nozzle harness to the boom.



After your nozzle harness is attached to the boom, attach the boom feeder hose. Place a hose clamp loosely over the end of the hose. Slip the end of the hose over the hose barb on nozzle cross tee on the nozzle harness. Use a twisting motion, if necessary to get the hose fully onto the barb. Bring the hose clamp to the connection point and tighten securely.



Step 6

Thread the pressure gauge into the port on the manifold. Hand tight should be sufficient.

Attach the wand clips to the tank. Place a screw in the hole in the clip and bring up to the tank. Use a phillips head screwdriver to secure the holders in place. ****Do Not Over-Tighten****

Do not use excessive force when placing the handgun into the clips, as this could cause breakage.

Finally, thread the lid on to the tank, if not already done.

- **Make sure all hose clamps are tight** before testing or spraying for the first time.
- Connect sprayer lead wire to a fully charged 12V battery to power the sprayer pump. The towing vehicle battery can be used or a stand-alone 12V battery.
- The drain plug assembly should already be attached to the tank.

****The Sprayer is now ready to TEST w/plain water before actual use****

IMPORTANT: Remove tank lid and be sure the tank is clean and free of any foreign material. Rinse tank out of any tank residue before filling with water to test.

Testing the Sprayer

NOTE:

It is VERY important to test the sprayer with plain water before actual spraying is attempted. This will enable you to check the sprayer for leaks without the possibility of losing any expensive chemicals.

Important: After any repair work has been done, ALWAYS test for leaks with water before using.

Fill the tank about 1/2 full with plain water and drive to the starting place for spraying.

When you are ready to spray, turn the boom valve to the “on” position (Detail A). This will start solution spraying from the tips of the boom. The pressure will decrease slightly when the boom is spraying.

Adjust the pressure by turning the “ON/OFF” valve lever on the bypass (Press Adj) line valve (Detail B). Make sure your pattern is sufficient. You may down-pressure the system by ‘bypassing’ solution back into the tank. This is achieved by opening the bypass (Press Adj) valve. Regulating pressure is done in this manner.

Read the operating instructions and initially begin spraying by closing the ‘Pressure Adjust’ valve and opening the boom line valve (Detail A). This will enable the air in the line to be eliminated (purged) through all the tips, while building pressure. When everything tests all right (no leaks and good pressure), add the desired chemicals to the mixture and water combination and start your spraying operation. Adjust the pressure and spray as you did in the testing procedure.

Conditions of weather and terrain must be considered when setting the sprayer. Do not spray on windy days. Protective clothing must be worn in some cases.

Be sure to read the chemical label(s) before application!

Operation

The pumping system draws solution from the tank, through the strainer and to the pump. The pump forces the solution under pressure to the handgun or boom nozzles.

Fill the tank part way with water and then add the desired amount of chemical to be sprayed. Finish filling tank to proper level.

Only fill the tank with what you’re going to spray in a day, never leave chemicals sit in tank or pump.

Connect the lead wire to a fully charged 12 volt battery. You may use either a stand-alone battery or the battery on your towing vehicle. Connect to the positive (red) terminal first, then connect to the negative (black) terminal. Then connect the end of the lead wire to the end of the pump. When disconnecting, disconnect the end of the pump wire from the lead wire, then disconnect the negative (black) connection and finally the positive (red) connection. The lead wire has an On/Off switch to activate the pump. “-” is on and “O” is off.

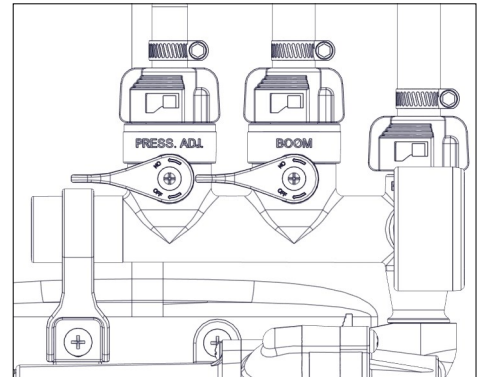
Turn the pump on by depressing the “-” side of the rocker switch. The pump is equipped with a pressure switch that is pre-set at the factory to shut the pump off when all discharges are closed. Only fill the tank with what you’re going to spray in a day, never leave chemicals sit in tank.

The pump will turn back on when one of the following actions occurs:

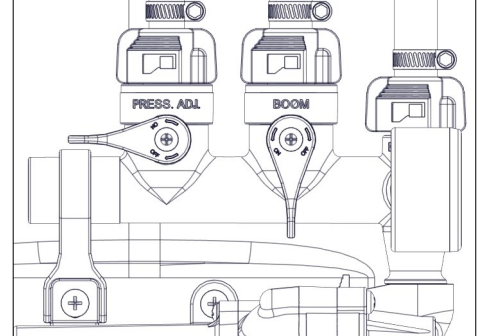
- ◆ Handgun lever is squeezed to spray the handgun.
- ◆ Boom valve is opened to broadcast spray with the boom.
- ◆ Bypass (Press Adj) valve is opened to re-circulate solution back into the tank.

When spraying with either the boom or the handgun, pressure may be reduced by slowly opening the bypass (Press Adj) valve until desired pressure is achieved. Opening the valve decreases pressure, closing the valve increases pressure. When spraying with the boom, the proper method to set the pressure is to open the boom valve completely and if a lower pressure is desired, then slowly open the bypass (Press Adj) valve until that pressure is obtained.

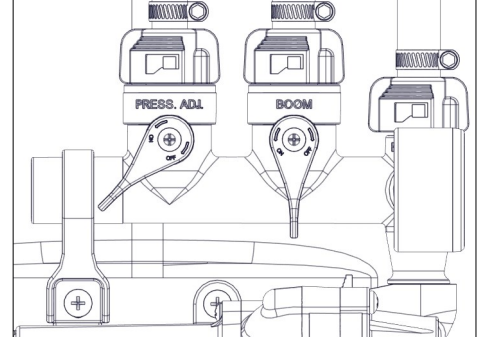
Manifold Valves CLOSED



Detail A



Detail B



Calibration

For the safest and most efficient chemical application, you will need to calibrate your sprayer using the tip and speed charts. Once you have determined the proper speed and pressure settings, you will need to consult your chemical label for the amount of chemical to be added to the tank. Read the entire label. Use only according to label directions.

Chemical labels may show application rates in gallons per acre, gallons per 1000 square feet or gallons per 100 square feet. You will note that the tip chart shows 2 of these rating systems. Once you know how much you are going to spray, then determine (from the tip chart) the spraying pressure (PSI), and the spraying speed (MPH).

Determining the proper speed of the pulling vehicle can be done by marking off 100, 200 & 300 feet. The speed chart indicates the number of seconds it takes to travel the distances. Set the throttle and with a running start, travel the distances. Adjust the throttle until you travel the distances in the number of seconds indicated by the speed chart. Once you have reached the throttle setting needed, mark the throttle location so you can stop and go again, returning to the same speed.

Add water and proper amount of chemical to the tank and drive to the starting place for spraying.

AIXR11002VP Spray Tip Rate Chart (30" Spacing)								
	Pressure (psi)	Capacity (GPM)	1 MPH	2 MPH	3 MPH	4 MPH	5 MPH	6 MPH
Gallons Per Acre Based on Water	15	.12	23.50	11.70	7.80	5.90	4.70	3.90
	20	.14	27.50	13.70	9.10	6.90	5.50	4.60
	30	.17	33.30	16.60	11.10	8.30	6.70	5.50
	40	.20	39.30	19.70	13.10	9.80	7.90	6.50
Gallons Per 1000 Sq. Ft. Based on Water	15	.12	.54	.27	.18	.13	.11	
	20	.14	.64	.32	.21	.16	.13	
	30	.17	.76	.38	.26	.19	.15	
	40	.20	.90	.45	.30	.22	.18	

Speed Chart			
	Time Required in seconds to travel a distance of		
Speed in M.P.H. (Miles Per Hour)	100 Ft.	200 Ft.	300 Ft.
1.0	68 sec.	136	205
2.0	34	68	102
3.0	23	45	68
4.0	17	34	51
5.0	14	27	41

Using the Boom Nozzles

Four things must be considered before spraying with the boom.

1. How much chemical must be mixed in the tank.
 2. Rate of spray (gallons per acre to be sprayed).
 3. What pressure (p.s.i.) will be used.
 4. Speed traveled (mph) while spraying.
- * Refer to the chemical label to determine your chemical mixture
 - * See the tip chart to determine the pressure to be used. The chart will also show the speed used when spraying.
 - * Start the pump and open the valve to the boom nozzles.
 - * Check the spray pattern. Usually you can see the coverage better on a solid concrete surface, such as a driveway.

Tank Care & Maintenance

Warning: Do not use the tank as a container for fuel oils, kerosene, gasoline or any other petroleum distillate product. All polyolefins are softened and permeated by such products. In an enclosed area the vaporization of these materials from the outside surface of the tank could create a dangerous condition.

The tank should not be used as a pressure vessel nor used with chemicals or solutions having a weight of more than 12 pounds per gallon.

Store the tank in a dry dark place when not in use. Storage out of sunlight will prolong the life of the tank.

Do not drop, strike or kick the tank, especially at low temperatures. Tanks become brittle and are subject to cracking at temperatures below 20° Fahrenheit.

Always flush the tank with water and a neutralizing agent at the end of each use, to prevent contamination of solutions.

Maintenance During/After Spraying

Periodically check the strainer and clean the screen on your intake line.

If sprayer becomes clogged during use, discontinue use immediately. DO NOT attempt to service while chemicals are in the sprayer and power is connected.

Proper care and maintenance will prolong the life of your sprayer.

After use, drain the tank and store or dispose of chemical properly. Never allow chemical to sit in the sprayer or pump for long periods of time. Fill the sprayer half way with clean water. Start the pump and allow the water to pump through the entire plumbing system and nozzles. Drain and then refill half full, add the recommended amount of a good quality tank cleaner, such as FIMCO Tank Neutralizer and Cleaner. (If no tank cleaner is available, you may substitute dish soap for this step, about 1-2 oz. per gallon). A neutralizer/cleaner should be used to thoroughly clean the system.

Turn pump on and circulate through system for 15 minutes and then spray out through boom and handgun nozzles. Refill sprayer half way with clean water and repeat. Follow the chemical manufacturer's disposal instructions of all wash or rinsing water.

If boom or handgun nozzles need cleaning, remove them from the sprayer and soak in warm soapy water. Clean with a soft bristled brush or toothpick if necessary. Never use a metal object. Even the slightest damage can change the flow rate and spray distribution. Water rinse and dry the tips before storing.

WARNING: Some chemicals will damage the pump valves if allowed to soak untreated for a length of time! ALWAYS flush the pump as instructed after each use. DO NOT allow chemicals to sit in the pump for extended times of idleness. Follow the chemical manufacturer's instructions on disposal of all waste water from the sprayer.

Winter Storage

Prepare the sprayer for end-of-season storage by running RV antifreeze through the system. This will keep internal parts lubricated, protect against corrosion and keep the unit from freezing. *Note: RV antifreeze is non-toxic and biodegradable and generally safer for the environment than automotive antifreeze.*

Before storing your sprayer for winter or long term storage, thoroughly clean and drain it as much as possible. Then pour enough pink RV antifreeze into the tank so that when the pump is turned on you can pump the antifreeze throughout the entire plumbing system, including the bypass. Make sure to operate the boom and handgun until you see pink fluid spraying from the nozzles. Leave any remaining antifreeze in the tank. Before your next usage, rinse the antifreeze from the sprayer with clean water. It is nearly impossible to drain all of the water from the sprayer and any trapped water can freeze in cold weather and damage parts of the sprayer. Pumping the antifreeze through the system will displace the water and help prevent this damage. Removing from storage: drain the antifreeze. Fill the tank with fresh water and run through the system. Dispose of antifreeze and flush water properly.

Sprayer and Pump FAQs:

◆ Why does the pump not run all the time?

This is an on-demand pump and only runs when a discharge is open (spray gun, bypass, boom (if applicable) or a leak is in the system).

◆ Why does the pump surge while using the spray gun?

Low flow/high pressure may cause the pump to surge (or cycle). Typically the spray wand is adjusted at too fine of a mist, to overcome, adjust the nozzle for a higher flow.

◆ How do I adjust the pressure?

Pressure can only be adjusted by opening the pressure adjust (bypass) valve to allow some of your water or solution to return to the tank (if equipped).

◆ Pump quit and will not run, what do I need to do?

Squeeze trigger on spray gun to ensure that the system isn't just pressurized up with discharges closed. Check electrical connections, ensure switch is on. Check fuses. Check for proper voltage. Check pressure switch.

◆ Low flow or no flow at all, what do I need to check for?

Check for clogged or kinked intake hose and/or clogged intake strainer. Check for proper voltage. Occasionally check your intake strainer to ensure that it is clean of any debris.

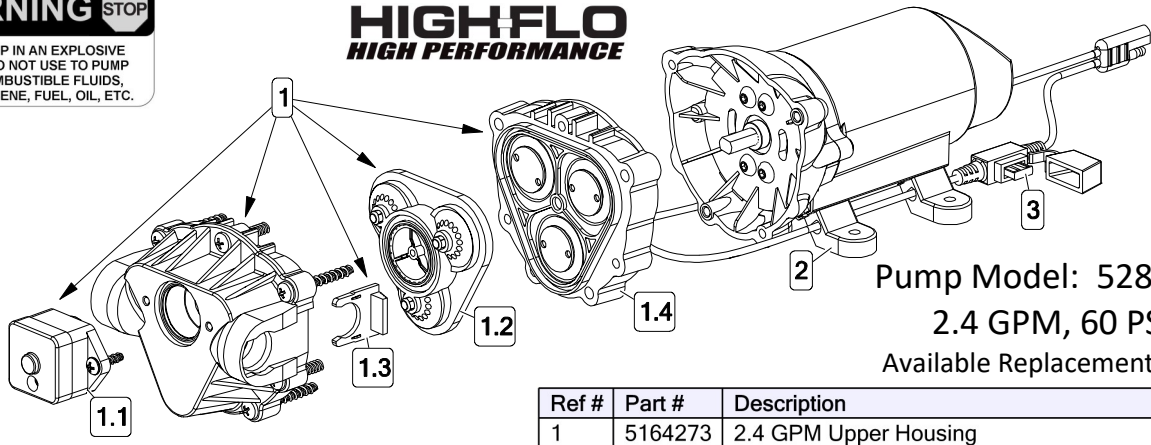
◆ What is causing the fuse to blow each time I turn the pump on?

Check for excessive voltage. Improper adjustment of the pressure switch. Damaged or defective wire harness or defective pressure switch.

Warning: Ensure the wiring harness does not become pinched or damaged in any way. This may damage the pump or cause the wiring harness to overheat, resulting in a melt down or fire.

STOP WARNING STOP
 DO NOT USE PUMP IN AN EXPLOSIVE ENVIRONMENT. DO NOT USE TO PUMP FLAMMABLE/COMBUSTIBLE FLUIDS, GASOLINE, KEROSENE, FUEL, OIL, ETC.

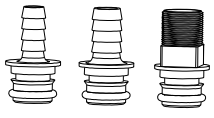
HIGH FLO
 HIGH PERFORMANCE



Pump Model: 5281371
2.4 GPM, 60 PSI
 Available Replacement Parts

Replacement Pump: 5151087

- Includes:
- 1/2" MNPT Port Kit Fitting #5168832
 - 1/2" Hose Barb Port Kit Fitting #5168833
 - 3/8" Hose Barb Port Kit Fitting #5168836



Ref #	Part #	Description	Qty
1	5164273	2.4 GPM Upper Housing	1
1.1	5157202	60 PSI Pressure Switch Assembly	1
1.2	5143544	Check Valve Assembly	1
1.3	5051162	Pump Slide Clips (Pkg/2)	1
1.4	5063270	2.4 GPM Diaphragm /Piston/Cam/Bearing Kit	1
2	5095202	Pump Mount Feet (4 Pack)	1
3	5164274	10 Amp 'Mini Blade' Fuse	1

DO

- Clean and rinse your pump after each use with Fimco Tank Neutralizer.
- Winterize your pump or sprayer by rinsing, draining and running RV Antifreeze through it before storing for the winter.
- Use clean water for your spray mixture.
- Store inside a building when not in use.

DON'T

- Use to pump bleach.
- Use to pump petroleum products such as diesel fuel, gasoline or kerosene.
- Use to pump chemicals w/petroleum distillates or surfactants.
- Use to store flammable or combustible liquids.
- Leave your pump sit with spray mixture in it for extended periods.
- Use dirty or unfiltered water for spraying.

STOP WARNING STOP

DO NOT USE PUMP IN AN EXPLOSIVE ENVIRONMENT. DO NOT USE TO PUMP FLAMMABLE/COMBUSTIBLE FLUIDS, GASOLINE, KEROSENE, FUEL, OIL, ETC.

CAUTION

PRESSURE SWITCH OPERATION
 Pressure switch is pre-set at the factory. Improper adjustment of the pressure, may cause severe overload or premature failure. If pump is subjected to rapid cycling during normal operations or infrequent periods, damage may occur.

Before Troubleshooting or Attempting to Service the Pump:

- ◆ **Review Troubleshooting Chart:** Do Not attempt to repair until steps below are followed.
- ◆ **Personal Protective Gear:** Wear protective gear when servicing pump.
- ◆ **Disconnect Power:** Disconnect the power to the pump and relieve the pressure from the system.
- ◆ **Empty and Flush** pump system with water, never attempt to service the pump until it has been emptied and flushed.
- ◆ **Perform Repairs:** Follow directions provided in the troubleshooting section to repair the pump.
- ◆ **Test:** Always test the pump for leaks with plain water after any repairs before using.

Troubleshooting

Pump will not run:	Check for loose wiring	Pump surges:	Low flow may cause pump to surge
	Make sure the ON/OFF switch is on		Spray Wand is adjusted to small or fine of a spray pattern
	Check the fuse		Check for defective pressure switch
	Check for defective pressure switch		Check for leaks in the discharge line
	Check to see if connected to good 12 Volt Power Source		Check for debris in nozzle orifice
	Check for Low Voltage		Discharge hose may be too long
Pump Does Not Prime (No Discharge w/Motor Running)	Check for clogged strainer/filter	Pump continues to run:	Check for clogged strainer/filter
	Check for kinked inlet/outlet hoses		Check for worn or dirty check valve
	Check for empty product supply		Slightly open bypass (if applicable) to overcome
	Check for defective check valve		Pressure switch may need to be adjusted
	Check for debris in the check valve assembly		1/4 turn at a time clockwise until surging stops
	Check for cracks in the pump housing		Check for worn or dirty check valve
Low Pressure/ Low Flow:	Check for air leaks in supply line	Fuse blows:	Check for empty product supply
	Check for a clogged strainer		Check for Low Voltage
	Check for proper voltage Try another 12-Volt battery		Check for leaks in the discharge line
	Check for leaks in the discharge line		Check for defective pressure switch
	Check for restrictions in the discharge line		System has leaks
	Check for debris in intake		Air trapped in outlet line or pump head
	Check for debris in nozzle orifice		Excessive voltage
Check for worn or dirty check valve	Improper adjustment of pressure switch		
		Damaged or defective wiring harness	Defective pressure switch

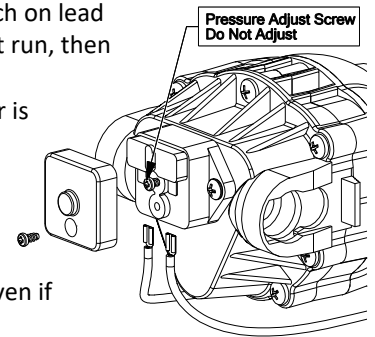
Motor is NOT Running - Checking the Pressure Switch:

If motor is not running and you've checked the following: for loose wiring connections, fuse, switch on lead wire was "ON" and made sure you were connected to a fully charged battery but the motor won't run, then it's time to check to see if the pressure switch is bad.

- Remove the cover off the 1" square box (pressure switch) on the head of the pump, the cover is held on by one phillips-head screw. This will expose the two red wires.
- With the pump connected to a good 12 volt power source and everything on.
- Slip the two red wires off the terminals and touch them together.

♦ If motor runs, it means the pressure switch is bad and needs to be replaced.

♦ If motor still doesn't run, try bypassing the switch in the lead wire or using another lead wire. Even if a tester shows power to the pressure switch, still try this test.



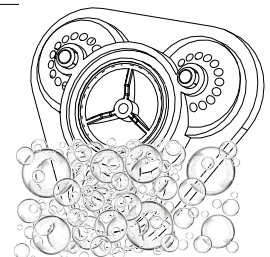
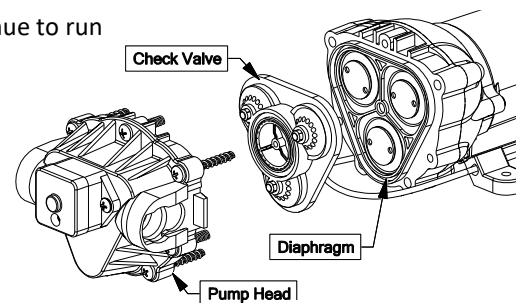
Warning: It is NOT recommended to run the pump this way, as the pump will continue to run and not shut off.

This could result in blown hoses when all discharges are closed or premature failure of the pump completely.

Motor Running-BUT No Pressure - - Cleaning the Check Valve:

Experiencing little to no pressure or pump is not priming and filter screen is clean and plumbing is good with no leaks, you may need to clean the check valve.

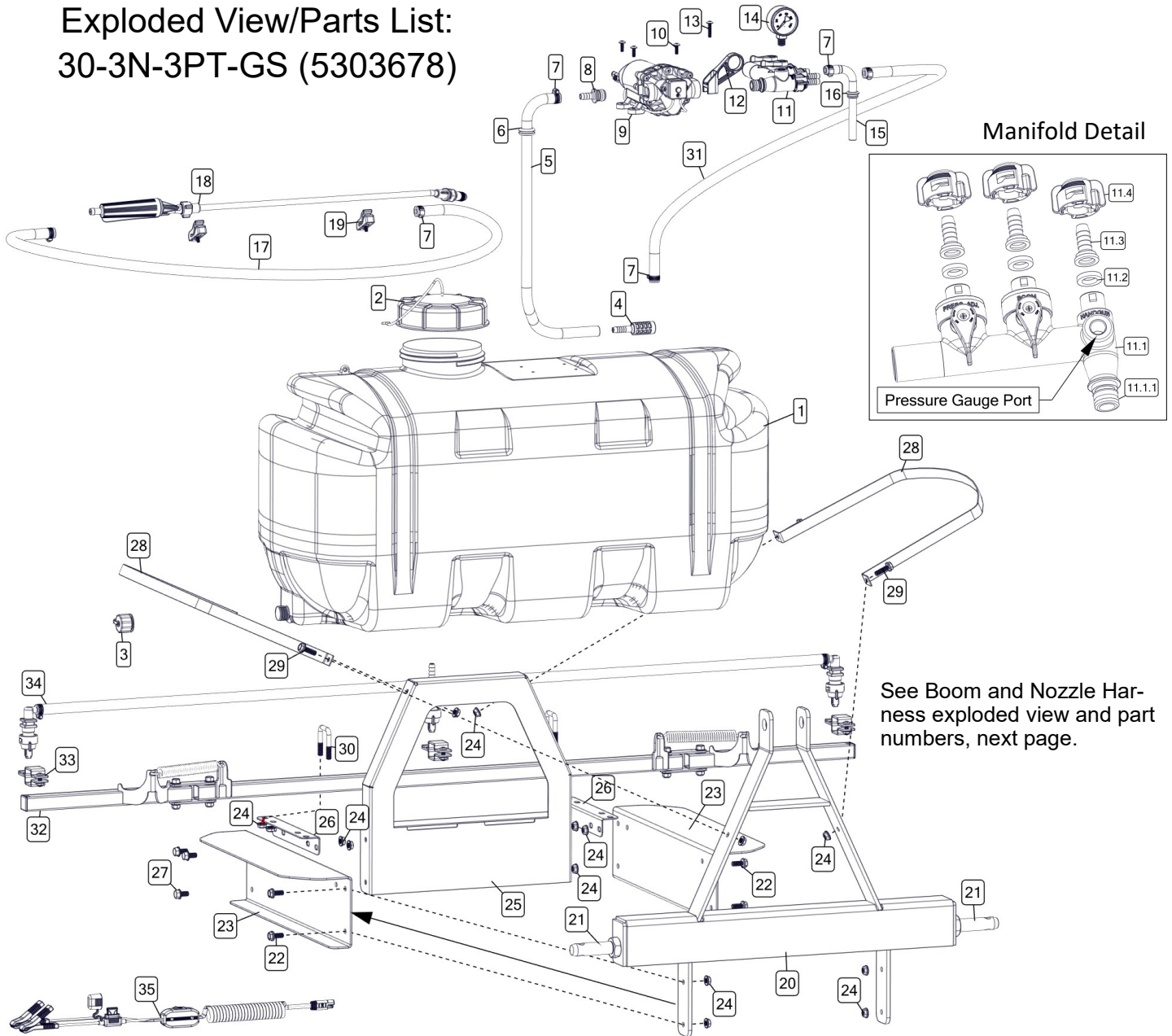
- Remove the head of the pump, which is held on by 7 screws.
- First part inside the head of the pump is the check valve, this part responsible for building up pressure and pumping water/solution through the lines.
- Clean the check valve under hot, soapy water (such as a good grade dish soap).
- Lightly scrub, if needed, with something like an old toothbrush, something with soft bristles.
- Let soak for about an hour or so in the hot soapy solution, replace in the pump and reassemble.



Most times this will restore most, if not all of the prime of a pump.

If still having issues with pressure after this step, it would be recommended to replace this part.

Exploded View/Parts List: 30-3N-3PT-GS (5303678)

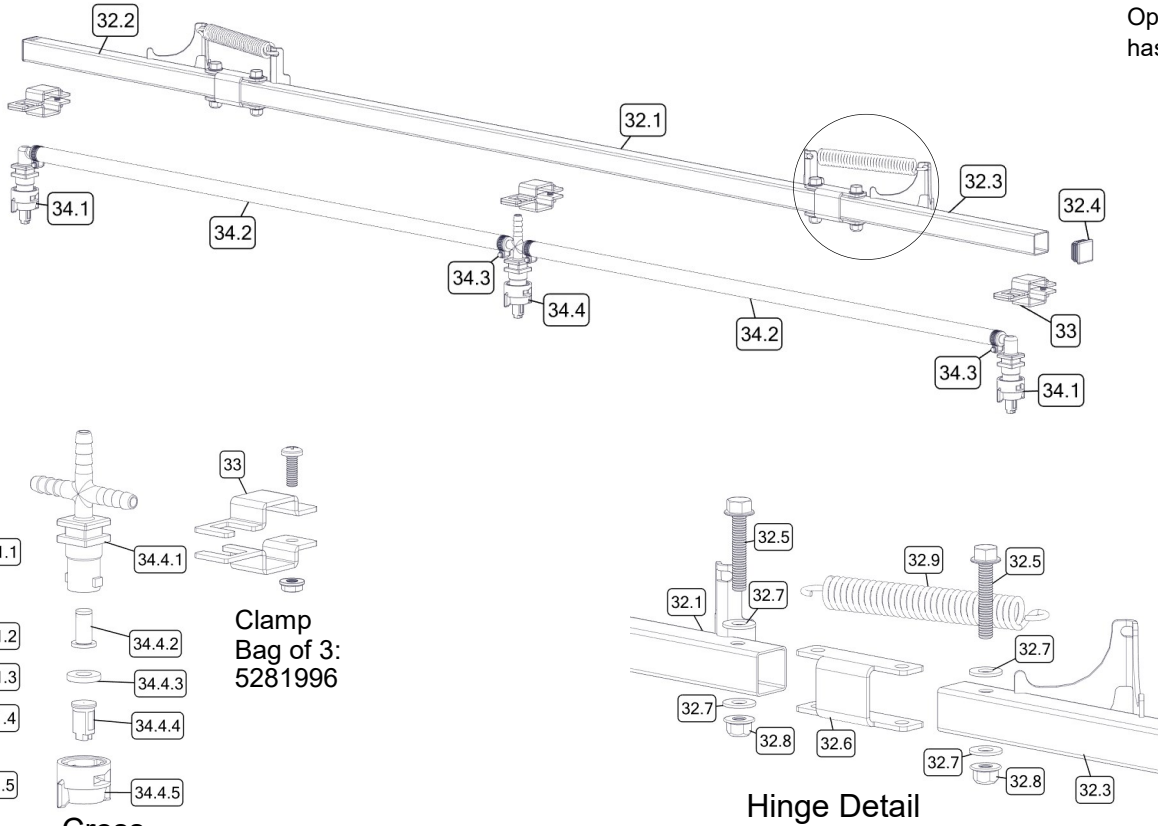


Ref. #	Part #	Description	Qty
1	5169371	30 Gallon Tank (TA30W-0)	1
2	5058188	Tank Lid w/Lanyard	1
3	5274373	Drain Plug Assembly	1
4	5116454	3/8" Hose Barb Suction Strainer	1
5	5020251	Hose, 3/8"-1 Brd. x 24"	1
6	5075022	Grommet (5/8" I.D.)	1
7	5051144	Hose Clamp (3/8")	6
8	5168836	3/8" Hose Barb Port Fitting	1
9	5281371	2.4 GPM, 60 PSI Pump	1
10	5117167	#10-24 x 0.625 PH Truss Head Screw	3
11	5281538	Quick Connect Manifold Assembly	1
11.1	5302347	Quick Connect Manifold (Main Body Only)	1
11.1.1	5072514	O-Ring - Pump Port Connection	1
11.1.2	5143421	Quick Connect Manifold - Handle	2
11.2	5143430	Flat Washer - Hose Barb Seal	3
11.3	5143431	QC Manifold - 3/8" Hose Straight Barb	3
11.4	5143429	Quick Connect Quarter Turn Cap	3
12	5143422	QC Manifold - Support Bracket	1
13	5117168	#10-24 x 1.00 PH Truss Head Screw	1
14	5167007	Pressure Gauge, 0-100 PSI	1
15	5100961	Formed Bypass Tube	1
16	5075018	Grommet	1

Ref. #	Part #	Description	Qty
17	5020524	Hose, 3/8"-1 Brd. x 15 Ft.	1
18	5163100	Low-Flow Spray Wand w/X-26 Tip	1
18.1	5018330	Handgun Tip (X-26)	1
19	5274880	Wand Clips & Screws (Pkg/2)	1
20	5282584-BLK	3PT Front Frame	1
21	5101294	Lift Arm Pin - Cat 1	2
22	5117323	5/16-18 x 0.75 Flng Hex Bolt	4
23	5070272-BLK	3PT GS Side	2
24	5006307	5/16-18 Serrated Flng Hex Nut	18
25	5282585-BLK	3PT Back Frame	1
26	5095993-BLK	Boom Mount	2
27	5034634	5/16-18 x 0.625 Flng Hex Bolt	6
28	5144182	Tank Side Strap	2
29	5117300	5/16-18 x 1.00 Flng Hex Bolt	4
30	5034159	5/16-18 x 1.3125 x 1.875 Square U-Bolt	2
31	5020424	Hose, 3/8"-1 Brd. x 36"	1
32	5281989	3-Nozzle Bolted Boom	1
33	5277923	Nozzle Clamp (for 1" Square Boom Tube)	3
34	5281994	3-Nozzle Harness (30" Spacing)	1
35	5278114	Lead Wire Assembly w/15A Fuse (96" Long)	1
35.1	5157238	15 Amp Regular Blade Fuse	1

3-Nozzle Boom Assembly (with 3/8" Hose, 1" Sq. Tubing & AIXR11002VP Tips)

Opposite Side
has Typical



Elbow

Cross

Hinge Detail

Ref. #	Part #	Description	Qty
32	5281989	3-Nozzle Bolted Boom	1
32.1	5281977-BLK	3-Nozzle Boom Center	1
32.2	5281987-BLK	Left 3-Nozzle Boom Wing	1
32.3	5281988-BLK	Right 3-Nozzle Boom Wing	1
32.4	7V70054	1" Square Tube Plug	2
32.5	5034639	5/16-18 x 1.75 Flanged Hex Bolt (Full Thread)	4
32.6	5080052-BLK	Boom Double Hinge	2
32.7	5016322	5/16" Nylon Washer	8
32.8	5006389	5/16-18 Flanged Top-Lock Hex Nut	4
32.9	5019760	Extension Spring 5" x .75" x .115"	2
33	5277923	Nozzle Clamp (1" Square Tube)	3
34	5281994	3-Nozzle Harness (30" Spacing)	1
34.1	5281304	Nozzle Assembly - Elbow - 3/8"	2
34.1.1	5056113	Nozzle Body - QJ - Elbow - 3/8"	1

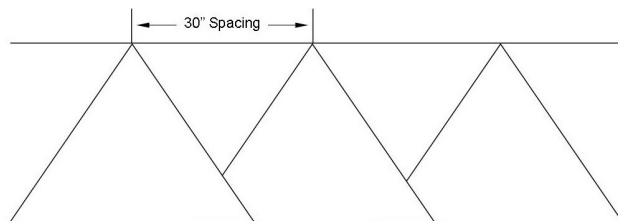
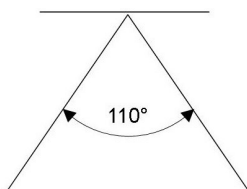
Ref. #	Part #	Description	Qty
34.1.2	5143543	Nozzle Check Strainer, Blue (50 Mesh)	1
34.1.3	5016157	Seat Washer - EPDM - QJ Caps	1
34.1.4	5018371	Air-Induction XR Flat Spray Tip - AIXR11002VP	1
34.1.5	5046219	Quick Cap - Yellow	1
34.2	5020533	Hose, 3/8"-1 Brd. x 29-3/4"	2
34.3	5051144	Hose Clamp (3/8")	4
34.4	5281308	Nozzle Assembly - Cross - 3/8"	1
34.4.1	5056115	Nozzle Body - QJ - Cross - 3/8"	1
34.4.2	5143543	Nozzle Check Strainer, Blue (50 Mesh)	1
34.4.3	5016157	Seat Washer - EPDM - QJ Caps	1
34.4.4	5018371	Air-Induction XR Flat Spray Tip - AIXR11002VP	1
34.4.5	5046219	Quick Cap - Yellow	1

Based on the minimum overlap required to obtain uniform distribution with 110° tips and 30" spacing.

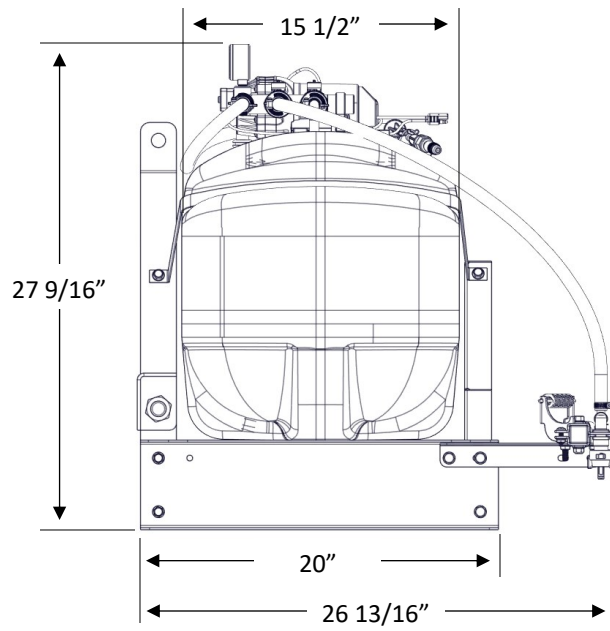
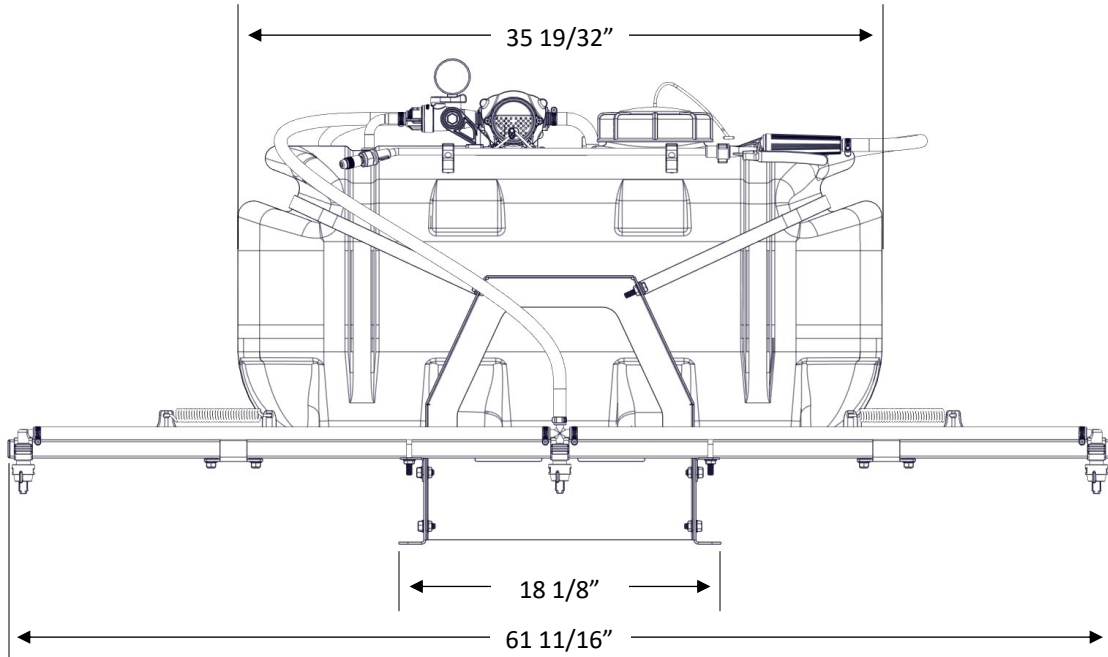
Suggested Minimum Spray Height: 20"-22" above what is being sprayed (to plant, not ground).

Optimum Spray Height: 20"

- 110° wide, tapered flat spray angle with air induction technology for better drift management
- Made of 2-piece UHMWPE polymer construction which provides excellent chemical resistance, including acids, as well as exceptional wear life
- Compact size to prevent tip damage
- Excellent for systemic products and drift management



Approx. Dimensions:



Warranty

LIMITED WARRANTY FOR NEW FIMCO, IND. EQUIPMENT

WHO MAY USE THIS LIMITED WARRANTY. This limited warranty (the "Limited Warranty") is provided by Fimco, Ind. to the original purchaser ("you") of the Equipment (as defined below) from Fimco, Ind. or one of Fimco, Ind.'s authorized dealers. This Limited Warranty does not apply to any subsequent owner or other transferee of the Equipment. THIS LIMITED WARRANTY GIVES YOU SPECIFIC LEGAL RIGHTS, AND YOU MAY ALSO HAVE OTHER RIGHTS WHICH VARY FROM STATE TO STATE.

WHAT THIS LIMITED WARRANTY COVERS AND FOR HOW LONG. Fimco, Ind. warrants that any new Equipment will be free from defects in material and workmanship for a period of **one (1) year** for sprayer and **two (2) years** for High-Flo High Performance pump (homeowner), **90 days** for sprayer and pump (commercial user), after delivery of the Equipment to you (the "Warranty Period"). The Warranty Period is not extended if Fimco, Ind. repairs or replaces the Equipment.

WHAT IS NOT COVERED BY THIS LIMITED WARRANTY. This Limited Warranty does not apply to: (1) used Equipment; (2) any Equipment that has been altered, changed, repaired or treated since its delivery to you, other than by Fimco, Ind. or its authorized dealers; (3) damage or depreciation due to normal wear and tear; (4) defects or damage due to failure to follow Fimco, Ind.'s operator's manual, specifications or other written instructions, or improper storage, operation, maintenance, application or installation of parts; (5) defects or damage due to misuse, accident or neglect, "acts of God" or other events beyond Fimco, Ind.'s reasonable control; (6) accessories, attachments, tools or parts that were not manufactured by Fimco, Ind., whether or not sold or operated with the Equipment; or (7) rubber parts, such as tires, hoses and grommets.

HOW TO OBTAIN WARRANTY SERVICE. To obtain warranty service under this Limited Warranty, you must (1) provide written notice to Fimco, Ind. of the defect during the Warranty Period and within **thirty (30) days** after the defect becomes apparent or the repair becomes necessary, at the following address: Fimco, Ind., 1000 Fimco Lane, North Sioux City, SD 57049; and (2) make the Equipment available to Fimco, Ind. or an authorized dealer within a reasonable period of time. For more information about this Limited Warranty, please call: **800-831-0027**.

WHAT REMEDIES ARE AVAILABLE UNDER THIS LIMITED WARRANTY. If the conditions set forth above are fulfilled and the Equipment or any part thereof is found to be defective, Fimco, Ind. shall, at its own cost, and at its option, either repair or replace the defective Equipment or part. Fimco, Ind. will pay for shipping and handling fees to return the repaired or replacement Equipment or part to you.

LIMITATION OF IMPLIED WARRANTIES AND OTHER REMEDIES. THE REMEDIES DESCRIBED ABOVE ARE YOUR SOLE AND EXCLUSIVE REMEDIES, AND FIMCO, IND.'S SOLE LIABILITY, FOR ANY BREACH OF THIS LIMITED WARRANTY. TO THE EXTENT APPLICABLE, ANY IMPLIED WARRANTIES, INCLUDING, WITHOUT LIMITATION, THE IMPLIED WARRANTIES OF MERCHANTABILITY AND FITNESS FOR A PARTICULAR PURPOSE, SHALL BE LIMITED IN DURATION TO THE WARRANTY PERIOD, AND THE REMEDIES AVAILABLE FOR BREACH THEREOF SHALL BE LIMITED TO THE REMEDIES AVAILABLE UNDER THIS EXPRESS LIMITED WARRANTY. SOME STATES DO NOT ALLOW LIMITATIONS ON HOW LONG AN IMPLIED WARRANTY LASTS, SO THE ABOVE LIMITATION MAY NOT APPLY TO YOU. IN NO EVENT SHALL FIMCO, IND.'S LIABILITY UNDER THIS LIMITED WARRANTY EXCEED THE ACTUAL AMOUNT PAID BY YOU FOR THE DEFECTIVE EQUIPMENT, NOR SHALL FIMCO, IND. BE LIABLE, UNDER ANY CIRCUMSTANCES, FOR ANY CONSEQUENTIAL, INCIDENTAL, SPECIAL OR PUNITIVE DAMAGES OR LOSSES, WHETHER DIRECT OR INDIRECT. SOME STATES DO NOT ALLOW THE EXCLUSION OR LIMITATION OF INCIDENTAL OR CONSEQUENTIAL DAMAGES, SO THE ABOVE LIMITATION OR EXCLUSION MAY NOT APPLY TO YOU.