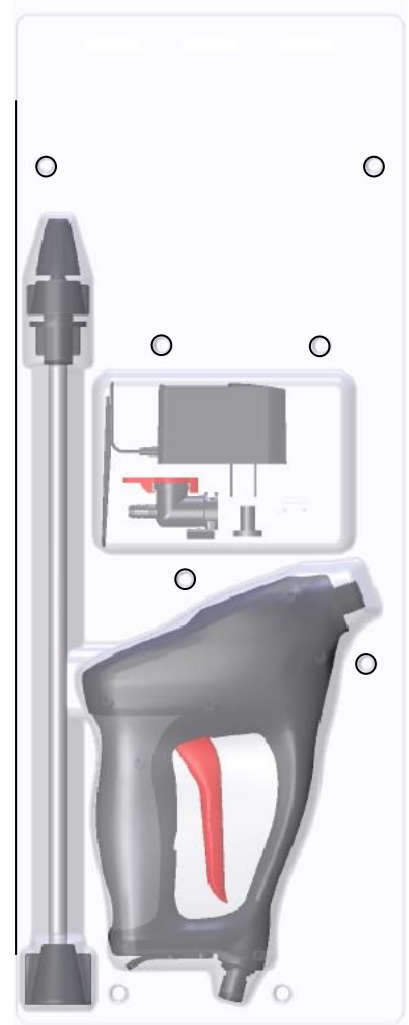


OWNER'S MANUAL

Model: 7772105
(LI Diaphragm Handgun/Pump)



**Easily Convert
Your Pump Up Style
Sprayer for Effortless Spraying**



General Information

Thank you for purchasing this product. The purpose of this manual is to assist you in operating and maintaining your rechargeable spray gun.

**BEFORE RETURNING THIS PRODUCT
FOR ANY REASON, PLEASE CALL**

1-800-831-0027

MONDAY-FRIDAY, 8:00 AM TO 5:00 PM CST

If you should have a question or experience a problem with your Fimco Industries Product: Visit our website @ www.fimcoindustries.com or call the Toll free number above. Our technical support representatives will be happy to help you.

In most cases a customer service rep. can resolve the problem over the phone.

To obtain prompt, efficient service, always remember to give the following information....

- Correct Part Description and/or part number
- Model number and Serial Number

Part descriptions and numbers can be obtained from the illustrated parts list section(s) of this manual.

**Retain a copy of your receipt for your unit,
as it will be required to validate any warranty service.**

**Warranted against manufacturer or workmanship defects from
date of purchase with copy of receipt:**

Homeowner Usage: One Year.

Commercial Usage: 90 Days.



WARNING: To reduce the risk of injury, the user must read and understand the operator's manual before using this product.



WARNING: Cancer and Reproductive Harm.
www.P65Warnings.ca.gov



www.fimcoindustries.com

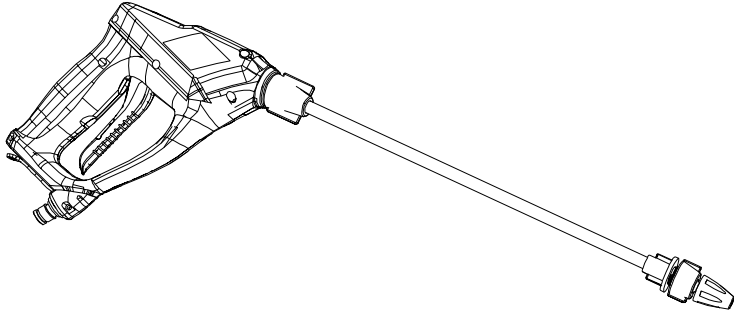
1000 FIMCO Lane, P.O. Box 1700, North Sioux City, SD 57049
Toll Free Phone: 800-831-0027 : Toll Free Fax: 800-494-0440

[5195290

(11/22)]

Contents

Technical Specs and Assembly	2	Handgun Charging.....	4
Operation Instructions	3	Nozzle Options	5
Maintenance	4	Exploded Parts View and Parts List.....	5
Winter Storage	4	Warranty	6



Model: 7772105
(LI Diaphragm Handgun/Pump)

Technical Specifications

- 3.6V Rechargeable Handgun
- 65 Minute Run Time
- 2.5 Hour Recharge Time
- Capacity: 13 Gallons Per Charge
- Approx. Spray Distance: 10' Vertical/20' Horizontal
- Roundup® Ready

~~~~~IMPORTANT~~~~~

It is VERY important for you to test your sprayer, after attaching a hand sprayer, with plain water before actual spraying is attempted. This will enable you to check the sprayer for leaks without possibility of losing any expensive chemicals.

~~~~~WARNING~~~~~



Read and Understand the Owner's Manual completely before using. Assemble, test and use in accordance to manual instructions.

Read and Follow chemical label instructions and wear protective gear when filling, using, cleaning and servicing the sprayer.

Never Point Spray Gun at people or animals.

Relieve System Pressure before leaving sprayer unattended.

Exercise Caution in vehicle handling when towing/hauling a filled sprayer to avoid loss of control or overturning.

Keep Sprayer and Spray materials away from other people, children and pets.

Do Not Turn on Power to the sprayer, until ready to spray in order to avoid unintentional spray release.

Keep all parts in good condition and properly installed. Fix damaged or worn parts immediately.

Improper use of this sprayer or handling of chemicals could result in serious injury or illness, or could cause damage to the environment.

Assembly Instructions

Make sure the hose to the handgun is unrestricted and is filtered.

Do not run through another pump or unnecessary fittings, other than your filtering system.

Most pump up style sprayers pressurize the tank in order to spray, you may have to loosen the lid occasionally to release the vacuum created by removing water and not letting air in.

Operation Instructions

IMPORTANT: Remove tank lid and be sure the tank is clean and free of any foreign material. Rinse tank out of any tank residue before filling with water to test.

NOTE:

It is VERY important for you to test your sprayer with plain water before actual spraying is attempted.

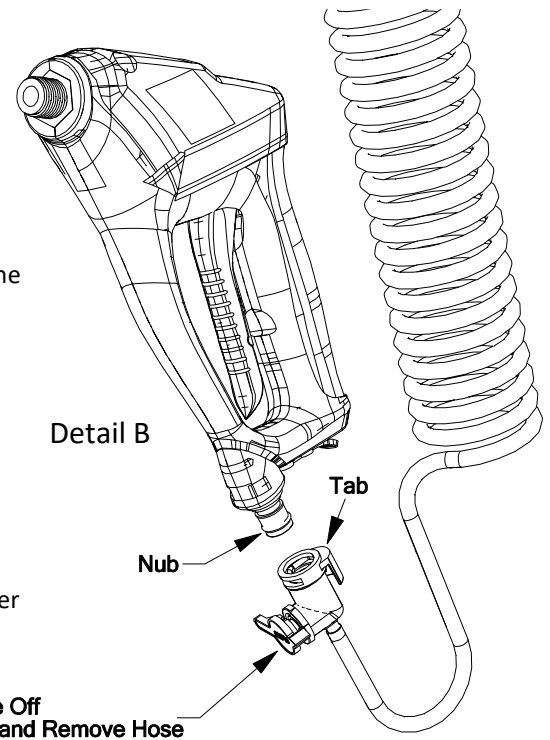
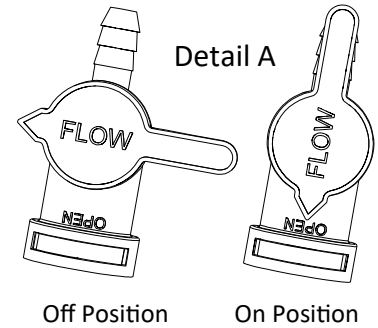
Fill the tank about 1/2 full with plain water.

Be sure gun is fully charged (see handgun charging) and the shutoff is open (Detail A). Squeeze trigger and allow 20 seconds for the fluid to reach the handgun and begin spraying.

If fluid doesn't reach the handgun and drains out of the hose when trigger is released, the hose is not connected to the handgun correctly. Disconnect and reconnect the quick connect shut off and begin priming again. If it still doesn't pull liquid, it could be pulling in air (check all fittings) or the shutoff is bad and needs to be replaced.

If the fluid does not reach the handgun and stays in the coiled hose, try priming the gun, this can be done one of three ways:

- 1) Disconnect the hose and shutoff from the bottom of the gun (See Detail B) and submerge the nub on the bottom of the gun into a bucket of water, pull the trigger and let it spray for approx. 1-2 minutes. Reconnect hose and shutoff to the gun.
- 2) Lower the handgun below water level, and pull the trigger this will allow the pump to prime.
- 3) Disconnect the hose and shutoff from the bottom of the gun (See Detail B) and put a garden hose up to the nub, basically feeding the gun, pull the trigger and let it spray for approx. 1-2 minutes. Reconnect hose and shutoff to the gun.



Operation

Fill the tank 1/2 full with water first and then add the chemical slowly, mixing as you pour the chemical into the tank and then fill the rest of the way. Handgun may be used to spray into the solution in order to mix the chemical and water.

After spraying, rinse and clean the equipment both inside and out. Follow after spraying instructions below.

Be sure to read the chemical label(s) before application!

Maintenance & Winter Storage

Proper care and maintenance will prolong the life of your sprayer.

After use, drain the tank and store or dispose of chemical properly.

Fill the sprayer tank part way with clean water. Start the sprayer and allow the clear water to be pumped through the plumbing system and out through the spray nozzle. Refill about half full with plain water and use FIMCO Tank Neutralizer and Cleaner and repeat cleaning instructions above. Flush the entire sprayer with the neutralizing/cleaning agent (if no tank cleaner is available, you may substitute dish soap for this step, about 1-2 oz. per gallon). Start the sprayer and spray through the system for approx. 15 minutes. Refill part way with clean water and flush out one more time. Remove handgun from hose, pull trigger for 20 seconds to push remaining fluid out of handgun. Follow the chemical manufacturer's disposal instructions of all wash or rinsing water. If nozzle needs cleaning, remove from wand and soak in warm, soapy water. Clean with a soft bristled brush if necessary. Never use a metal object. Water rinse and dry the tip before storing.

WARNING: Some chemicals will damage the plumbing components if allowed to soak untreated for a length of time! ALWAYS flush the system as instructed after each use. DO NOT allow chemicals to sit in the pump for extended times of idleness. Follow the chemical manufacturer's instructions on disposal of all waste water from the sprayer.

Winter Storage

Before storing your sprayer for winter or long term storage, thoroughly clean and drain it as much as possible.

Store in a place where temperatures will not be in the freezing range.

Proper care and maintenance will prolong the life of your sprayer.



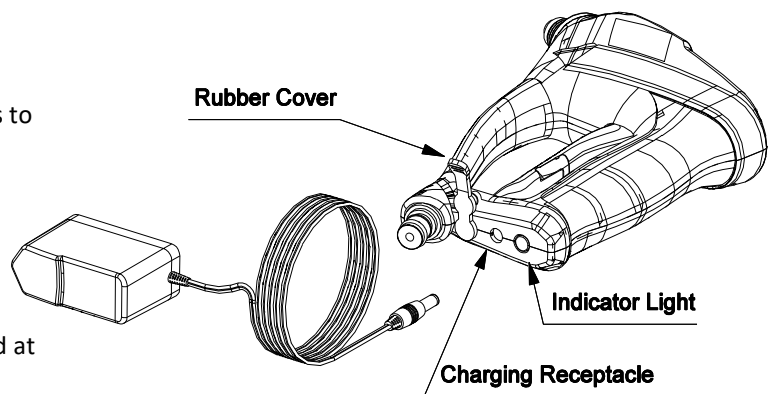
- Clean and rinse your pump after each use (See Maintenance)
- Store in a place where temperatures will not be in the freezing range.
- Use clean water for your spray mixture
- Store inside a building when not in use.



- Use to pump bleach.
- Use to pump petroleum products such as diesel fuel, gasoline or kerosene
- Use to pump chemicals w/petroleum distillates or surfactants.
- Leave pump sit with spray mixture in it for extended periods
- Use dirty or unfiltered water for spraying

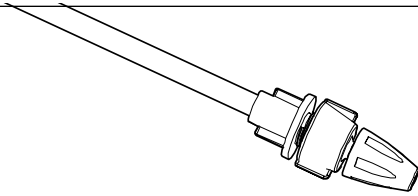
Handgun Charging

1. Follow the 'After Spraying & Winter Storage' instructions to clean the tank and handgun plumbing.
2. Turn Shut Off Valve to the Off position.
3. Disconnect hose from handgun by pressing the release button.
4. Pump remaining clean water out of handgun.
5. Lightly pull and rotate the rubber cover, revealing the charging jack and charging indicator light. This is located at the base of the handgun.
6. Plug the charger into a 110 Volt AC electrical receptacle.
7. Insert the male charging plug into the female jack at the base of the spray wand. The light will turn solid red, indicating charging has begun. If the red light blinks, verify the output voltage of the charger is 4.8V @ 1.3A by reading the charger decal. If the charger is the correct voltage, continue charging and it will become solid red within 10 minutes. If the light continues to blink, the charger is the incorrect voltage and should be disconnected.
8. The light will turn green when charging is complete. Then disconnect the plug from the handgun and the charger from the electrical receptacle when the charging operation is complete.
9. Rotate and re-plug in the rubber cover over the charging jack. This will prevent dirt and dust from getting inside the receptacle.



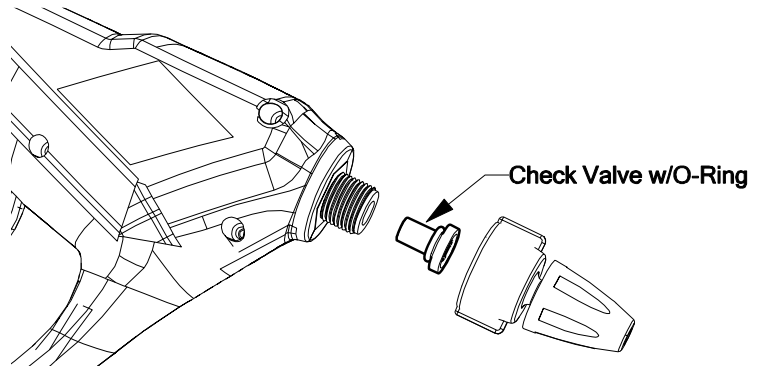
NOTE: Handgun will not run when still plugged in.

Nozzle Options

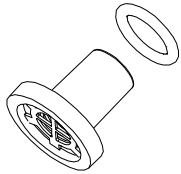
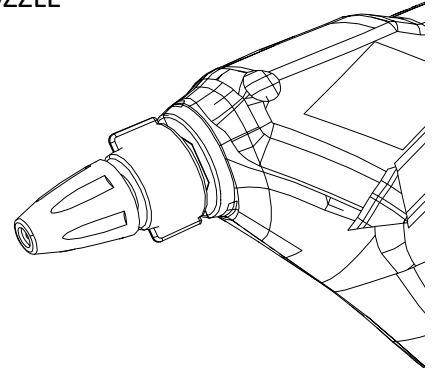


The Removable Nozzle Assembly can be installed on the Removable Wand to spray closer to the desired location.

The Removable Nozzle Assembly can be installed directly on the handgun for more compact spraying (See Detail NOZZLE).



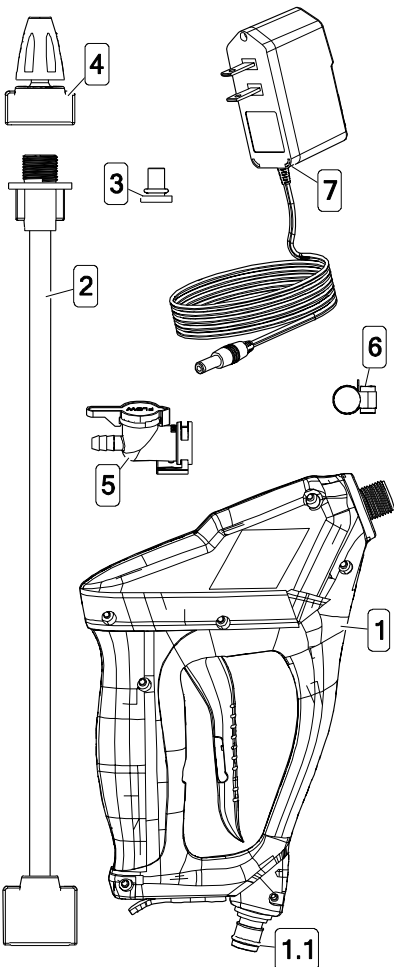
Detail NOZZLE



Slide O-Ring on to the Check Valve. Check valve can now be installed.

Slide O-Ring on to the Check Valve. Check valve can now be installed at gun outlet or lance outlet - fits just before the nozzle in either configuration (with or without lance installed).

Wand Replacement Parts



Exploded View/Parts List: 7772105

Ref. #	Part #	Description	Qty
1	5163153	Lawn Guard 3.6V LI Diaphragm Pump Handgun	1
1.1	5072532	O-Ring (9.8mm Dia. x 2.0mm)	1
2	5100965	Lawn Guard Removable Handgun Lance	1
3	5143546	Lawn Guard Check Valve w/O-Ring	1
4	5278244	Removable Nozzle Assembly	1
5	5143545	Quick Connect Shut-Off Valve	1
6	5051144	Hose Clamp (3/8")	1
7	5157239	3.6V Charger	1

Warranty Info

LIMITED WARRANTY FOR NEW FIMCO, IND. EQUIPMENT

WHO MAY USE THIS LIMITED WARRANTY. This limited warranty (the "Limited Warranty") is provided by Fimco, Ind. to the original purchaser ("you") of the Equipment (as defined below) from Fimco, Ind. or one of Fimco, Ind.'s authorized dealers. This Limited Warranty does not apply to any subsequent owner or other transferee of the Equipment. THIS LIMITED WARRANTY GIVES YOU SPECIFIC LEGAL RIGHTS, AND YOU MAY ALSO HAVE OTHER RIGHTS WHICH VARY FROM STATE TO STATE.

WHAT THIS LIMITED WARRANTY COVERS AND FOR HOW LONG. Fimco, Ind. warrants that any new Equipment will be free from defects in material and workmanship for a period of **one (1) year** (homeowner), **90 days** (commercial user), after delivery of the Equipment to you (the "Warranty Period"). The Warranty Period is not extended if Fimco, Ind. repairs or replaces the Equipment.

WHAT IS NOT COVERED BY THIS LIMITED WARRANTY. This Limited Warranty does not apply to: (1) used Equipment; (2) any Equipment that has been altered, changed, repaired or treated since its delivery to you, other than by Fimco, Ind. or its authorized dealers; (3) damage or depreciation due to normal wear and tear; (4) defects or damage due to failure to follow Fimco, Ind.'s operator's manual, specifications or other written instructions, or improper storage, operation, maintenance, application or installation of parts; (5) defects or damage due to misuse, accident or neglect, "acts of God" or other events beyond Fimco, Ind.'s reasonable control; (6) accessories, attachments, tools or parts that were not manufactured by Fimco, Ind., whether or not sold or operated with the Equipment; or (7) rubber parts, such as tires, hoses and grommets.

HOW TO OBTAIN WARRANTY SERVICE. To obtain warranty service under this Limited Warranty, you must (1) provide written notice to Fimco, Ind. of the defect during the Warranty Period and within **thirty (30) days** after the defect becomes apparent or the repair becomes necessary, at the following address: Fimco, Ind., 1000 Fimco Lane, North Sioux City, SD 57049; and (2) make the Equipment available to Fimco, Ind. or an authorized dealer within a reasonable period of time. For more information about this Limited Warranty, please call: **800-831-0027**.

WHAT REMEDIES ARE AVAILABLE UNDER THIS LIMITED WARRANTY. If the conditions set forth above are fulfilled and the Equipment or any part thereof is found to be defective, Fimco, Ind. shall, at its own cost, and at its option, either repair or replace the defective Equipment or part. Fimco, Ind. will pay for shipping and handling fees to return the repaired or replacement Equipment or part to you.

LIMITATION OF IMPLIED WARRANTIES AND OTHER REMEDIES. THE REMEDIES DESCRIBED ABOVE ARE YOUR SOLE AND EXCLUSIVE REMEDIES, AND FIMCO, IND.'S SOLE LIABILITY, FOR ANY BREACH OF THIS LIMITED WARRANTY. TO THE EXTENT APPLICABLE, ANY IMPLIED WARRANTIES, INCLUDING, WITHOUT LIMITATION, THE IMPLIED WARRANTIES OF MERCHANTABILITY AND FITNESS FOR A PARTICULAR PURPOSE, SHALL BE LIMITED IN DURATION TO THE WARRANTY PERIOD, AND THE REMEDIES AVAILABLE FOR BREACH THEREOF SHALL BE LIMITED TO THE REMEDIES AVAILABLE UNDER THIS EXPRESS LIMITED WARRANTY. SOME STATES DO NOT ALLOW LIMITATIONS ON HOW LONG AN IMPLIED WARRANTY LASTS, SO THE ABOVE LIMITATION MAY NOT APPLY TO YOU. IN NO EVENT SHALL FIMCO, IND.'S LIABILITY UNDER THIS LIMITED WARRANTY EXCEED THE ACTUAL AMOUNT PAID BY YOU FOR THE DEFECTIVE EQUIPMENT, NOR SHALL FIMCO, IND. BE LIABLE, UNDER ANY CIRCUMSTANCES, FOR ANY CONSEQUENTIAL, INCIDENTAL, SPECIAL OR PUNITIVE DAMAGES OR LOSSES, WHETHER DIRECT OR INDIRECT. SOME STATES DO NOT ALLOW THE EXCLUSION OR LIMITATION OF INCIDENTAL OR CONSEQUENTIAL DAMAGES, SO THE ABOVE LIMITATION OR EXCLUSION MAY NOT APPLY TO YOU.