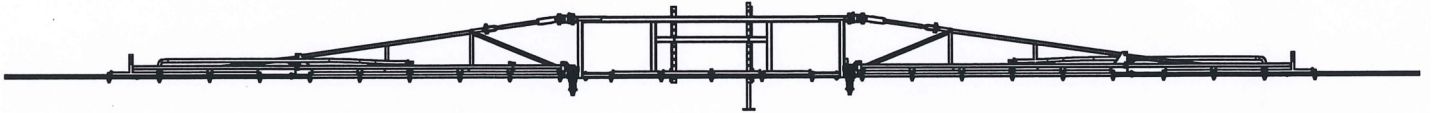


OWNER'S MANUAL

1357 Series Boom Assemblies

Model:
1357-12-QJD (5300699)
12-Row Boom Assembly
w/Quick Jet Nozzles

Model:
1357-14-QJD (5300700)
14-Row Boom Assembly
w/Quick Jet Nozzles



- Model **1357-12-QJD** Boom Assembly
(12-Row—42' Wide)
- Model **1357-14--QJD** Boom Assembly
(14-Row—48' Wide)

General Information

Thank you for purchasing this product. The purpose of this manual is to assist you in operating and maintaining your Boom assembly.

**BEFORE RETURNING THIS PRODUCT
FOR ANY REASON, PLEASE CALL**

1-800-831-0027

MONDAY-FRIDAY, 8:00 AM TO 5:00 PM CST

If you should have a question or experience a problem with your Fimco Industries Product: Visit our website @ www.fimcoindustries.com or call the Toll free number above. Our technical support representatives will be happy to help you.

In most cases a customer service rep. can resolve the problem over the phone.

To obtain prompt, efficient service, always remember to give the following information....

- Correct Part Description and/or part number
- Model number and Serial Number

Part descriptions and numbers can be obtained from the illustrated parts list section(s) of this manual.

Retain a copy of your receipt for your unit, as it will be required to validate any warranty service.

Warranted against manufacturer or workmanship defects from date of purchase with copy of receipt:

Homeowner Usage: One Year.

Commercial Usage: 90 Days.



WARNING: To reduce the risk of injury, the user must read and understand the operator's manual before using this product.



WARNING: Cancer and Reproductive Harm.
www.P65Warnings.ca.gov



www.fimcoindustries.com

1000 FIMCO Lane, P.O. Box 1700, North Sioux City, SD 57049
Toll Free Phone: 800-831-0027 : Toll Free Fax: 800-494-0440

[5004364

(11/22)]

Contents

Technical Specs and Warnings	2	1357 Series Boom Breakdown	7 - 9
Assembly Instructions	3	1357 Series Parts List	7
Fold Up Instructions	3	1357 (QJD) Harness Exploded View/Parts List	10
Calibration	4 - 5	Warranty	12
Maintenance and Winter Storage	6		

1357 Series Booms

Technical Specifications All Models:

- Adjustable Spacing Nozzles
- Height Adjustment
- 4-Way Hinge for Boom Protection
- Cross-Over Folding
- Shock Absorbers for Easy Flotation
- Tips/Caps/Strainers are Standard (Tips: 'AIXR' series) (Air Induction eXtended Range)
- Square Boom Tube Construction
- Fits All Fimco Carriers

(**) These tips provide excellent chemical and acid resistance with an exceptionally long wear life. 110° wide tapered, flat spray angle with air induction technology for better drift management. Compact size prevents tip damage. These TeeJet tips produce large air-filled drops through a venture air aspirator.

Approx. Weights:

Model 1357-12-QJD Boom Assembly - 434 Lbs.

Model 1357-14-QJD Boom Assembly - 444 Lbs.

Always check the vehicle load rating before using a boom with sprayer, ensuring total weight is acceptable. Do not exceed the recommended rating.

~~~~~IMPORTANT~~~~~

It is VERY important to test the sprayer, after attaching any boom with plain water before actual spraying is attempted. This will enable you to familiarize yourself with the sprayer and check for leaks without the possibility of losing any expensive chemicals.

~~~~~WARNING~~~~~



Read and Understand the Owner's Manual before using this boom. Test and use in accordance to instructions. **Read and Follow** chemical label instructions and wear protective gear when filling, using, cleaning and servicing the boom.

Exercise Caution in vehicle handling when towing/hauling a filled sprayer to avoid loss of control or overturning.

Keep Sprayer and Spray materials away from other people, children and pets.

Do Not Turn on Power to the sprayer, until ready to spray in order to avoid unintentional spray release.

Do Not Use on steep slopes. A full sprayer could cause loss of control or overturn sprayer and vehicle.

Always operate up and down a slope, never across the face of a slope.

Keep all movement on slopes slow and gradual. Do not make sudden changes in speed, directions or turning. Do not start or stop suddenly when going uphill or downhill.

Stop on level ground, set the parking brake and shut off engine before leaving the operator's position for any reason.

Keep all parts in good condition and properly installed. Fix damaged or worn parts immediately.

Caution should be taken when towing and/or using any sprayer. The sprayer combined with the weight distribution, turning radius and speed of vehicle can result in damage to vehicle, sprayer and/or boom or severe injury or death, if not used properly.

Improper use or handling of chemicals could result in serious injury or illness, or could cause damage to the environment.

Assembly

Refer to the exploded views and parts list to identify the parts.

1. Mount the center section (back rack) of the boom to the carrier or to the spring suspension boom attachment if one is being used. Use (4) bolts and hex nuts which are attached to the upright angles. It may be necessary to loosen the bolts which hold the upright angles to the frame in order to adjust the upright angles to match attaching members of the carrier.
2. Attach the outer boom sections to the center frame assembly. The lower tube members of the outer booms will be offset to the front to allow room for the hoses and nozzles, in the back. Join the outer boom sections to the center frame using (2) hex bolts and hex flange lock nuts at the bottom and use (2) hex flange bolts and hex flange lock nuts at the top of each outer section.
3. Attach the appropriate hose assemblies onto each of the three boom sections, the center section has (5) nozzles with "ELL" connectors on each end. Starting at the center, the nozzles should be placed about 20" apart. The outer boom harnesses are made up for left and right sides when nozzles are on the back side of the outer boom tubing. Assemble the caps, tips and strainers to each of the nozzle connectors, if not done so already.
4. Connect the feeder hoses (supply lines) from the pumping system and secure in place with hose clamps to each nozzle harness assembly. Use nylon cable ties to secure the feeder hoses to the boom so that the hoses will not snag on any object.
5. Make sure all hose clamps are tight before testing or spraying for the first time.

After assembling, sprayer will be ready to TEST w/plain water before actual use.

Fold Up Instructions

Use caution when folding up the booms. Do not force the pivot action. Remember that the entire sprayer may move unless it is anchored securely during the folding operation.

Always begin with the left side outer boom. Remove the hairpin cotter and the retainer lock pins. Fold the outer section up and over. Use the retainer pin and hairpin cotter to secure the outer section in place.

Remove the retainer lock pins which are located at the top ends of the center section. These pins may be retained in the housing after the boom(s) have been folded back. This procedure will allow the booms to be folded without raising the ends.

Pivot the entire outer boom assembly to the rear of the sprayer and against the center frame. Use care when folding. The left outer section will rest on the boom carrier rack tube located on the right rear side of the center frame.

Use the same procedure to fold up the right outer boom assembly. This outer section will rest on the boom retainer, located on the left wing boom. Use the retainer lock pin to secure the right wing boom in place.

If it is necessary to tighten the spring tension, pivot the outer boom 90° before tightening the tension. Do not tighten the tension any more than can be done in this position, otherwise the boom will not pivot out of the receiver.

Testing the Sprayer

NOTE: It is VERY important to test your sprayer with plain water before actual spraying is attempted. This will enable you to familiarize yourself with the sprayer and boom and to check for leaks, without the possibility of losing any expensive chemicals.

Follow the instructions in your sprayer manual for testing your sprayer.

Always have the pressure line open to the tips so that the air which may be trapped in the line will be forced (or purged) out. Start the tractor PTO. Check the entire system for leaks. Once the pump is primed, the pressure may be increased by turning the handle of the pressure relief valve. Keep the pressure line open to the tips when setting the pressure. Set the pressure and then lock the relief valve handle in place. Pressure will increase when the pressure line valve is closed and then return to the preset pressure when the valve is opened again.

The bypass valve is the "pressure control" for the entire plumbing system. The more the valve is open, the lower your line pressure. Almost fully closed provides maximum pressure to your boom and/or handgun. **NEVER run your system with this valve 100% closed.**

During the testing period, be sure to observe the spray pattern given by the spray nozzles. If there is any pattern distortion, it will be necessary to remove and clean the affected tips.

Caution: Never use a metal object or other sharp item for cleaning a nozzle tip. It is better to use a nozzle brush (NOT wire brush) or compressed air for tip cleaning.

Conditions of weather and terrain must be considered when setting the sprayer. Do not spray on windy days. Protective clothing must be worn in some cases

Be sure to read the chemical label(s) before application!

Calibration

Chemical labels may show application rates in gallons per acre, gallons per 1000 square feet or gallons per 100 square feet. You will note that the tip chart shows 2 of these rating systems.

Once you know how much you are going to spray, then determine (from the tip chart) the spraying pressure (PSI) and the spraying speed (MPH).

Determining the proper speed of the pulling vehicle can be done by marking off 100, 200 and 300 feet. The speed chart indicates the number of seconds it takes to travel the distances. Adjust the throttle until you travel the distances in the number of seconds indicated by the speed chart. Once you have reached the throttle setting needed, mark the throttle location, so you can stop and go again, returning to the same speed.

Add water and proper amount of chemical to the tank and drive to the starting place for spraying.

AIXR11003VP Spray Tip Rate Chart (20" Spacing)									
	Pressure (psi)	Capacity (GPM)	1 MPH	2 MPH	3 MPH	4 MPH	5 MPH	6 MPH	8 MPH
Gallons Per Acre Based on Water	15	.18	53.6	26.8	17.8	13.4	10.7	8.9	6.7
	20	.21	62.4	31.2	20.8	15.6	12.5	10.4	7.8
	30	.26	77.2	38.6	25.8	19.3	15.4	12.9	9.7
	40	.30	88.0	44.0	29.8	22.0	17.8	14.9	11.1
Gallons Per 1000 Sq. Ft. Based on Water	15	.18		.61	.41	.31	.24		
	20	.21		.71	.48	.36	.29		
	30	.26		.88	.59	.44	.35		
	40	.30		1.0	.68	.51	.41		

Speed Chart			
Speed in M.P.H. (Miles Per Hour)	Time Required in seconds to travel a distance of		
	100 Ft.	200 Ft.	300 Ft.
1.0	68 sec.	136	205
2.0	34	68	102
3.0	23	45	68
4.0	17	34	51
5.0	14	27	41
6.0	11	23	34
7.0	9.7	19	29
8.0	8.5	17	26

Tip Selection

Important Note:

The tips supplied as standard with this boom assembly are number AIXR11003VP tips, when you refer to the spray tip rate chart found in this owner's manual, you will note that they have a GPA range of 10.7 to 17.8 GPA (Gallons Per Acre). This is tabulated at 5 MPH and from 15-40 psi and 20" nozzle spacing. These rates are based on water. Please read this tip selection section carefully before attempting to operate your boom assembly.

The selection of proper tips for the boom is determined by the gallon per acre (GPA) requirement, which is specified on the chemical label. The following characteristics also have a determining factor and must be considered:

1. Speed of spraying (MPH)
2. Boom nozzle spacing (specified in inches)
3. Solution weight and conversion factor (CF)
4. Gallons of solution to be sprayed per acre
5. Spraying pressure

Useful Formulas:

GPM—Gallons Per Minute

GPA—Gallons Per Acre

MPH—Miles Per Hour

Nozzle Spacing

If the nozzle spacing on your boom is different from those tabulated, multiply the tabulated GPA coverage by one of the following factors.

Where Tables are Based on 20" Nozzle Spacing									
Other Spacing	8"	10"	12"	14"	16"	18"	22"	24"	30"
Conversion Factor	2.5	2	1.67	1.43	1.25	1.11	.91	.83	.66
Where Tables are Based on 30" Nozzle Spacing									
Other Spacing	26"	28"	32"	34"	36"	38"	40"	42"	44"
Conversion Factor	1.15	1.07	.94	.88	.83	.79	.75	.71	.68
Where Tables are Based on 40" Nozzle Spacing									
Other Spacing	28"	30"	32"	34"	36"	38"	42"	44"	48"
Conversion Factor	1.43	1.33	1.25	1.18	1.11	1.05	.95	.91	.83

Spraying Solutions Other Than Water

Since all the tabulations are based on spraying water, which weights 8.34 lbs. per USA gallon, conversion factors must be used when spraying solutions which are heavier or lighter than water. To determine the proper size nozzle for the solution to be sprayed, first multiply the desired GPM or GPA of solution by the rate conversion factor. Then use the new converted GPM or GPA rate to select the proper size nozzle.

Example: Desired application rate is 20 GPA of 28% Nitrogen. Determine the correct nozzle size as follows:

$$\text{GPA (Solution)} \times \text{Conversion Factor} = \text{GPA}$$

$$20 \text{ GPA (28\%)} \times 1.13 = 22.6 \text{ GPA (Water)}$$

The applicator should choose a nozzle size that will supply 22.6 GPA of water at the desired pressure.

Weight of Solution	Specific Gravity	Conversion Factors
7.0 lbs. per gallon	.84	.92
8.0 lbs. per gallon	.96	.98
8.345 lbs. per gallon (Water)	1.00	1.00
9.0 lbs. per gallon	1.08	1.04
10.0 lbs. per gallon	1.20	1.10
10.66 lbs. per gallon (28% Nitrogen)	1.28	1.13
11.0 lbs. per gallon	1.32	1.15
12.0 lbs. per gallon	1.44	1.20
14.0 lbs. per gallon	1.68	1.30

Miscellaneous Conversion Factors

One Acre = 43,560 square feet = 0.405 Hectare

One Hectare = 2.471 Acres

One Gallon Per Acre = 9.35 Liters Per Hectare

One Mile = 5280 Feet = 1610 Meters = 1.61 Kilometers

One Gallon = 128 Fluid Ounces = 8 Pints = 4 Quarts = 3.79

Liters = 0.83 Imperial Gallons

One Pound Per Square Inch = 0.069 bar. = 6.895 Kilopascals

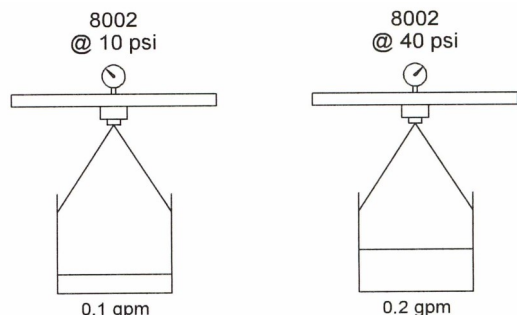
One Mile Per Hour = 1.609 Kilometers Per Hour

Flow Rate

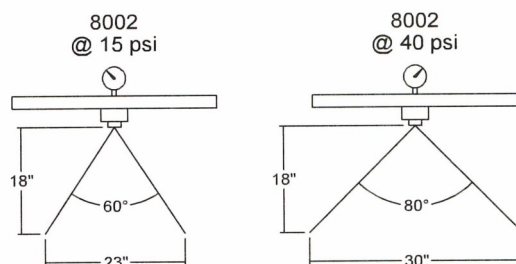
Nozzle flow rate varies with spraying pressure. In general, the relationship between GPM and pressure is as follows:

This equation is explained by the illustration below. Simply stated, to double the flow through a nozzle, the pressure be increased four times

Effect of Pressure on Volume



Effect of Pressure on Spray Angle



Higher pressure not only increases the flow rate of the nozzle, but it also influences the droplet size and the rate of orifice wear. As pressure is increased, the droplet size decreases and the rate of orifice wear is increased.

The values given in the tabulation section of this owner's manual indicate the most commonly used pressure ranges for the associated spray tips.

Spray Angle and Coverage

Depending on the nozzle type and size, the operating pressure can have a significant effect on spray angle and quality of spray distribution. As shown above for an 8002 flat spray tip, as an example, lowering the pressure results in a smaller spray angle and a significant reduction in spray coverage.

Tabulations for spray tips shown in this owner's manual are based on spraying water. Generally, liquids more viscous than water form relatively smaller spray angles. Whereas, liquids with surface tensions lower than water will produce wider spray angles. In situations where the uniformity of spray distribution is important, be careful to operate your spray tips within the proper pressure range.

NOTE: Suggested minimum spray heights for broadcast spraying are based upon nozzles spraying water at the rated spray angle.

Suggested Minimum Spray Heights				
Nozzle Type	Nozzle Height			
	Spray Angle	20" Spacing	30" Spacing	40" Spacing
TeeJet (Flat Spray)	65°	22"-24"	33"-35"	NR*
TeeJet (XR TeeJet)	80°	17"-19"	26"-28"	NR*
TeeJet (XR TeeJet)	110°	12"-14"	16"-18"	NR*
FloodJet	120°	***	***	***

* Not Recommended

*** Wide Angle Spray Tip is influenced by nozzle orientation. The critical factor is to achieve a double spray patten overlap.

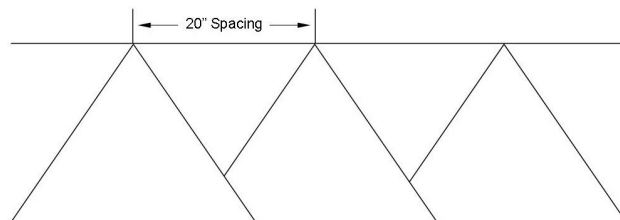
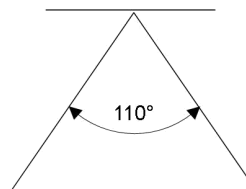
The AIXR TeeJet Flat Spray Tip offers the benefits of obtaining excellent drift resistance without compromising spray coverage. Tips producing very coarse droplets do minimize drift but do not provide the same surface coverage as tips that produce smaller droplets. In some applications, inadequate coverage decreases the effectiveness of the applied chemicals.

Based on the minimum overlap required to obtain uniform distribution with 110° tips and 20" spacing.

Suggested Minimum Spray Height: 16"-18" above what is being sprayed (to plant, not ground).

Optimum Spray Height: 20"

- 110° wide, tapered flat spray angle with air induction technology for better drift management
- Made of 2-piece UHMWPE polymer construction which provides excellent chemical resistance, including acids, as well as exceptional wear life
- Compact size to prevent tip damage
- Excellent for systemic products and drift management



After Spraying

After use, fill your sprayer tank part way with water. Start the sprayer and allow the clear water to be pumped through the plumbing system and out through the spray nozzles.

Refill the tank about half full with plain water and use FIMCO Tank Neutralizer and Cleaner and repeat cleaning instructions above. Flush the entire sprayer with the neutralizing/cleaning agent, then flush out one more time with plain water. Follow the chemical manufacturer's disposal instructions of all wash or rinsing water. For the boom, remove the tips and screens from the nozzle assemblies. Wash these items out thoroughly. Blow the orifice clean and dry. If the orifice remains clogged, clean it with a fine bristle (NOT WIRE) brush or with a toothpick. Do not damage the orifice. Water rinse and dry the tips before storing.

Winterizing your Sprayer

It is essential that you winterize your sprayer to avoid damage and to allow for optimal performance. The winterization process should be undertaken before freezing conditions and/or after each season of use.

Drain all water out of your sprayer, paying special attention to the pump, handgun and valve(s). These items are especially prone to damage from chemicals and freezing weather.

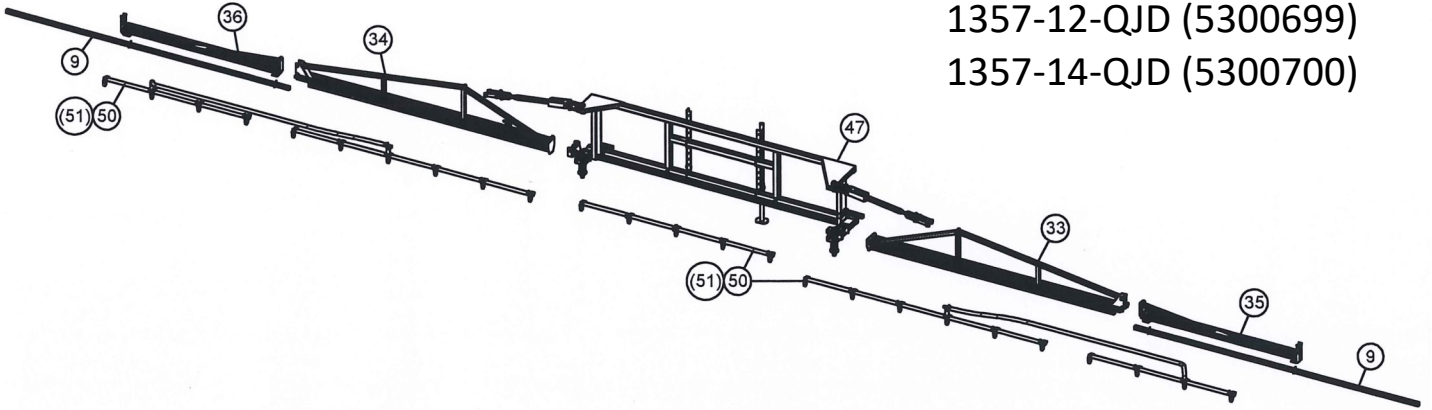
The sprayer should be winterized before storage by pumping a solution of automotive antifreeze (containing a rust inhibitor) through the entire plumbing system. This antifreeze solution should remain in the plumbing system during the winter months.

1. Verify that the tank is empty and rinsed out. Pour 1-2 gallons of antifreeze into the tank. Using a solution of automotive antifreeze (containing a rust inhibitor).
2. Engage the pump and spray with the boom and spray gun (if applicable). Make sure that the antifreeze has been pumped through the entire system, including all spray nozzles.
3. Before spraying in the spring, it is recommended to flush the sprayer with fresh water to cleanse it of the antifreeze and any other buildup. It would also be beneficial to do a thorough inspection of all sprayer components before spraying.

Proper care and maintenance will prolong the life of your sprayer.

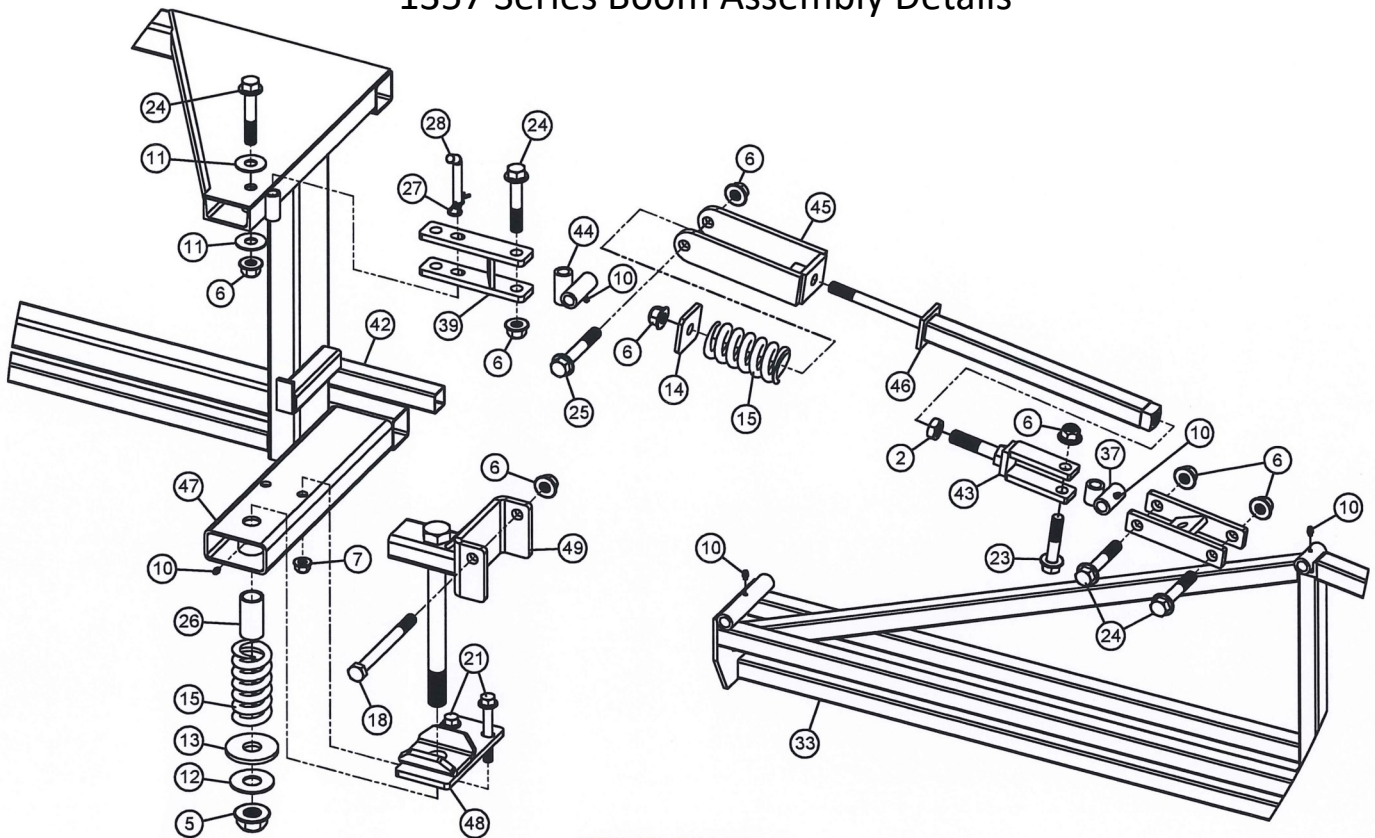
1357-12-QJD (5300699)

1357-14-QJD (5300700)

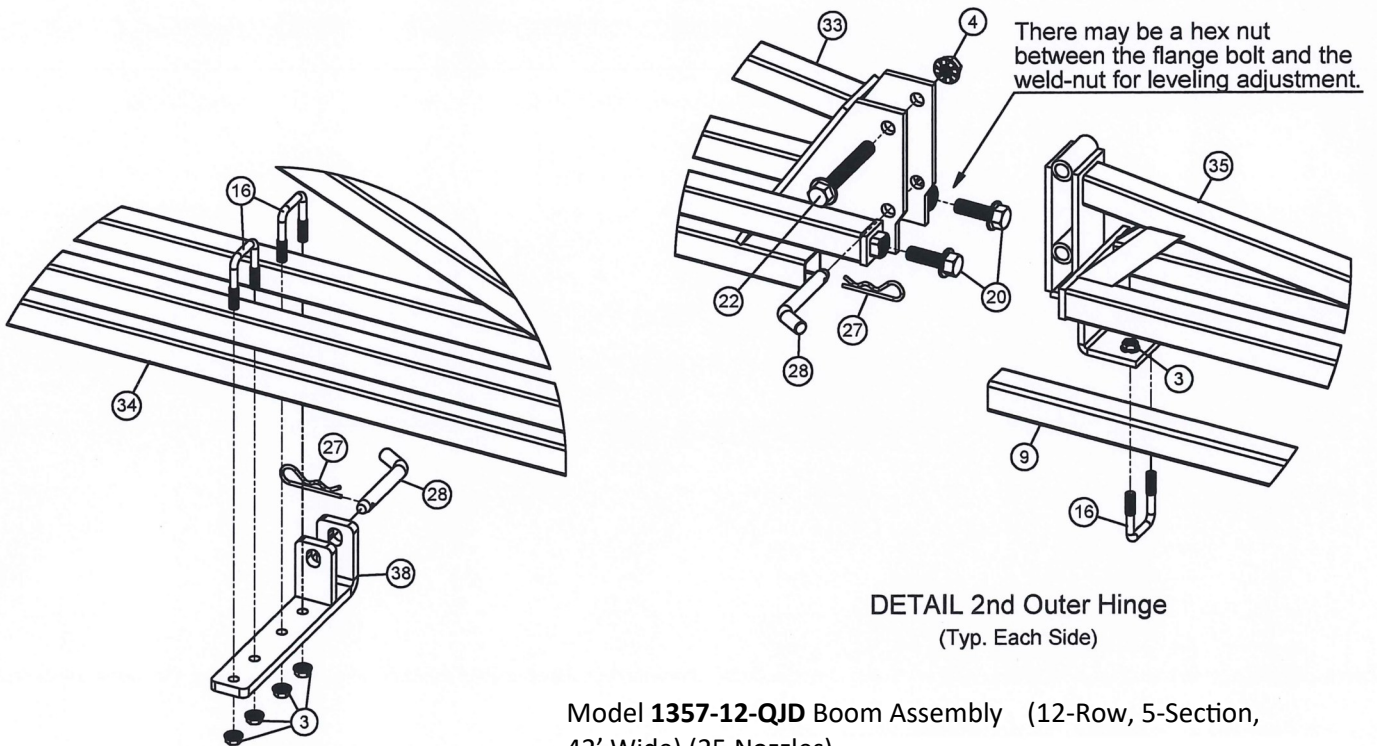


Ref. #	Part #	Description	1357-12 Qty.	1357-14 Qty.
1	5006259	3/8"-16nc Hex Flanged Whiz Nut, Grade 5	12	12
2	5006260	3/4"-10 Hex Jam Nut	2	2
3	5006307	5/16"-18nc Hex Flanged Whiz Nut, Grade 5	12	12
4	5006337	1/2"-13 Hex Whiz (Flange) Locknut	4	4
5	5006363	1"-8nc Hex Flanged Toplock Nut, Grade 8	2	2
6	5006364	5/8"-11nc Hex Flanged Toplock Nut, Grade 8	16	16
7	5006365	1/2"-13nc Hex Flanged Toplock Nut, Grade 8	6	6
8	5006366	3/8"-16nc Hex Flanged Toplock Nut, Grade 8	2	2
9	5009228-BLK	Boom Tube (120")	2	2
10	5012003	Grease Zerk, 3/16" Straight Drive	16	16
11	5016053	Flatwasher, 5/8"	4	4
12	5016198	Thrust Washer (1")	2	2
13	5016200-BLK	Spring Retainer Washer	2	2
14	5016252-BLK	Spring Washer	2	2
15	5019157-BLK	Compression Spring	4	4
16	5034159	Square U-Bolt, 5/16" x 1-5/16" x 1-7/8"	6	6
17	5034188	Square U-Bolt, 3/8" Dia. x 2-1/8" x 2-7/8"	6	6
18	5034222	H.H.C.S. Flanged 5/8"-11 x 6-1/2"	2	2
19	5034666	H.H.C.S. Flanged 3/8"-16nc x 2-1/4"	2	2
20	5034692	H.H.C.S. Flanged 1/2"-13nc x 1-1/2"	8	8
21	5034699	H.H.C.S. Flanged 1/2"-13nc x 3-3/4"	4	4
22	5034700	H.H.C.S. Flanged 1/2"-13nc x 3-1/2"	2	2
23	5034724	H.H.C.S. Flanged 5/8"-11nc x 3"	2	2
24	5034726	H.H.C.S. Flanged 5/8"-11nc x 3-1/2"	8	8
25	5034728	H.H.C.S. Flanged 5/8"-11nc x 4"	2	2
26	5077036-BLK	Spring Guide	2	2
27	5101065	#211 Hitch Pin Clip (Zinc Plated)	5	5
28	5101202	Bent Clevis Pin (1/2" Dia.)	5	5
29	5117104	1/2"-13 x 1-1/2" Square Head Set Screw	1	1
30	5144030-BLK	Upright	2	2
31	5271998-BLK	Stand Sleeve Weldment	1	1
32	5271999-BLK	Stand Weldment	1	1
33	5272624-BLK	Wing Boom Weldment (RH)	1	1
34	5272625-BLK	Wing Boom Weldment (LH)	1	1
35	5272626-BLK	Outer Boom Weldment (RH)	1	1
36	5272627-BLK	Outer Boom Weldment (LH)	1	1
37	5272630-BLK	Trunion Weldment	2	2
38	5272632-BLK	Boom Retainer Weldment	1	1
39	5272633-BLK	Pivot Arm Weldment	2	2
40	5272634-BLK	Attaching Bracket Weldment	2	2
41	5272635-BLK	Hinge Nozzle Tube Weldment (LH)	1	1
42	5272636-BLK	Hinge Nozzle Tube Weldment (RH)	1	1
43	5272637-BLK	Adjustable Clvis Weldment	2	2
44	5273118-BLK	Boom Support Trunion Weldment	2	2
45	5273119-BLK	Spring Bracket Weldment	2	2
46	5273120-BLK	Boom Support Weldment	2	2
47	5273733-BLK	Center Frame Weldment	1	1
48	5273734-BLK	Lower Pivot Clevis Weldment	2	2
49	5273735-BLK	Upper Pivot Clevis Weldment	2	2
50	5300358	Complete 1357-12-QJD Nozzle Harness	1	-
51	5300359	Complete 1357-14-QJD Nozzle Harness	-	1

1357 Series Boom Assembly Details



DETAIL RH Hinge
(Typ. Each Side)



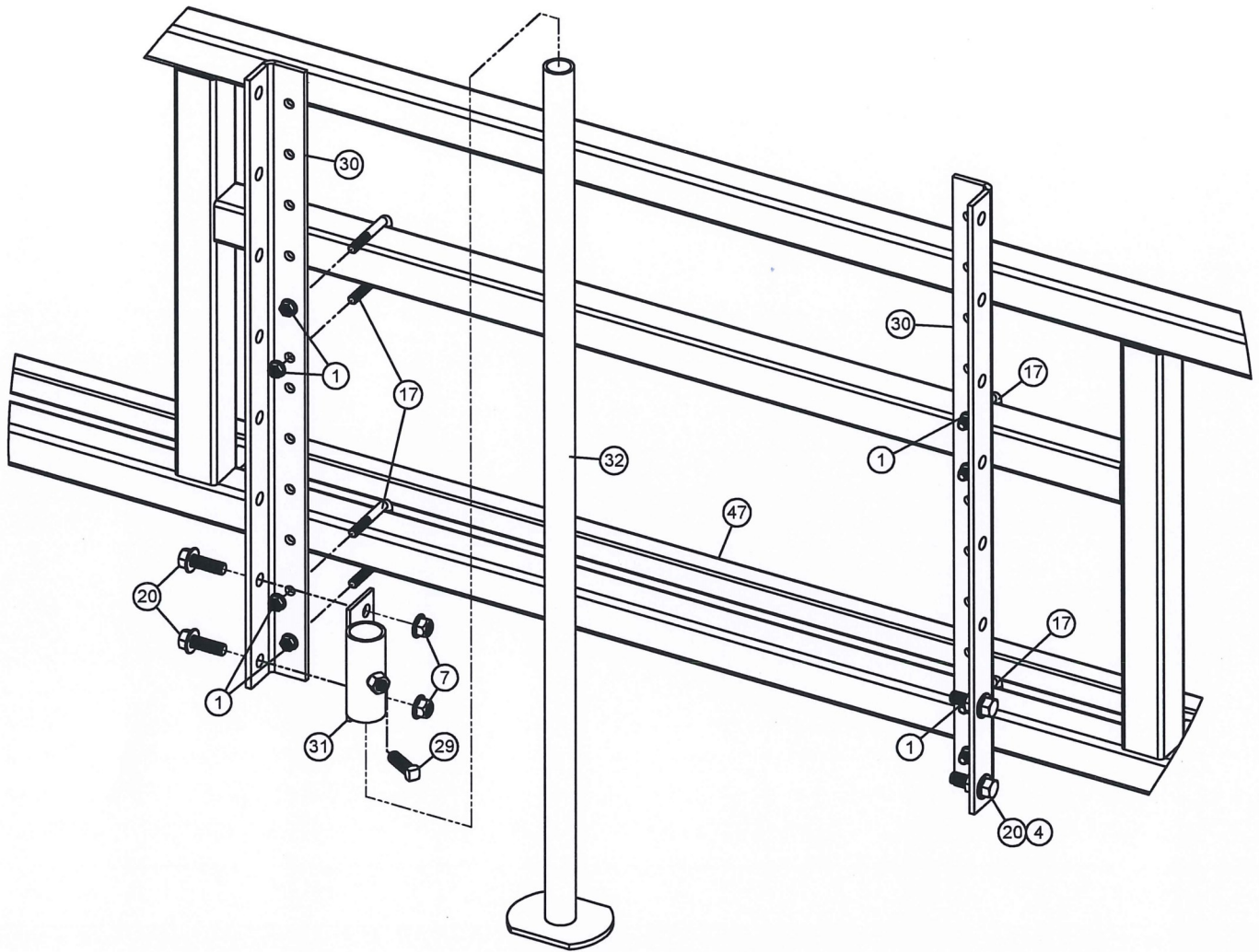
DETAIL 2nd Outer Hinge
(Typ. Each Side)

DETAIL Boom Retainer
(On LH Boom Wing)

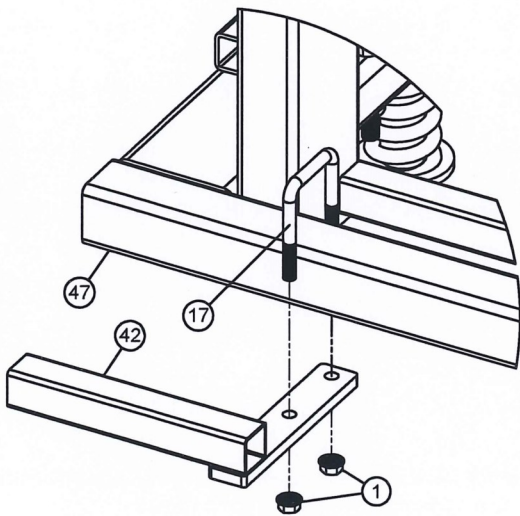
Model **1357-12-QJD** Boom Assembly (12-Row, 5-Section, 42' Wide) (25 Nozzles)

Model **1357-14-QJD** Boom Assembly (14-Row, 5-Section, 48' Wide) (29 Nozzles)

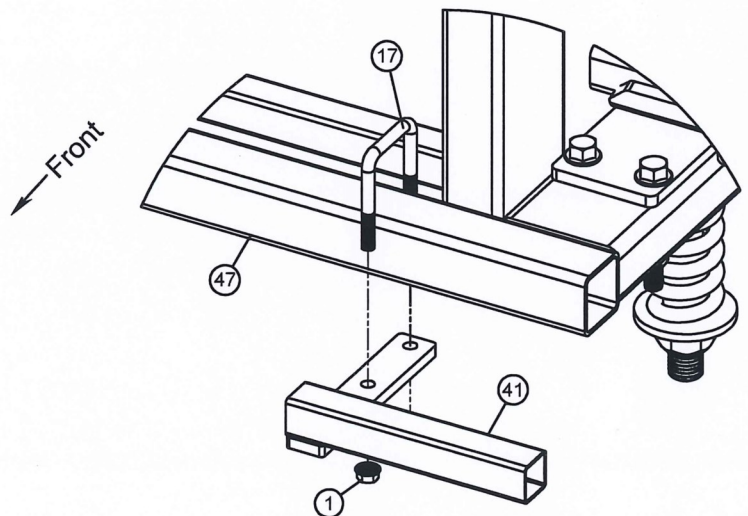
1357 Series Boom Assembly Details



DETAIL Mounting Angles & Stand

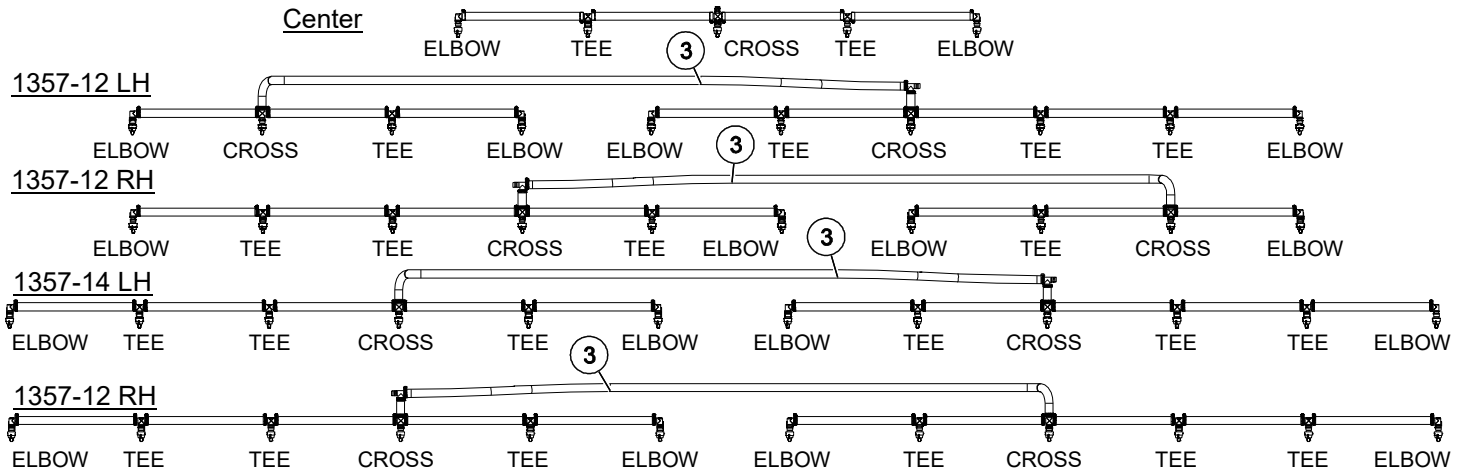


DETAIL RH Nozzle Extension



DETAIL LH Nozzle Extension

Complete Nozzle Harness Assemblies (1357-12-QJD & 1357-14-QJD)

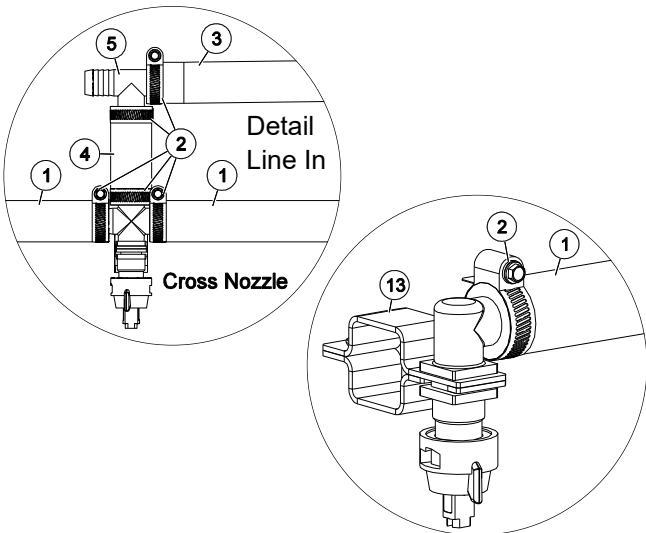
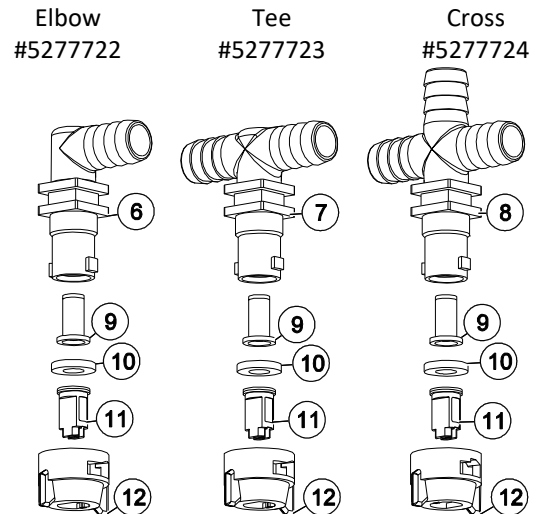


1357-12-QJD	12-Row, 5-Section (42') Boom Assembly	25 Nozzles
1357-14-QJD	14-Row, 5-Section (48') Boom Assembly	29 Nozzles

1357-12-QJD	Center Nozzle Harness	5277882
	LH Nozzle Harness	5277883
	RH Nozzle Harness	5277884
1357-14-QJD	Center Nozzle Harness	5277882
	LH Nozzle Harness	5277885
	RH Nozzle Harness	5277886

Ref. #	Part #	Description	1357-12-QJD	1357-14-QJD
1	5020287	Hose, 3/4"-1 BRD. x 19"	20	24
2	5051024	Hose Clamp, 3/4"	48	52
3	5020150	Hose, 3/4"-1 BRD. x 108"	2	2
4	5020351	Hose, 3/4"-1 BRD. x 3"	2	2
5	5086030	Poly Hose Barb, 3/4" x 3/4" x 3/4"	2	2
6	5056066	Single Hose Shank, 3/4" Elbow	10	10
7	5056068	Double Hose Shank, 3/4" TEE	10	14
8	5056070	Triple Hose Shank, 3/4" CROSS	5	5
9	5116019	Strainer, 50 Mesh (Blue)	25	29
10	5016157	Seat Washer (QJ Caps)	25	29
11	AIXR11003VP	Air-Induction XR Flat Spray Tip	25	29
12	5046217	QJ Cap Only (Blue)	25	29
13	5272165	Vari-Quick Clamp (1 1/4" Sq. Tube)	25	29

Typical Nozzle Assembly Configurations



NOTES:

All hoses that are not called out, will be hose #5020287 (Item 1)

All hose clamps (2 per hose) are #5051024 (Item 2)

Assemblies consist of "Elbow", "Tee" & "Cross" style nozzles.

Assemblies include: Nozzle Body, Strainer, Seat Washer, AIXR11003VP Nozzles & Nozzle Cap

NOTES:

Warranty Info

LIMITED WARRANTY FOR NEW FIMCO, INC.

WHO MAY USE THIS LIMITED WARRANTY. This limited warranty (the "Limited Warranty") is provided by Fimco, Inc. to the original purchaser ("you") of the Equipment (as defined below) from Fimco, Inc. or one of Fimco, Inc.'s authorized dealers. This Limited Warranty does not apply to any subsequent owner or other transferee of the Equipment. THIS LIMITED WARRANTY GIVES YOU SPECIFIC LEGAL RIGHTS, AND YOU MAY ALSO HAVE OTHER RIGHTS WHICH VARY FROM STATE TO STATE.

WHAT THIS LIMITED WARRANTY COVERS AND FOR HOW LONG. Fimco, Inc. warrants that any registered new Equipment will be free from defects in material and workmanship for a period of **one (1) year** (homeowner), **90 days** (commercial user), after delivery of the Equipment to you (the "Warranty Period"). The Warranty Period is not extended if Fimco, Inc. repairs or replaces the Equipment.

WHAT IS NOT COVERED BY THIS LIMITED WARRANTY. This Limited Warranty does not apply to: (1) used Equipment; (2) any Equipment that has been altered, changed, repaired or treated since its delivery to you, other than by Fimco, Inc. or its authorized dealers; (3) damage or depreciation due to normal wear and tear; (4) defects or damage due to failure to follow Fimco, Inc.'s operator's manual, specifications or other written instructions, or improper storage, operation, maintenance, application or installation of parts; (5) defects or damage due to misuse, accident or neglect, "acts of God" or other events beyond Fimco, Inc.'s reasonable control; (6) accessories, attachments, tools or parts that were not manufactured by Fimco, Inc., whether or not sold or operated with the Equipment; or (7) rubber parts, such as tires, hoses and grommets.

HOW TO OBTAIN WARRANTY SERVICE. To obtain warranty service under this Limited Warranty, you must (1) provide written notice to Fimco, Inc. of the defect during the Warranty Period and within **thirty (30) days** after the defect becomes apparent or the repair becomes necessary, at the following address: Fimco, Inc., 1000 Fimco Lane, North Sioux City, SD 57049; and (2) make the Equipment available to Fimco, Inc. or an authorized dealer within a reasonable period of time. For more information about this Limited Warranty, please call: **800-831-0027**

WHAT REMEDIES ARE AVAILABLE UNDER THIS LIMITED WARRANTY. If the conditions set forth above are fulfilled and the Equipment or any part thereof is found to be defective, Fimco, Inc. shall, at its own cost, and at its option, either repair or replace the defective Equipment or part. Fimco, Inc. will pay for shipping and handling fees to return the repaired or replacement Equipment or part to you.

LIMITATION OF IMPLIED WARRANTIES AND OTHER REMEDIES. THE REMEDIES DESCRIBED ABOVE ARE YOUR SOLE AND EXCLUSIVE REMEDIES, AND FIMCO, INC.'S SOLE LIABILITY, FOR ANY BREACH OF THIS LIMITED WARRANTY. TO THE EXTENT APPLICABLE, ANY IMPLIED WARRANTIES, INCLUDING, WITHOUT LIMITATION, THE IMPLIED WARRANTIES OF MERCHANTABILITY AND FITNESS FOR A PARTICULAR PURPOSE, SHALL BE LIMITED IN DURATION TO THE WARRANTY PERIOD, AND THE REMEDIES AVAILABLE FOR BREACH THEREOF SHALL BE LIMITED TO THE REMEDIES AVAILABLE UNDER THIS EXPRESS LIMITED WARRANTY. SOME STATES DO NOT ALLOW LIMITATIONS ON HOW LONG AN IMPLIED WARRANTY LASTS, SO THE ABOVE LIMITATION MAY NOT APPLY TO YOU. IN NO EVENT SHALL FIMCO, INC.'S LIABILITY UNDER THIS LIMITED WARRANTY EXCEED THE ACTUAL AMOUNT PAID BY YOU FOR THE DEFECTIVE EQUIPMENT, NOR SHALL FIMCO, INC. BE LIABLE, UNDER ANY CIRCUMSTANCES, FOR ANY CONSEQUENTIAL, INCIDENTAL, SPECIAL OR PUNITIVE DAMAGES OR LOSSES, WHETHER DIRECT OR INDIRECT. SOME STATES DO NOT ALLOW THE EXCLUSION OR LIMITATION OF INCIDENTAL OR CONSEQUENTIAL DAMAGES, SO THE ABOVE LIMITATION OR EXCLUSION MAY NOT APPLY TO YOU.