

# OWNER'S MANUAL

## 1200 Series Boom Assemblies

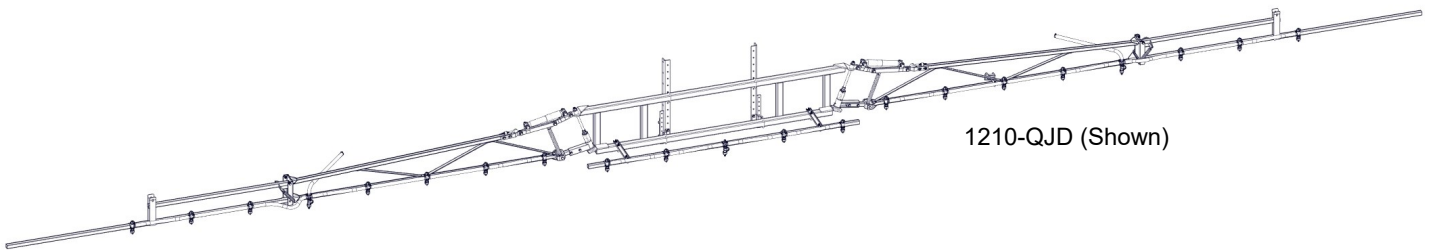
**Model:**  
1210 (5300449)  
10-Row Boom Assembly  
w/STD Nozzles

**Model:**  
1212 (5300448)  
12-Row Boom Assembly  
w/STD Nozzles

**Model:**  
1208-QJD (5300696)  
8-Row Boom Assembly  
w/QJD Nozzles

**Model:**  
1210-QJD (5300697)  
10-Row Boom Assembly  
w/QJD Nozzles

**Model:**  
1212-QJD (5300698)  
12-Row Boom Assembly  
w/QJD Nozzles



### General Information

Thank you for purchasing this product. The purpose of this manual is to assist you in operating and maintaining your Boom assembly.

**BEFORE RETURNING THIS PRODUCT  
FOR ANY REASON, PLEASE CALL**

**1-800-831-0027**

MONDAY-FRIDAY, 8:00 AM TO 5:00 PM CST

If you should have a question or experience a problem with your Fimco Industries Product: Visit our website @ [www.fimcoindustries.com](http://www.fimcoindustries.com) or call the Toll free number above. Our technical support representatives will be happy to help you.

In most cases a customer service rep. can resolve the problem over the phone.

To obtain prompt, efficient service, always remember to give the following information....

- Correct Part Description and/or part number
- Model number and Serial Number

Part descriptions and numbers can be obtained from the illustrated parts list section(s) of this manual.

**Retain a copy of your receipt for your unit, as it will be required to validate any warranty service.**

**Warranted against manufacturer or workmanship defects from date of purchase with copy of receipt:**

**Homeowner Usage: One Year.**

**Commercial Usage: 90 Days.**



**WARNING:** To reduce the risk of injury, the user must read and understand the operator's manual before using this product.



**WARNING:** Cancer and Reproductive Harm.  
[www.P65Warnings.ca.gov](http://www.P65Warnings.ca.gov)

- Model **1208-QJD** Boom Assembly (8-Row—28' Wide)
- Model **1210 & 1210-QJD** Boom Assembly (10-Row—35' Wide)
- Model **1212 & 1212-QJD** Boom Assembly (12-Row—42' Wide)



[www.fimcoindustries.com](http://www.fimcoindustries.com)

1000 FIMCO Lane, P.O. Box 1700, North Sioux City, SD 57049  
Toll Free Phone: 800-831-0027 : Toll Free Fax: 800-494-0440  
[5004228 (11/22)]

## Contents

Technical Specs and Warnings .....	2	Parts List .....	7
Assembly Instructions .....	3	Back Rack Breakdown/Parts List .....	8
Fold Up Instructions .....	3	1200 (STD) Harness Exploded View/Parts List .....	9
Calibration .....	4 - 5	1200 (QJD) Harness Exploded View/Parts List .....	11
Maintenance and Winter Storage .....	6	Warranty .....	12
1200 Boom Breakdown .....	7		

## 1200 Series Booms

### Technical Specifications All Models:

- Adjustable Spacing Nozzles
- Height Adjustment
- 4-Way Hinge for Boom Protection
- Cross-Over Folding
- Shock Absorbers for Easy Flotation
- Tips/Caps/Strainers are Standard (Tips: 'AIXR' series) (Air Induction eXtended Range)
- Square Boom Tube Construction
- Optional - Diaphragm Check Valve Nozzles Available (QJD) Models

(\*\*) These tips provide excellent chemical and acid resistance with an exceptionally long wear life.

110° wide tapered, flat spray angle with air induction technology for better drift management.

Compact size prevents tip damage.

These TeeJet tips produce large air-filled drops through a venture air aspirator.

### Approx. Weights:

Model 1208-QJD Boom Assembly - 205 Lbs.

Model 1210 & 1210-QJD Boom Assembly - 245 Lbs.

Model 1212 & 1212-QJD Boom Assembly - 255 Lbs.

**Always check the vehicle load rating before using a boom with sprayer, ensuring total weight is acceptable.**

**Do not exceed the recommended rating.**

### ~~~~~~IMPORTANT~~~~~

It is VERY important to test the sprayer, after attaching any boom with plain water before actual spraying is attempted. This will enable you to familiarize yourself with the sprayer and check for leaks without the possibility of losing any expensive chemicals.

### ~~~~~~WARNING~~~~~



**Read and Understand** the Owner's Manual before using this boom. Test and use in accordance to instructions.

**Read and Follow** chemical label instructions and wear protective gear when filling, using, cleaning and servicing the boom.

**Exercise Caution** in vehicle handling when towing/hauling a filled sprayer to avoid loss of control or overturning.

**Keep Sprayer and Spray materials** away from other people, children and pets.

**Do Not Turn on Power** to the sprayer, until ready to spray in order to avoid unintentional spray release.

**Do Not Use** on steep slopes. A full sprayer could cause loss of control or overturn sprayer and vehicle.

**Always operate** up and down a slope, never across the face of a slope.

**Keep all movement on slopes** slow and gradual. Do not make sudden changes in speed, directions or turning. Do not start or stop suddenly when going uphill or downhill.

**Stop on level ground**, set the parking brake and shut off engine before leaving the operator's position for any reason.

**Keep all parts** in good condition and properly installed. Fix damaged or worn parts immediately.

**Caution should be taken** when towing and/or using any sprayer. The sprayer combined with the weight distribution, turning radius and speed of vehicle can result in damage to vehicle, sprayer and/or boom or severe injury or death, if not used properly.

**Improper use or handling of chemicals could result in serious injury or illness, or could cause damage to the environment.**

### Assembly

1. Mount the center section (back rack) of the boom to the carrier or to the spring suspension boom attachment if one is being used. It may be necessary to loosen the bolts which hold the upright angles to the frame in order to adjust the upright angles to match attaching members of the carrier.
2. Attach the outer boom sections to the center frame assembly.
3. Attach the appropriate hose assemblies onto each of the three boom sections, the center section has (5) nozzles with "ELL" connectors on each end. Starting at the center, the nozzles should be placed about 20" apart.
4. Join the designated feeder hose to each boom section and secure in place with hose clamps.
5. Make sure all hose clamps are tight before testing or spraying for the first time.

**After assembling, sprayer will be ready to TEST w/plain water before actual use.**

### Fold Up Instructions

Use caution when folding booms. Do not force the pivot action. Remember that the entire sprayer may move unless it is anchored securely during the folding operation.

The 8 row boom assembly has only one outer boom section on each side, whereas the 10 and 12 row boom assemblies have two outer boom sections on each side Therefore the 8 row boom will only fold to the rear of the sprayer and against the center frame.

1208 Boom: begin with the right side outer boom. Pivot the entire outer boom assembly to the rear of the sprayer and against the center frame. Repeat procedure with left side and secure in the boom retainer with D-Ring lock pin. Use care when folding.

1210 & 1212 booms: remove the hairpin cotter and the clevis pin in outer boom connection. Fold the outer section up and over. Replace clevis pin and hairpin cotter after folding, as to not lose. Repeat procedure as described in 1208 above for folding remaining booms.

### Testing the Sprayer

**NOTE:** It is VERY important to test your sprayer with plain water before actual spraying is attempted. This will enable you to familiarize yourself with the sprayer and boom and to check for leaks, without the possibility of losing any expensive chemicals.

Follow the instructions in your sprayer manual for testing your sprayer.

Always have the pressure line open to the tips so that the air which may be trapped in the line will be forced (or purged) out. Start the tractor PTO. Check the entire system for leaks. Once the pump is primed, the pressure may be increased by turning the handle of the pressure relief valve. Keep the pressure line open to the tips when setting the pressure. Set the pressure and then lock the relief valve handle in place. Pressure will increase when the pressure line valve is closed and then return to the preset pressure when the valve is opened again.

The bypass valve is the "pressure control" for the entire plumbing system. The more the valve is open, the lower your line pressure. Almost fully closed provides maximum pressure to your boom and/or handgun. **NEVER run system with this valve 100% closed.**

During the testing period, be sure to observe the spray pattern given by the spray nozzles. If there is any pattern distortion, it will be necessary to remove and clean the affected tips.

**Caution:** Never use a metal object or other sharp item for cleaning a nozzle tip. It is better to use a nozzle brush (NOT wire brush) or compressed air for tip cleaning.

Conditions of weather and terrain must be considered when setting the sprayer. Do not spray on windy days. Protective clothing must be worn in some cases

**Be sure to read the chemical label(s) before application!**

## Calibration

Chemical labels may show application rates in gallons per acre, gallons per 1000 square feet or gallons per 100 square feet. You will note that the tip chart shows 2 of these rating systems.

Once you know how much you are going to spray, then determine (from the tip chart) the spraying pressure (PSI) and the spraying speed (MPH).

Determining the proper speed of the pulling vehicle can be done by marking off 100, 200 and 300 feet. The speed chart indicates the number of seconds it takes to travel the distances. Adjust the throttle until you travel the distances in the number of seconds indicated by the speed chart. Once you have reached the throttle setting needed, mark the throttle location, so you can stop and go again, returning to the same speed.

Add water and proper amount of chemical to the tank and drive to the starting place for spraying.

AIXR11003VP Spray Tip Rate Chart (20" Spacing)									
	Pressure (psi)	Capacity (GPM)	1 MPH	2 MPH	3 MPH	4 MPH	5 MPH	6 MPH	8 MPH
Gallons Per Acre Based on Water	15	.18	53.6	26.8	17.8	13.4	10.7	8.9	6.7
	20	.21	62.4	31.2	20.8	15.6	12.5	10.4	7.8
	30	.26	77.2	38.6	25.8	19.3	15.4	12.9	9.7
	40	.30	88.0	44.0	29.8	22.0	17.8	14.9	11.1
Gallons Per 1000 Sq. Ft. Based on Water	15	.18		.61	.41	.31	.24		
	20	.21		.71	.48	.36	.29		
	30	.26		.88	.59	.44	.35		
	40	.30		1.0	.68	.51	.41		

Speed Chart			
Speed in M.P.H. (Miles Per Hour)	Time Required in seconds to travel a distance of		
	100 Ft.	200 Ft.	300 Ft.
1.0	68 sec.	136	205
2.0	34	68	102
3.0	23	45	68
4.0	17	34	51
5.0	14	27	41
6.0	11	23	34
7.0	9.7	19	29
8.0	8.5	17	26

### Tip Selection

#### Important Note:

The tips supplied as standard with this boom assembly are number AIXR11003VP tips, when you refer to the spray tip rate chart found in this owner's manual, you will note that they have a GPA range of 10.7 to 17.8 GPA (Gallons Per Acre). This is tabulated at 5 MPH and from 15-40 psi and 20" nozzle spacing. These rates are based on water. Please read this tip selection section carefully before attempting to operate your boom assembly.

The selection of proper tips for the boom is determined by the gallon per acre (GPA) requirement, which is specified on the chemical label. The following characteristics also have a determining factor and must be considered:

1. Speed of spraying (MPH)
2. Boom nozzle spacing (specified in inches)
3. Solution weight and conversion factor (CF)
4. Gallons of solution to be sprayed per acre
5. Spraying pressure

#### Useful Formulas:

GPM—Gallons Per Minute

GPA—Gallons Per Acre

MPH—Miles Per Hour

### Nozzle Spacing

If the nozzle spacing on your boom is different from those tabulated, multiply the tabulated GPA coverage by one of the following factors.

Where Tables are Based on 20" Nozzle Spacing									
Other Spacing	8"	10"	12"	14"	16"	18"	22"	24"	30"
Conversion Factor	2.5	2	1.67	1.43	1.25	1.11	.91	.83	.66
Where Tables are Based on 30" Nozzle Spacing									
Other Spacing	26"	28"	32"	34"	36"	38"	40"	42"	44"
Conversion Factor	1.15	1.07	.94	.88	.83	.79	.75	.71	.68
Where Tables are Based on 40" Nozzle Spacing									
Other Spacing	28"	30"	32"	34"	36"	38"	42"	44"	48"
Conversion Factor	1.43	1.33	1.25	1.18	1.11	1.05	.95	.91	.83

### Spraying Solutions Other Than Water

Since all the tabulations are based on spraying water, which weights 8.34 lbs. per USA gallon, conversion factors must be used when spraying solutions which are heavier or lighter than water. To determine the proper size nozzle for the solution to be sprayed, first multiply the desired GPM or GPA of solution by the rate conversion factor. Then use the new converted GPM or GPA rate to select the proper size nozzle.

**Example:** Desired application rate is 20 GPA of 28% Nitrogen. Determine the correct nozzle size as follows:

$$\text{GPA (Solution)} \times \text{Conversion Factor} = \text{GPA}$$

$$20 \text{ GPA (28\%)} \times 1.13 = 22.6 \text{ GPA (Water)}$$

The applicator should choose a nozzle size that will supply 22.6 GPA of water at the desired pressure.

Weight of Solution	Specific Gravity	Conversion Factors
7.0 lbs. per gallon	.84	.92
8.0 lbs. per gallon	.96	.98
8.345 lbs. per gallon (Water)	1.00	1.00
9.0 lbs. per gallon	1.08	1.04
10.0 lbs. per gallon	1.20	1.10
10.66 lbs. per gallon (28% Nitrogen)	1.28	1.13
11.0 lbs. per gallon	1.32	1.15
12.0 lbs. per gallon	1.44	1.20
14.0 lbs. per gallon	1.68	1.30

### Miscellaneous Conversion Factors

One Acre = 43,560 square feet = 0.405 Hectare

One Hectare = 2.471 Acres

One Gallon Per Acre = 9.35 Liters Per Hectare

One Mile = 5280 Feet = 1610 Meters = 1.61 Kilometers

One Gallon = 128 Fluid Ounces = 8 Pints = 4 Quarts = 3.79

Liters = 0.83 Imperial Gallons

One Pound Per Square Inch = 0.069 bar. = 6.895 Kilopascals

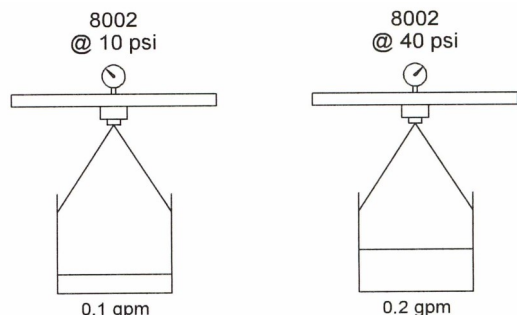
One Mile Per Hour = 1.609 Kilometers Per Hour

### Flow Rate

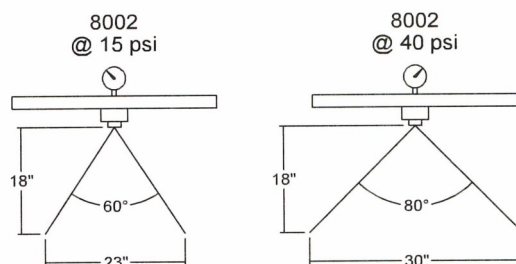
Nozzle flow rate varies with spraying pressure. In general, the relationship between GPM and pressure is as follows:

This equation is explained by the illustration below. Simply stated, to double the flow through a nozzle, the pressure be increased four times

Effect of Pressure on Volume



Effect of Pressure on Spray Angle



Higher pressure not only increases the flow rate of the nozzle, but it also influences the droplet size and the rate of orifice wear. As pressure is increased, the droplet size decreases and the rate of orifice wear is increased.

The values given in the tabulation section of this owner's manual indicate the most commonly used pressure ranges for the associated spray tips.

### Spray Angle and Coverage

Depending on the nozzle type and size, the operating pressure can have a significant effect on spray angle and quality of spray distribution. As shown above for an 8002 flat spray tip, as an example, lowering the pressure results in a smaller spray angle and a significant reduction in spray coverage.

Tabulations for spray tips shown in this owner's manual are based on spraying water. Generally, liquids more viscous than water form relatively smaller spray angles. Whereas, liquids with surface tensions lower than water will produce wider spray angles. In situations where the uniformity of spray distribution is important, be careful to operate spray tips within the proper pressure range.

**NOTE:** Suggested minimum spray heights for broadcast spraying are based upon nozzles spraying water at the rated spray angle.

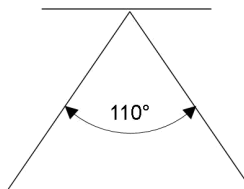
Suggested Minimum Spray Heights				
Nozzle Type	Nozzle Height			
	Spray Angle	20" Spacing	30" Spacing	40" Spacing
TeeJet (Flat Spray)	65°	22"-24"	33"-35"	NR*
TeeJet (XR TeeJet)	80°	17"-19"	26"-28"	NR*
TeeJet (XR TeeJet)	110°	12"-14"	16"-18"	NR*
FloodJet	120°	***	***	***

\* Not Recommended

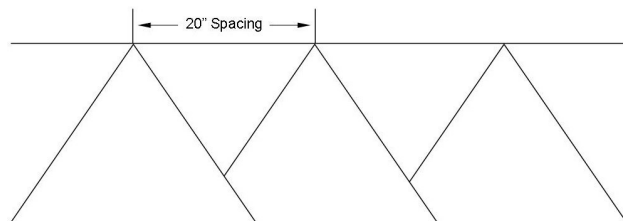
\*\*\* Wide Angle Spray Tip is influenced by nozzle orientation.

The critical factor is to achieve a double spray patten overlap.

Based on the minimum overlap required to obtain uniform distribution with 110° tips and 20" spacing.  
Suggested Minimum Spray Height: 16"-18" above what is being sprayed (to plant, not ground).  
Optimum Spray Height: 20"



- 110° wide, tapered flat spray angle with air induction technology for better drift management
- Made of 2-piece UHMWPE polymer construction which provides excellent chemical resistance, including acids, as well as exceptional wear life
- Compact size to prevent tip damage
- Excellent for systemic products and drift management



---

### After Spraying

After use, fill your sprayer tank part way with water. Start the sprayer and allow the clear water to be pumped through the plumbing system and out through the spray nozzles.

Refill the tank about half full with plain water and use FIMCO Tank Neutralizer and Cleaner and repeat cleaning instructions above. Flush the entire sprayer with the neutralizing/cleaning agent, then flush out one more time with plain water. Follow the chemical manufacturer's disposal instructions of all wash or rinsing water. For the boom, remove the tips and screens from the nozzle assemblies. Wash these items out thoroughly. Blow the orifice clean and dry. If the orifice remains clogged, clean it with a fine bristle (NOT WIRE) brush or with a toothpick. Do not damage the orifice. Water rinse and dry the tips before storing.

### Winterizing your Sprayer

It is essential that you winterize your sprayer to avoid damage and to allow for optimal performance. The winterization process should be undertaken before freezing conditions and/or after each season of use.

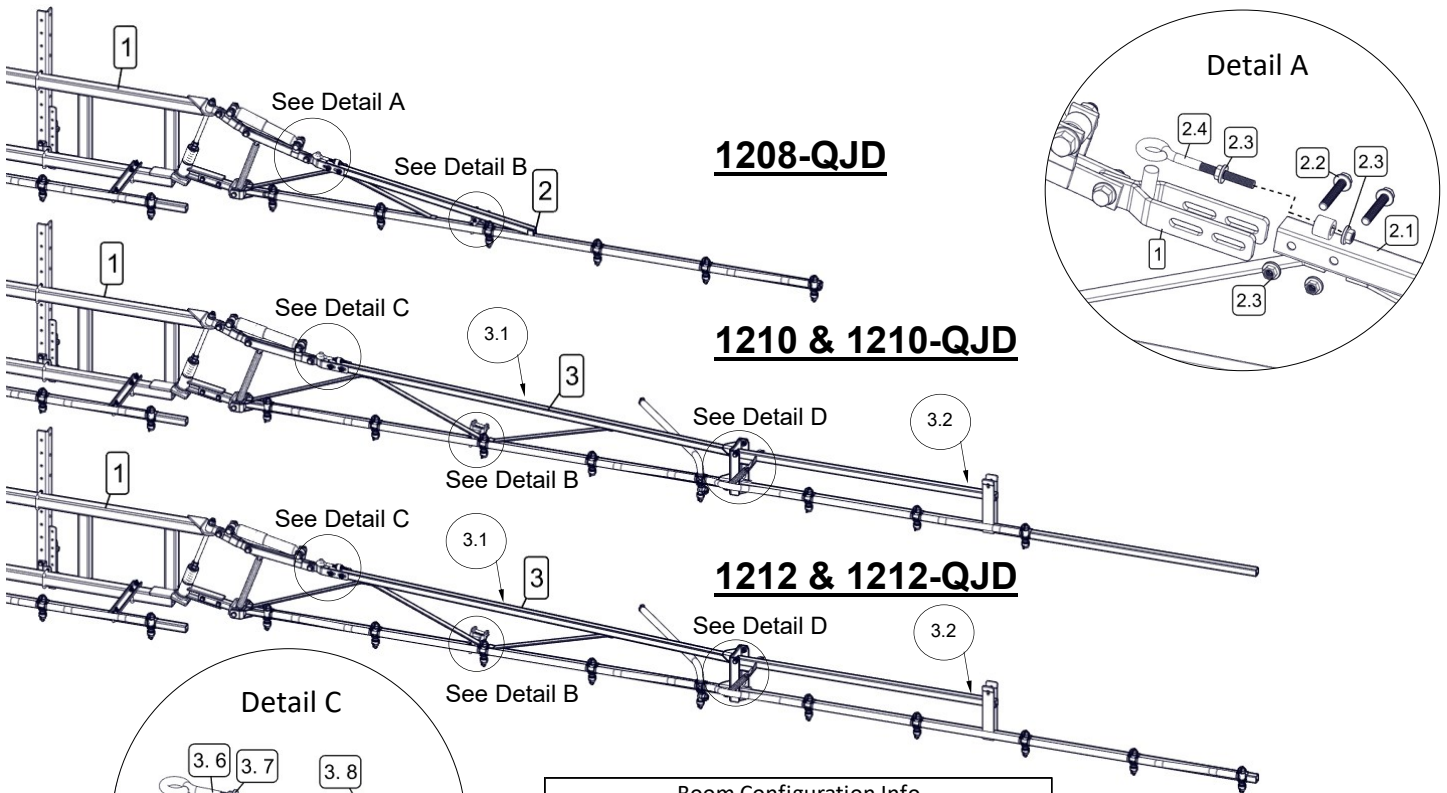
Drain all water out of your sprayer, paying special attention to the pump, handgun and valve(s). These items are especially prone to damage from chemicals and freezing weather.

The sprayer should be winterized before storage by pumping a solution of automotive antifreeze (containing a rust inhibitor) through the entire plumbing system. This antifreeze solution should remain in the plumbing system during the winter months.

1. Verify that the tank is empty and rinsed out. Pour 1-2 gallons of antifreeze into the tank. Using a solution of automotive antifreeze (containing a rust inhibitor).
2. Engage the pump and spray with the boom and spray gun (if applicable). Make sure that the antifreeze has been pumped through the entire system, including all spray nozzles.
3. Before spraying in the spring, it is recommended to flush the sprayer with fresh water to cleanse it of the antifreeze and any other buildup. It would also be beneficial to do a thorough inspection of all sprayer components before spraying.

Proper care and maintenance will prolong the life of your sprayer.

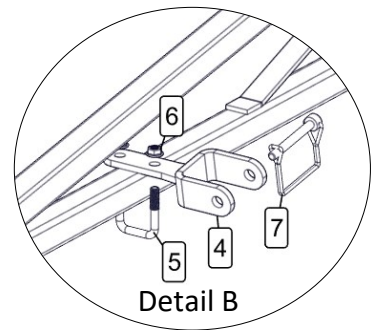
# 1200 SERIES BOOMS (STD & QJD) Breakdown



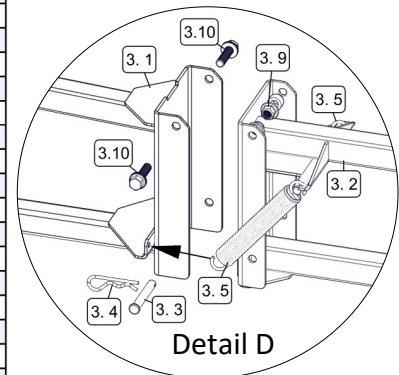
Boom Configuration Info		
1208-QJD	8-Row, 3-Section (28') Boom Assembly	17 Nozzles
1210/1210-QJD	10-Row, 5-Section (35') Boom Assembly	21 Nozzles
1212/1212-QJD	12-Row, 5-Section (42') Boom Assembly	25 Nozzles

Ref. #	Part #	Description	1210	1212	1208-QJD	1210-QJD	1212-QJD
1	5300325	Back Rack Assembly (1200 Series Boom)	1	1	1	1	1
2	5300189	End Boom Assembly 1208	-	-	2	-	-
2.1	5272076-BLK	End Boom (8-Row)	-	-	1	-	-
2.2	5034666	H.H.C.S. Flanged 3/8"-16nc x2 1/4 " Long	-	-	2	-	-
2.3	5006259	3/8"-16 Hex Whiz (Flange) Locknut	-	-	4	-	-
2.4	5034107	3/8" x 4" Eyebolt, Turned, Zinc-Plated	-	-	1	-	-
3	5277922	Outer Boom Assembly, 1210 & 1212	2	2	-	2	2
3.1	5272230-BLK	Wing Boom Weldment	1	1	-	1	1
3.2	5272232-BLK	End Boom Weldment (10 & 12-Row)	1	1	-	1	1
3.3	5101064	Clevis Pin, 3/8" Dia. x 2 5/8"	1	1	-	1	1
3.4	5101065	#211 Hitch Pin Clip (Zinc Plated)	1	1	-	1	1
3.5	5019143	Extension Spring	2	2	-	2	2
3.6	5034107	3/8" x 4" Eyebolt, Turned, Zinc-Plated	1	1	-	1	1
3.7	5006259	3/8"-16 Hex Whiz (Flange) Locknut	4	4	-	4	4
3.8	5034666	H.H.C.S. Flanged 3/8"-16nc x2 1/4 " Long	2	2	-	2	2
3.9	5006345	3/8"-16nc Hex Flanged Toplock Nut	2	2	-	2	2
3.10	5034663	H.H.C.S. Flanged 3/8"-16nc x 1 1/2" Long	2	2	-	2	2
4	5278772-BLK	Boom Retainer Weldment	1	1	1	1	1
5	5034159	Square U-Bolt, 5/16" x 1 5/16" x 1 7/8"	1	1	1	1	1
6	5006307	5/16"-18nc Hex Flanged Whiz Nut	2	2	2	2	2
7	5101302	D-Ring Lock Pin, 5/16" Dia. x 2-3/4"	1	1	1	1	1
8	5277809	LH End Nozzle Harness (10-Row, STD)	1	-	-	-	-
9	5277811	LH End Nozzle Harness (12-Row, STD)	-	1	-	-	-
10	5277761	Center Nozzle Harness (10 & 12-Row STD)	1	1	-	-	-
11	5277810	RH End Nozzle Harness (10-Row, STD)	1	-	-	-	-
12	5277813	RH End Nozzle Harness (12-Row, STD)	-	1	-	-	-
13	5277852	LH End Nozzle Harness (8- Row, QJD)	-	-	1	-	-
14	5277856	LH End Nozzle Harness (10-Row, QJD)	-	-	-	1	-
15	5277858	LH End Nozzle Harness (12-Row, QJD)	-	-	-	-	1
16	5277767	Center Nozzle Harness (8, 10 & 12- Row, QJD)	-	-	1	1	1
17	5277853	RH End Nozzle Harness (8-Row, QJD)	-	-	1	-	-
18	5277857	RH End Nozzle Harness (10-Row, QJD)	-	-	-	1	-
19	5277859	RH End Nozzle Harness (12-Row, QJD)	-	-	-	-	1

Boom Retainer

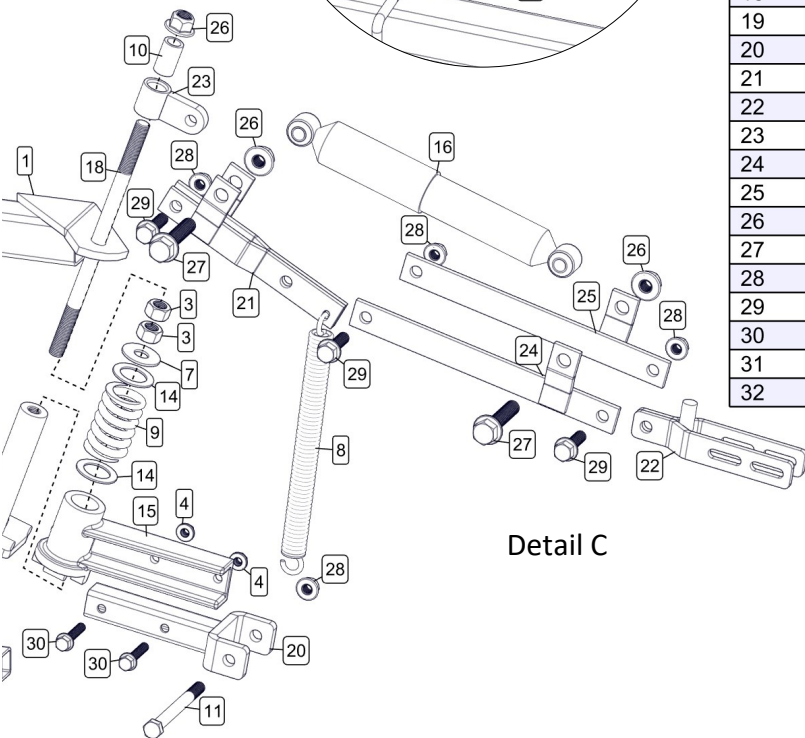
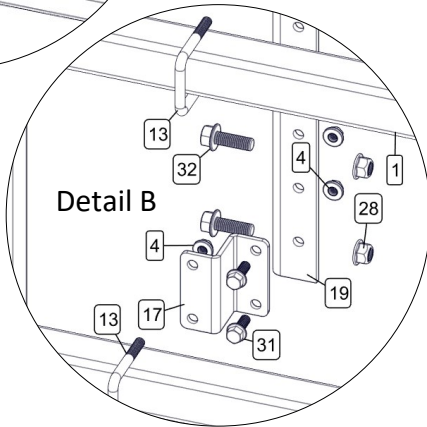
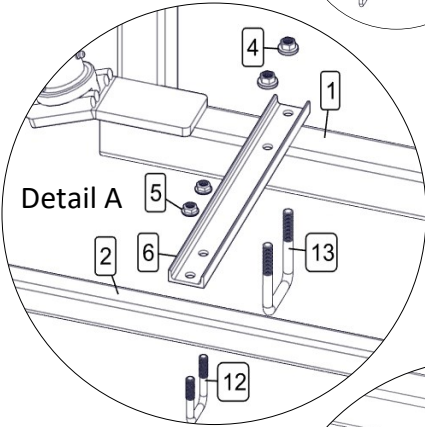
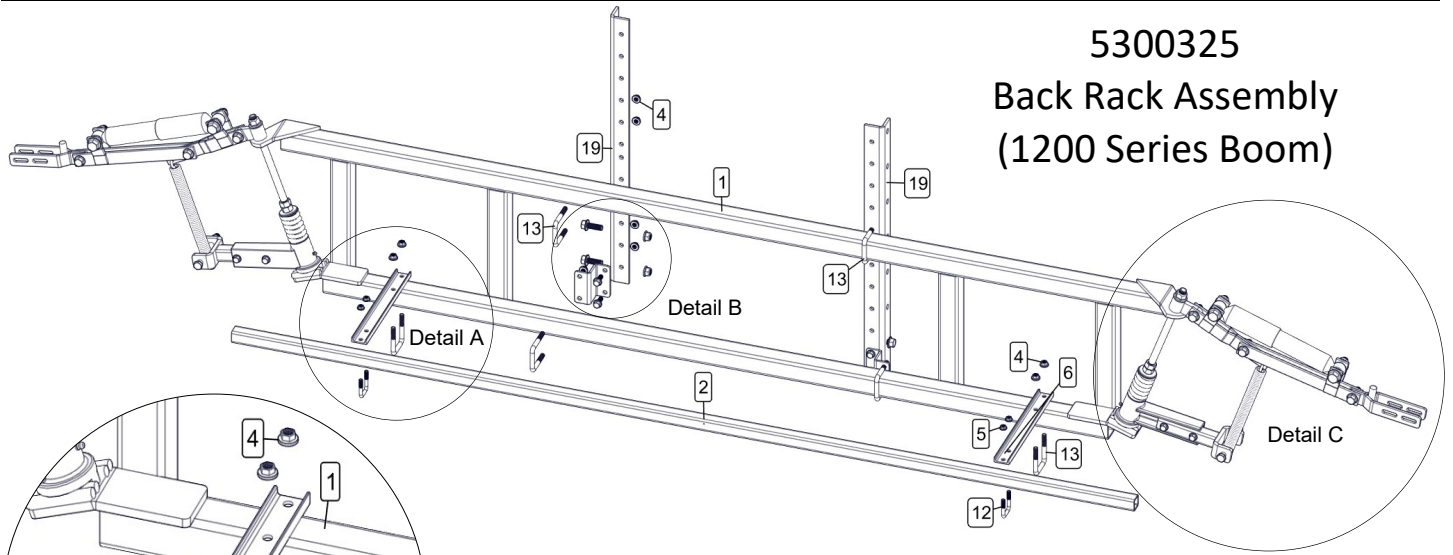


1210/1212 Outer Hinge



# 1200-SERIES BOOMS (STD & QJD) Back Rack Detail

## 5300325 Back Rack Assembly (1200 Series Boom)

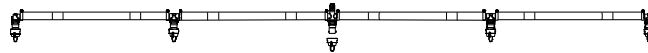


Ref. #	Part #	Description	Qty
1	5272327-BLK	Center Frame Weldment (1200 Series)	1
2	5009253-BLK	Boom Tube	1
3	5006096	5/8"-11 Hex Nut	4
4	5006259	3/8"-16 Hex Whiz (Flange) Locknut	20
5	5006307	5/16"-18 Hex Whiz (Flange) Locknut	4
6	5013171-BLK	Boom Channel	2
7	5016053	Flatwasher, 5/8"	2
8	5019097	Hinge Spring	2
9	5019135-BLK	Compression Spring	2
10	5031090	Bearing	2
11	5034143	H.H.C.S., 1/2"-13 x 5 1/2"	2
12	5034159	Square U-Bolt, 5/16" x 1 5/16" x 1 7/8"	2
13	5034188	Square U-Bolt, 3/8" Dia. x 2 1/8" x 2 7/8"	6
14	5041041	Machine Bushing, 1 1/4" ID x 1 7/8" OD	4
15	5080044-BLK	Cast Hinge	2
16	5103008	Shock Absorber	2
17	5127074-BLK	Spacer	2
18	5134031	Full Thread Stud, 5/8"-11 x 12"	2
19	5144030-BLK	Upright	2
20	5272078-BLK	Connector Weldment	2
21	5272080-BLK	Upper Link Weldment	2
22	5272113-BLK	Adjuster Weldment	2
23	5277939-BLK	Collar Weldment	2
24	5272330-BLK	Link Weldment (R.H.)	2
25	5272331-BLK	Link Weldment (L.H.)	2
26	5006364	5/8-11nc Hex Flanged Toplock Nut	6
27	5034724	H.H.C.S. Flanged 5/8"-11nc x 3"	4
28	5006365	1/2-13nc Hex Flanged Toplock Nut	12
29	5034693	H.H.C.S. Flanged 1/2"-13nc x 1 3/4"	6
30	5034665	H.H.C.S. Flanged 3/8"-16nc x 2"	4
31	5117307	H.H.C.S. Flanged 3/8"-16nc x 1"	4
32	5034692	H.H.C.S. Flanged 1/2"-13nc x 1 1/2"	4

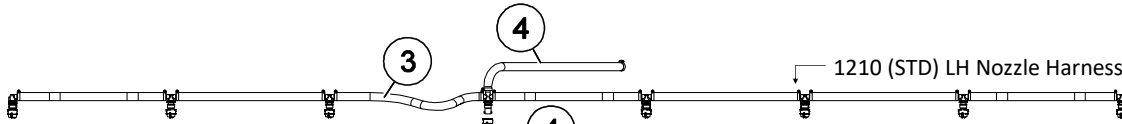


# 1200-SERIES (STD) Nozzle Harness Parts List

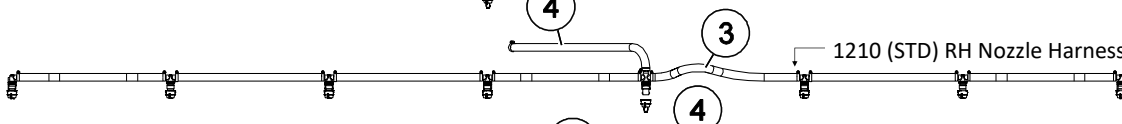
1210 & 1212 (STD) Center Nozzle Harness (#5277761)



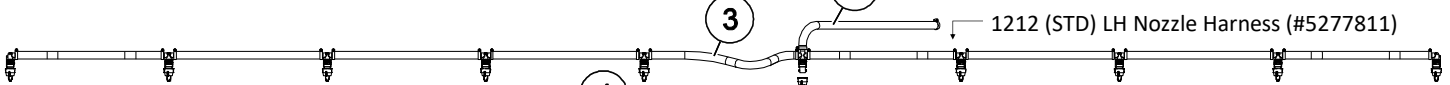
1210 (STD) LH Nozzle Harness (#5277809)



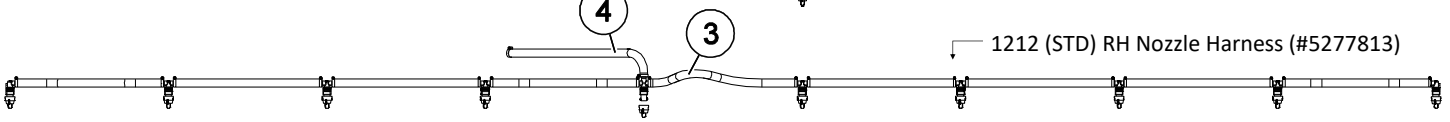
1210 (STD) RH Nozzle Harness (#5277810)



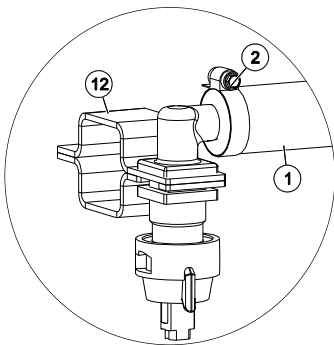
1212 (STD) LH Nozzle Harness (#5277811)



1212 (STD) RH Nozzle Harness (#5277813)



Ref. #	Part #	Description	1210	1212
1	5020569	Hose, 1/2"-1 BRD. x 19-3/8"	14	18
2	5051114	Hose Clamp, 1/2"	28	36
3	5020576	Hose, 1/2"-1 BRD. x 26"	2	2
4	5020124	Hose, 1/2"-1 BRD. x 8 Ft.	2	2
5	5056065	Single Hose Shank (1/2" Hose)	6	6
6	5056067	Double Hose Shank (1/2" Hose)	12	16
7	5056069	Triple Hose Shank (1/2" Hose)	3	3
8	5143543	Check Valve Strainer, 50 Mesh, 5 PSI	21	25
9	5016157	Seat Washer (QJ Caps)	21	25
10	AIXR11003VP	Air-Induction XR Flat Spray Tip	21	25
11	5046217	QJ Cap Only (Blue)	21	25
12	5272165	Vari-Quick Clamp (1 1/4" Sq. Tube)	21	25



Typical Nozzle Assembly Configurations

**NOTES:**

All hoses in this boom assembly that are not called out, will be part #5020569 (Item 1)

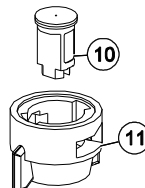
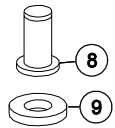
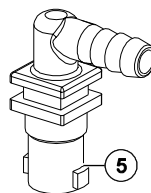
All hose clamps (2 per hose) are #5051114 (Item 2)

The AIXR TeeJet Flat Spray Tip offers the benefits of obtaining excellent drift resistance without compromising spray coverage. Tips producing very coarse droplets do minimize drift but do not provide the same surface coverage as tips that produce smaller droplets. In some applications, inadequate coverage decreases the effectiveness of the applied chemicals.

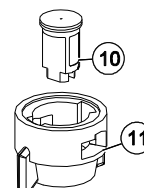
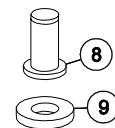
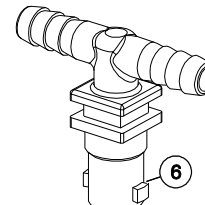
**AIXR Features and Benefits**

- 110° wide, tapered flat spray angle with air induction technology for better drift management
- Made of 2-piece UHMWPE polymer construction which provides excellent chemical resistance, including acids, as well as exceptional wear life
- Compact size to prevent tip damage
- Removable pre-orifice
- Excellent for systemic products and drift management

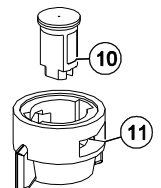
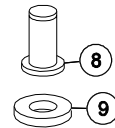
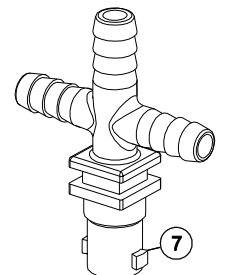
Elbow Assembly #5281310



Tee Assembly #5281312

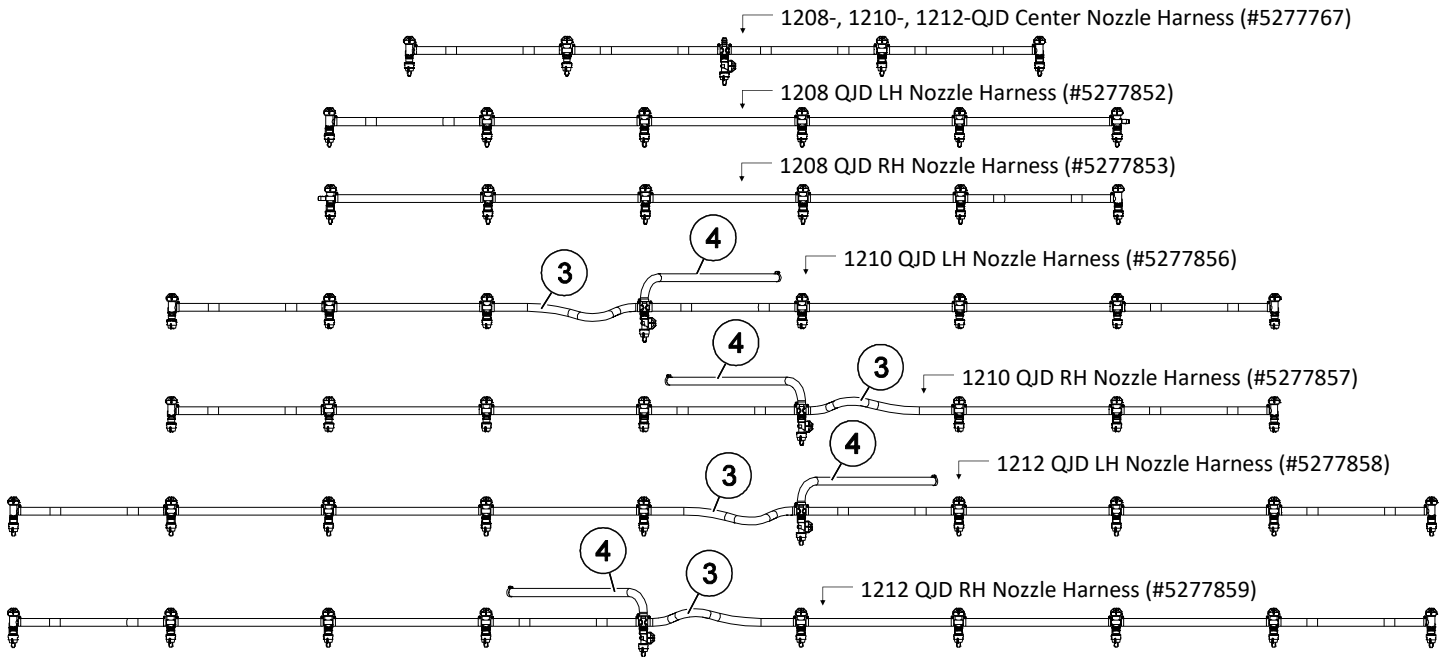


Cross Assembly #5281314

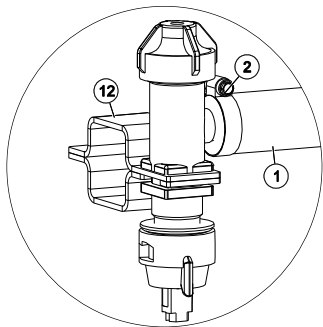


Nozzle Assemblies consist of "Elbow", "Tee" & "Cross" style nozzles. Assemblies include: Nozzle Body, Strainer, Seat Washer, AIXR11003VP Nozzles & Nozzle Cap

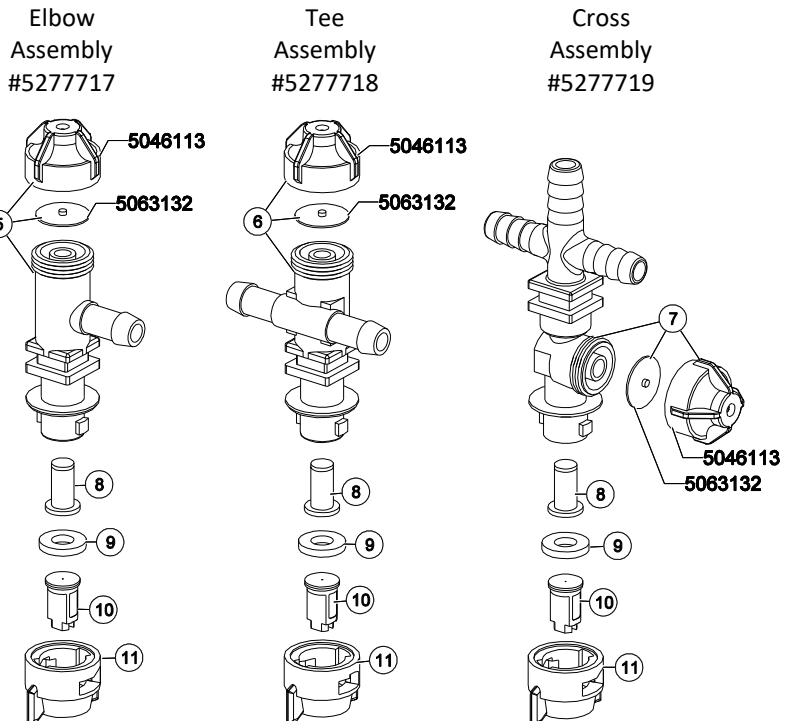
# 1200-SERIES (QJD) Nozzle Harness Parts List



Ref. #	Part #	Description	1208-QJD	1210-QJD	1212-QJD
1	5020569	Hose, 1/2"-1 BRD. x 19-3/8"	14	16	20
2	5051114	Hose Clamp, 1/2"	28	40	48
3	5020576	Hose, 1/2"-1 BRD. x 26"	-	2	2
4	5020124	Hose, 1/2"-1 BRD. x 8 Ft.	-	2	2
5	5056086	Vari-Quick "End" Nozzle Assembly	4	6	6
6	5056089	Vari-Quick "Tee" Nozzle Assembly	12	12	16
7	5056075	Vari-Quick "Cross" Nozzle Assembly	1	3	3
8	5116019	Strainer, 50 Mesh (Blue)	17	21	25
9	5016157	Seat Washer (QJ Caps)	17	21	25
10	AIXR11003VP	Air-Induction XR Flat Spray Tip	17	21	25
11	5046217	QJ Cap Only (Blue)	17	21	25
12	5272165	Vari-Quick Clamp (1 1/4" Sq. Tube)	17	21	25



## Typical Nozzle Assembly Configurations



### NOTES:

All hoses in this boom assembly that are not called out, will be part #5020569 (Item 1)

All hose clamps (2 per hose) are #5051114 (Item 2)

The AIXR TeeJet Flat Spray Tip offers the benefits of obtaining excellent drift resistance without compromising spray coverage. Tips producing very coarse droplets do minimize drift but do not provide the same surface coverage as tips that produce smaller droplets. In some applications, inadequate coverage decreases the effectiveness of the applied chemicals.

### AIXR Features and Benefits

- 110° wide, tapered flat spray angle with air induction technology for better drift management
- Made of 2-piece UHMWPE polymer construction which provides excellent chemical resistance, including acids, as well as exceptional wear life
- Compact size to prevent tip damage
- Removable pre-orifice
- Excellent for systemic products and drift management

Nozzle Assemblies consist of "Elbow", "Tee" & "Cross" style nozzles. Assemblies include: Nozzle Body, Strainer, Seat Washer, AIXR11003VP Nozzles & Nozzle Cap

NOTES:

## Warranty Info

### LIMITED WARRANTY FOR NEW FIMCO, INC.

**WHO MAY USE THIS LIMITED WARRANTY.** This limited warranty (the "Limited Warranty") is provided by Fimco, Inc. to the original purchaser ("you") of the Equipment (as defined below) from Fimco, Inc. or one of Fimco, Inc.'s authorized dealers. This Limited Warranty does not apply to any subsequent owner or other transferee of the Equipment. THIS LIMITED WARRANTY GIVES YOU SPECIFIC LEGAL RIGHTS, AND YOU MAY ALSO HAVE OTHER RIGHTS WHICH VARY FROM STATE TO STATE.

**WHAT THIS LIMITED WARRANTY COVERS AND FOR HOW LONG.** Fimco, Inc. warrants that any registered new Equipment will be free from defects in material and workmanship for a period of **one (1) year** (homeowner), **90 days** (commercial user), after delivery of the Equipment to you (the "Warranty Period"). The Warranty Period is not extended if Fimco, Inc. repairs or replaces the Equipment.

**WHAT IS NOT COVERED BY THIS LIMITED WARRANTY.** This Limited Warranty does not apply to: (1) used Equipment; (2) any Equipment that has been altered, changed, repaired or treated since its delivery to you, other than by Fimco, Inc. or its authorized dealers; (3) damage or depreciation due to normal wear and tear; (4) defects or damage due to failure to follow Fimco, Inc.'s operator's manual, specifications or other written instructions, or improper storage, operation, maintenance, application or installation of parts; (5) defects or damage due to misuse, accident or neglect, "acts of God" or other events beyond Fimco, Inc.'s reasonable control; (6) accessories, attachments, tools or parts that were not manufactured by Fimco, Inc., whether or not sold or operated with the Equipment; or (7) rubber parts, such as tires, hoses and grommets.

**HOW TO OBTAIN WARRANTY SERVICE.** To obtain warranty service under this Limited Warranty, you must (1) provide written notice to Fimco, Inc. of the defect during the Warranty Period and within **thirty (30) days** after the defect becomes apparent or the repair becomes necessary, at the following address: Fimco, Inc., 1000 Fimco Lane, North Sioux City, SD 57049; and (2) make the Equipment available to Fimco, Inc. or an authorized dealer within a reasonable period of time. For more information about this Limited Warranty, please call: **800-831-0027**

**WHAT REMEDIES ARE AVAILABLE UNDER THIS LIMITED WARRANTY.** If the conditions set forth above are fulfilled and the Equipment or any part thereof is found to be defective, Fimco, Inc. shall, at its own cost, and at its option, either repair or replace the defective Equipment or part. Fimco, Inc. will pay for shipping and handling fees to return the repaired or replacement Equipment or part to you.

**LIMITATION OF IMPLIED WARRANTIES AND OTHER REMEDIES.** THE REMEDIES DESCRIBED ABOVE ARE YOUR SOLE AND EXCLUSIVE REMEDIES, AND FIMCO, INC.'S SOLE LIABILITY, FOR ANY BREACH OF THIS LIMITED WARRANTY. TO THE EXTENT APPLICABLE, ANY IMPLIED WARRANTIES, INCLUDING, WITHOUT LIMITATION, THE IMPLIED WARRANTIES OF MERCHANTABILITY AND FITNESS FOR A PARTICULAR PURPOSE, SHALL BE LIMITED IN DURATION TO THE WARRANTY PERIOD, AND THE REMEDIES AVAILABLE FOR BREACH THEREOF SHALL BE LIMITED TO THE REMEDIES AVAILABLE UNDER THIS EXPRESS LIMITED WARRANTY. SOME STATES DO NOT ALLOW LIMITATIONS ON HOW LONG AN IMPLIED WARRANTY LASTS, SO THE ABOVE LIMITATION MAY NOT APPLY TO YOU. IN NO EVENT SHALL FIMCO, INC.'S LIABILITY UNDER THIS LIMITED WARRANTY EXCEED THE ACTUAL AMOUNT PAID BY YOU FOR THE DEFECTIVE EQUIPMENT, NOR SHALL FIMCO, INC. BE LIABLE, UNDER ANY CIRCUMSTANCES, FOR ANY CONSEQUENTIAL, INCIDENTAL, SPECIAL OR PUNITIVE DAMAGES OR LOSSES, WHETHER DIRECT OR INDIRECT. SOME STATES DO NOT ALLOW THE EXCLUSION OR LIMITATION OF INCIDENTAL OR CONSEQUENTIAL DAMAGES, SO THE ABOVE LIMITATION OR EXCLUSION MAY NOT APPLY TO YOU.