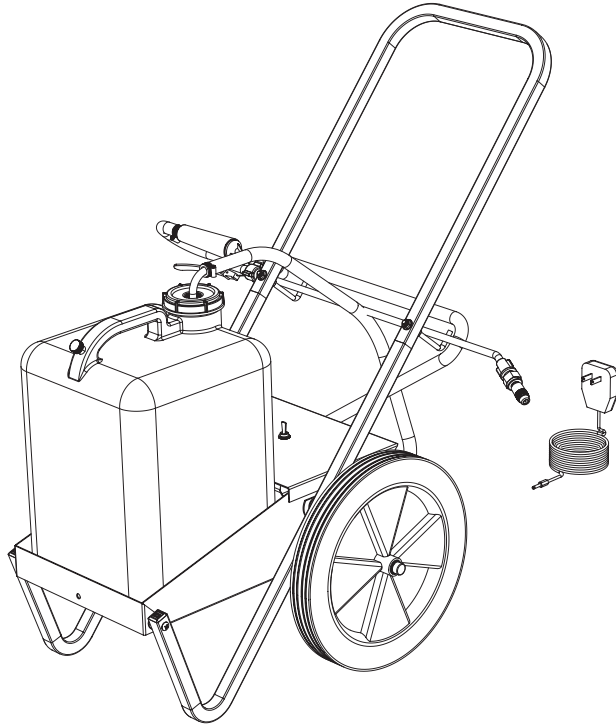


5300250

MODEL NO. LG-5-P

12 Volt Electric Sprayer With Battery Charger

Assembly / Operation Instructions/ Parts



INTRODUCTION

Read all of the instructions before starting the unit. Mistakes can be avoided when you understand the sprayer. Refer to the exploded view drawing and parts list to familiarize yourself with the unit. Assembly tells you how to put your sprayer together. Operation tells you how to use your sprayer correctly and safely.

ASSEMBLY

Most of the sprayer has been assembled by the factory. The remaining parts may be put together by following these directions.

1. Remove the unit from the carton, locate the small parts bag, and remove the parts.
2. Thread a 1/4" flange locknut all the way onto each hook bolt, upsidedown.
3. Slide the handle onto the square inserts on the frame. Insert a hook bolt into the lower holes in the handle as shown on the exploded view drawing. Tighten another 1/4" flange locknut onto the hook bolts.
4. Remove the cap on the 5 gallon container handle. Puncture a small hole in the membrane. This is the breather opening and should be open when the pump is working. Thread the cap in place for storage only.

OPERATION

Fill the container with solution (water and chemical) then stir to mix. Mixing can also be accomplished by sticking the handgun nozzle into the container and spray into the solution.

Turn the switch "on" and squeeze the lever on the handgun to spray.

After spraying rinse and clean the equipment both inside and out. Flush the pumping system with water.

BATTERY CHARGING

It is a good idea to charge the battery for 8-10 hours before using the sprayer. Especially if you plan to spray for a long period of time. This will insure that the battery is fully charged.

Charging the battery may be accomplished as follows:

1. Plug the charger into a 110 volt A.C. electric receptacle.
2. Insert the plug (which is molded onto the end of the charger wire) into the jack which is located on the rear of the sprayer.
3. Disconnect the plug from the jack and the charger from the electrical outlet when the charging operation is completed.

CAUTION: Do not leave charger connected to battery for longer than 20 hours as it may cause premature battery failure.

AFTER SPRAYING

After use fill the sprayer part way with plain water, start the sprayer and allow clear water to be pumped through the plumbing system and out through the handgun.

Follow the chemical manufacturers disposal instructions of all wash or rinsing water.

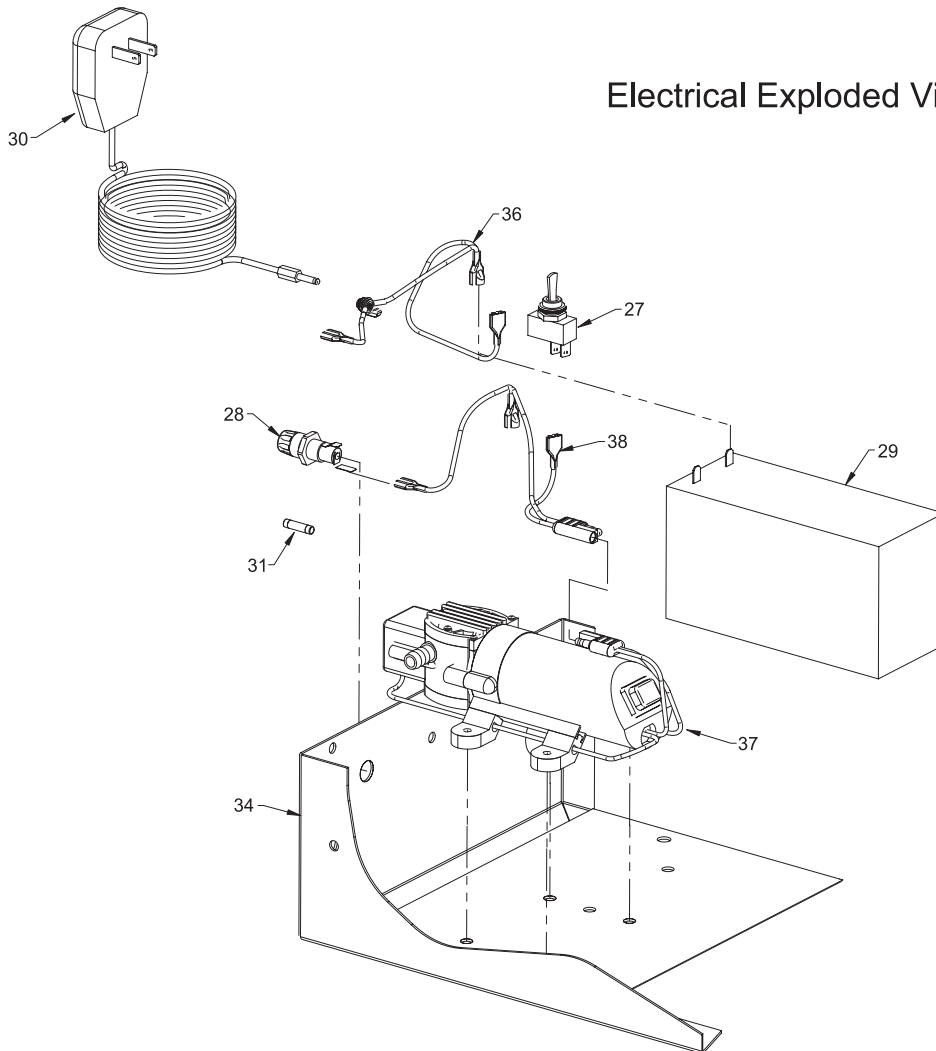
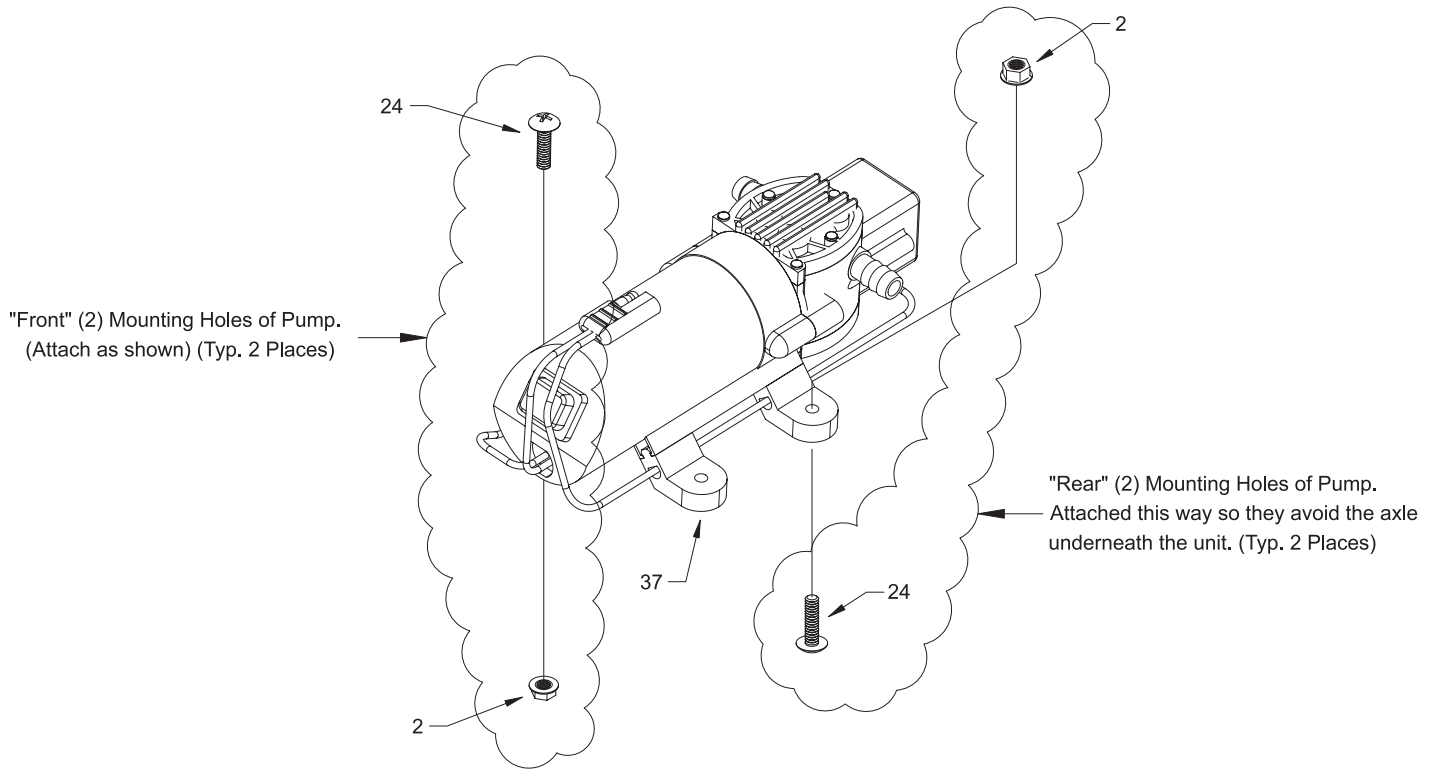
WINTER STORAGE

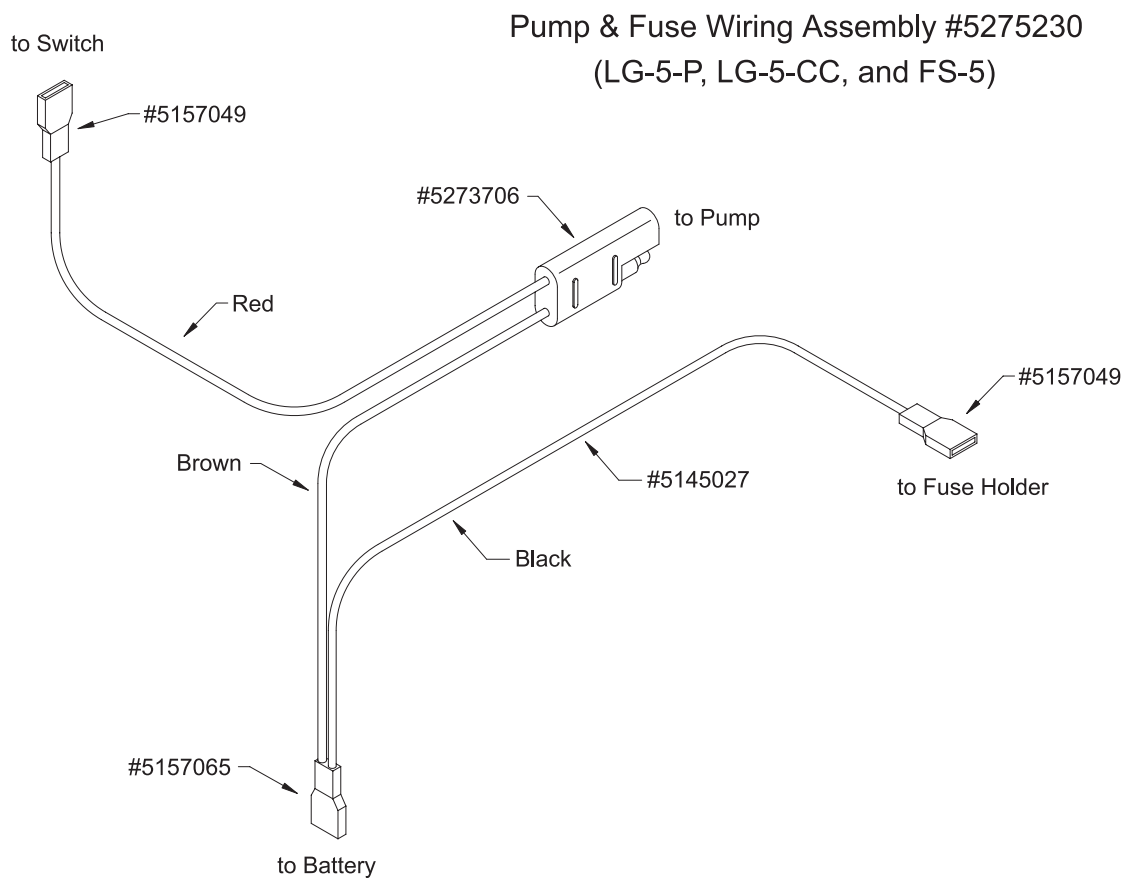
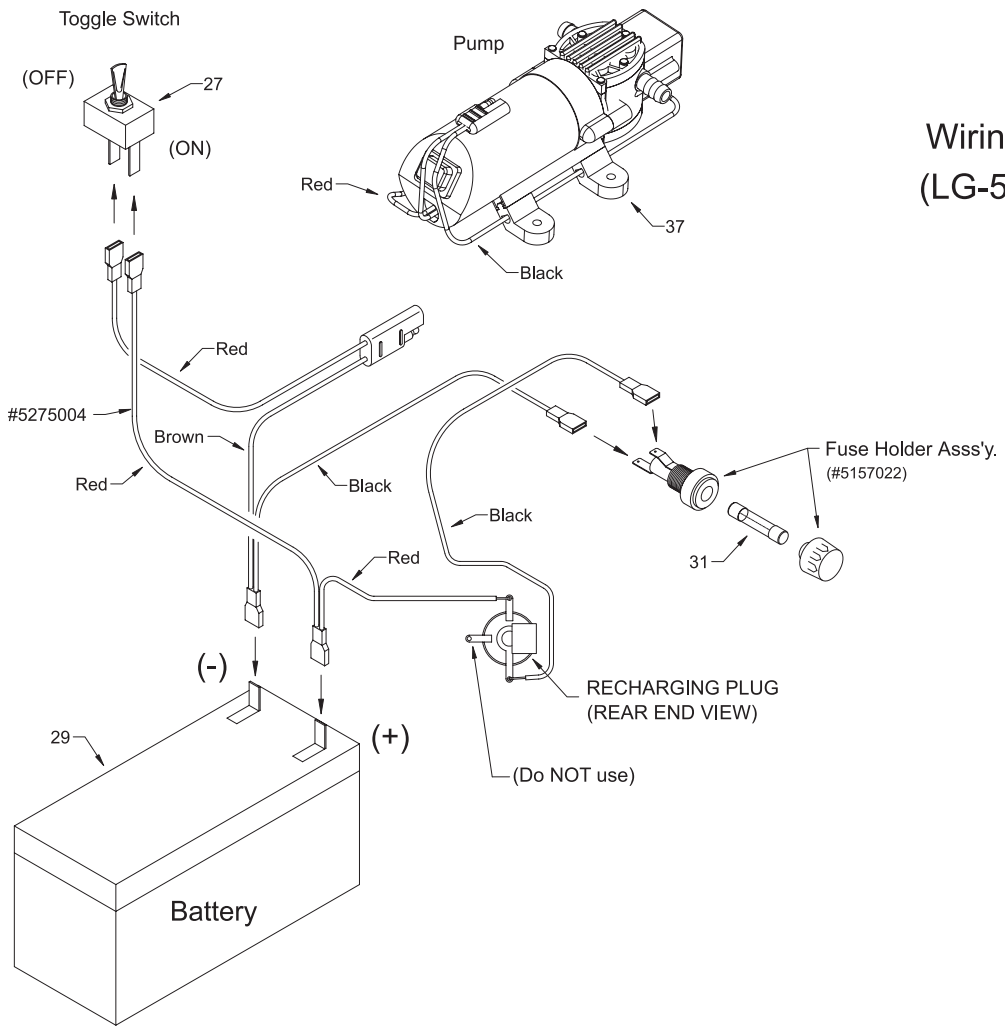
Drain all water out of the sprayer paying special attention to the pump & handgun. These items are especially prone to damage from chemicals and freezing weather.

The sprayer should be winterized before storage by pumping RV anti-freeze through the entire plumbing. Proper care and maintenance will prolong the life of the sprayer.

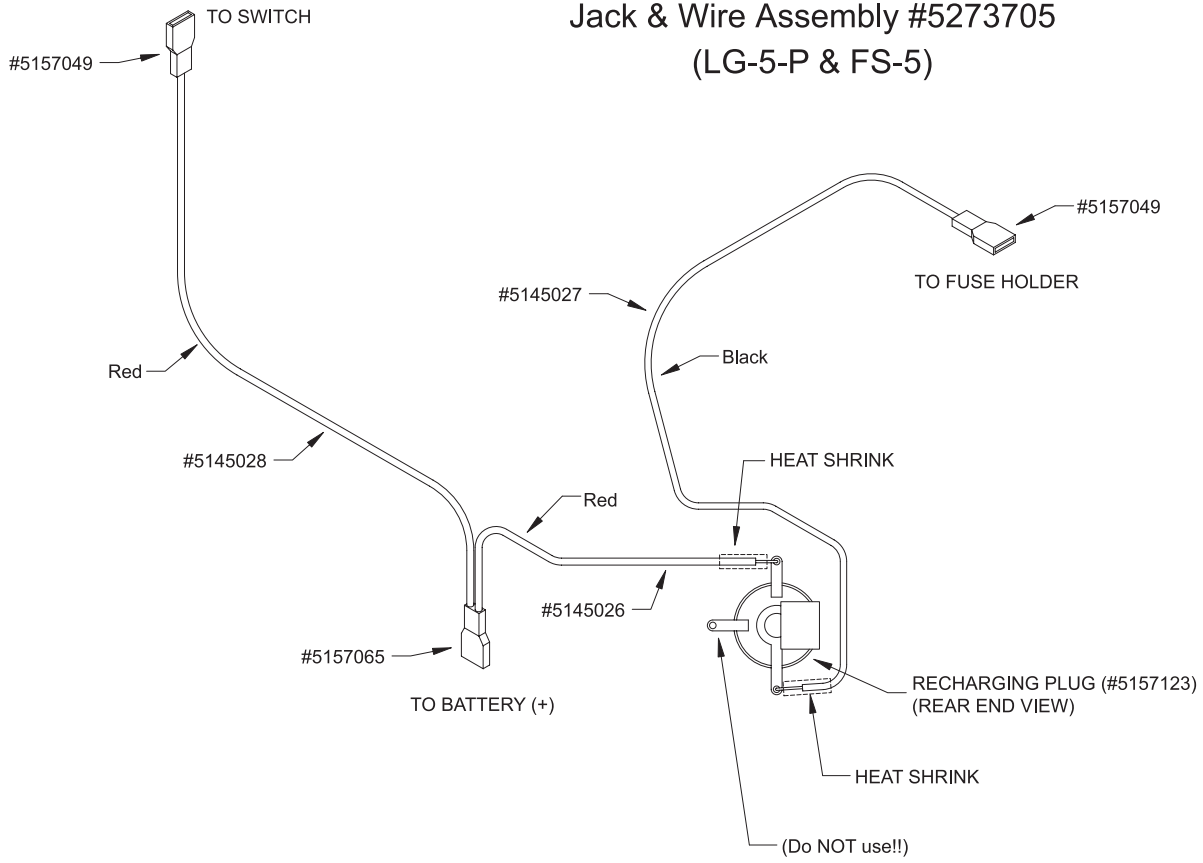


Nut & Bolt Orientation at the Pump

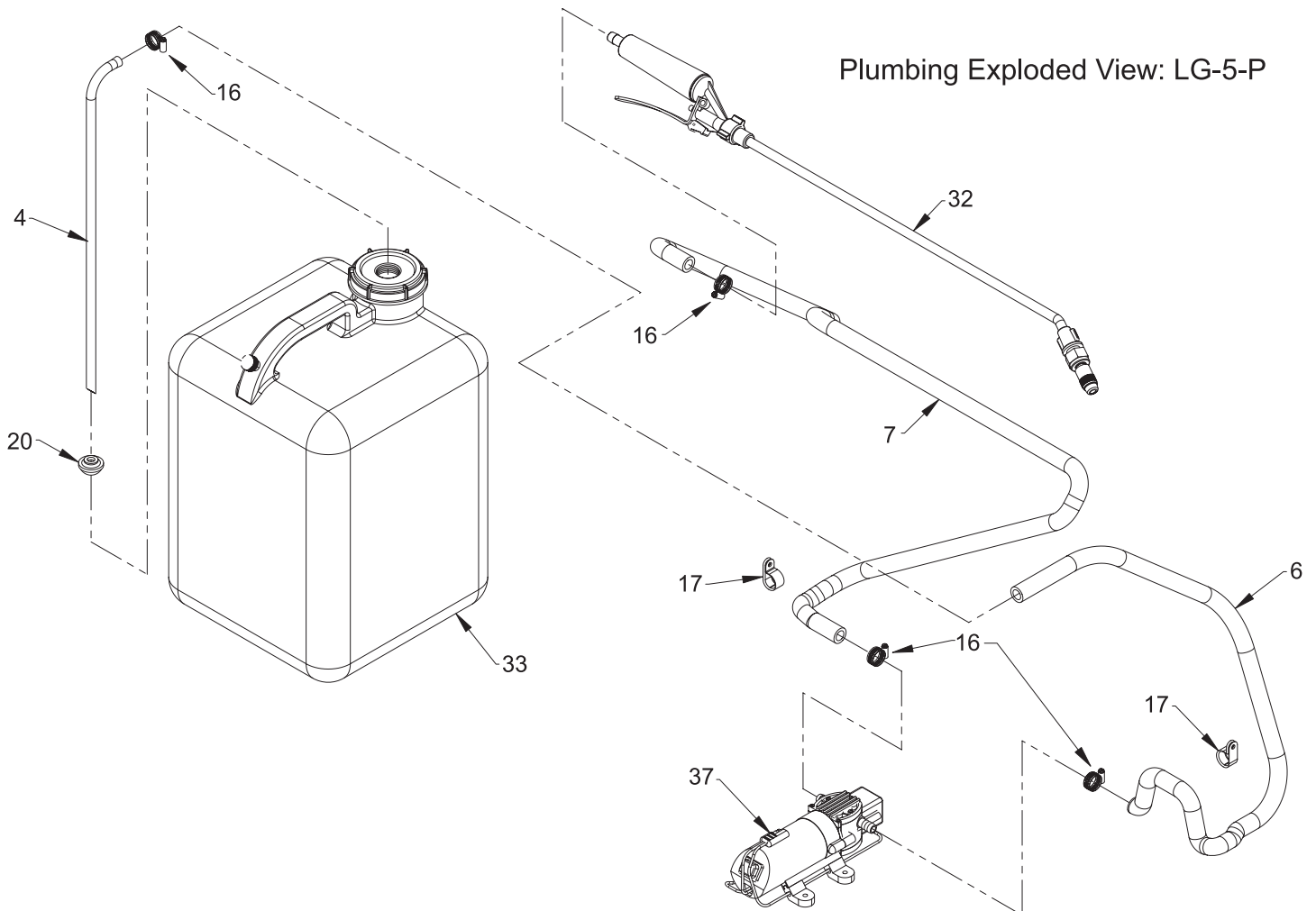




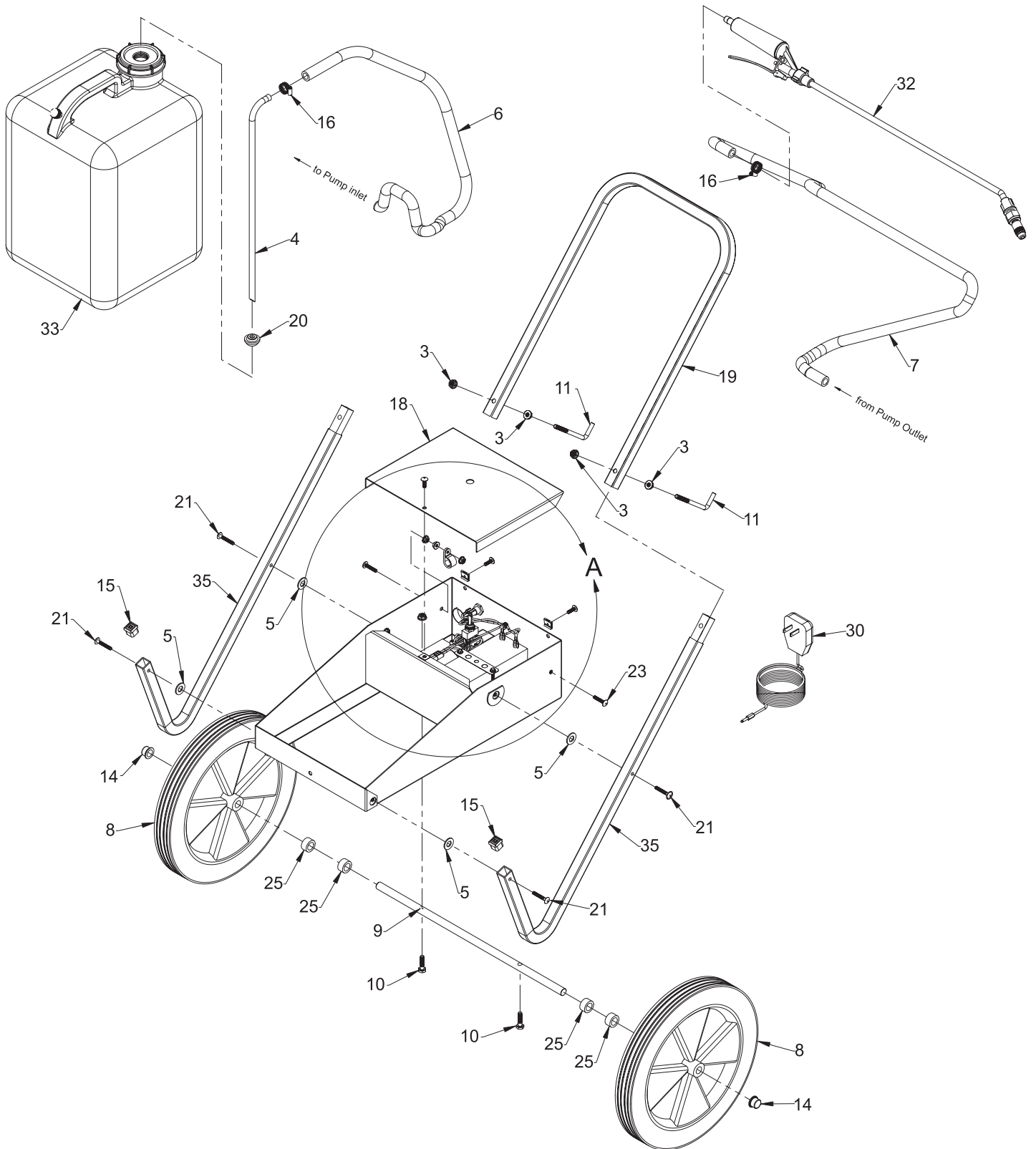
Jack & Wire Assembly #5273705 (LG-5-P & FS-5)



Plumbing Exploded View: LG-5-P

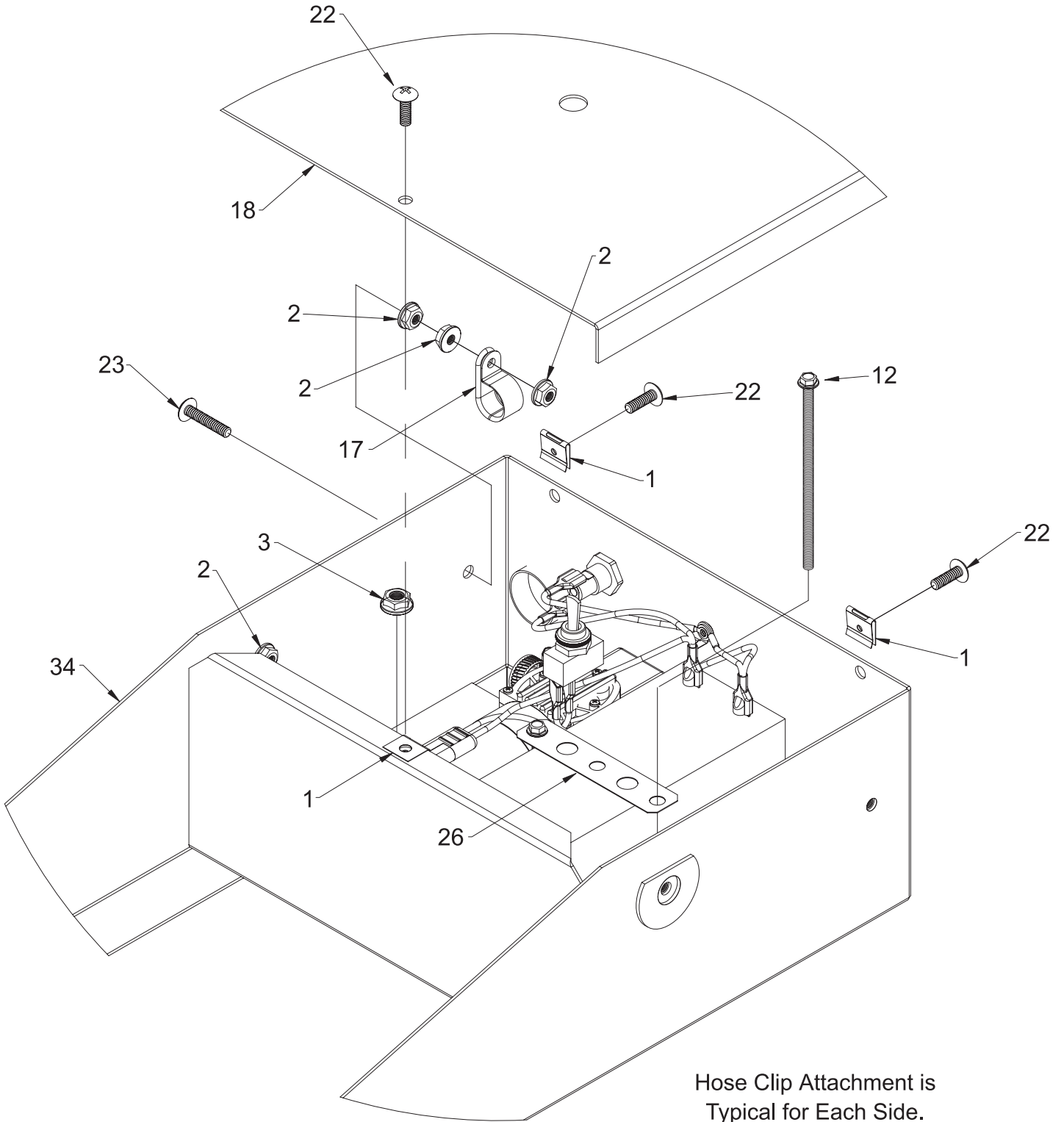


Exploded View for Model No. LG-5-P



Detail A

Hose Clip/Cover Attachment Detail



Hose Clip Attachment is
Typical for Each Side.

Repair Parts List for Model No. LG-5-P

| ITEM NO. | PART NUMBER | QTY. | DESCRIPTION |
|----------|-------------|------|--|
| 1 | 5006182 | 3 | Speed Nut |
| 2 | 5006186 | 16 | #10-24 Hex Whiz (Flange) Locknut |
| 3 | 5006306 | 6 | 1/4"-20 Hex Whiz (Flange) Locknut |
| 4 | 5009780 | 1 | 1/4" I.D. Intake Tube |
| 5 | 5016030 | 4 | Flatwasher, 3/8" |
| 6 | 5020157 | 1 | Hose, 3/8"-1 Brd. x 32" |
| 7 | 5020215 | 1 | Hose, 3/8"-1 Brd. x 15 Ft. |
| 8 | 5021035 | 2 | #5560-12M 12 x 1.75 Rib Tread Medium Duty Tire |
| 9 | 5024039 | 1 | Axle |
| 10 | 5034083 | 2 | H.H.C.S., 1/4"-20 x 1" |
| 11 | 5034127 | 2 | Hook Bolt |
| 12 | 5034559 | 2 | #10-24 x 4" Machine Screw |
| 13 | 5041105 | 2 | Snap Bushing |
| 14 | 5046023 | 2 | 1/2" Cap Push Nut, Zinc Plated |
| 15 | 5046087 | 2 | Frame CapPlug, Black, Square, 3/4" x 16 Ga. |
| 16 | 5051114 | 4 | Hose Clamp, 3/8" |
| 17 | 5051122 | 2 | 5/8" Black Nylon Loom Cable Clamp |
| 18 | 5058089 | 1 | Cover |
| 19 | 5078117 | 1 | Handle |
| 20 | 5116346 | 1 | Strainer, Suction Line (3/8" Tube) |
| 21 | 5117166 | 4 | #10-24 x 1 1/4" Phillips Truss Head Screw |
| 22 | 5117167 | 3 | #10-24 x 5/8" Phillips Truss Head Machine Screw |
| 23 | 5117168 | 2 | #10-24 x 1" Phillips Truss Head Machine Screw |
| 24 | 5117176 | 4 | #10-24 x 3/4" Phillips Truss Head Machine Screw |
| 25 | 5127118 | 4 | Wheel Spacer |
| 26 | 5133205 | 1 | Plumbers Strap, 3 1/2" |
| 27 | 5157016 | 1 | Mini Toggle Switch, Model 1700 Series |
| 28 | 5157022 | 1 | Fuse Holder Assembly |
| 29 | 5157053 | 1 | Battery |
| 30 | 5157124 | 1 | Battery Charger (LG-5-P) |
| 31 | 5157199 | 1 | 5 Amp, 250 Volt BUSS Fuse |
| 32 | 5163100 | 1 | Low Flow Handgun w/X-26 Adjustable Tip, 29 1/2" Wand |
| 33 | 5169070 | 1 | Tank, 5 Gallon |
| 34 | 5272114 | 1 | Frame Weldment |
| 35 | 5272115 | 2 | Stand Assembly |
| 36 | 5273705 | 1 | Jack & Wiring Assembly (LG-5-P) |
| 37 | 5275015 | 1 | Pump, 12 Volt, 1.0 G.P.M. |
| 38 | 5275230 | 1 | Pump & Fuse Wiring Assembly |