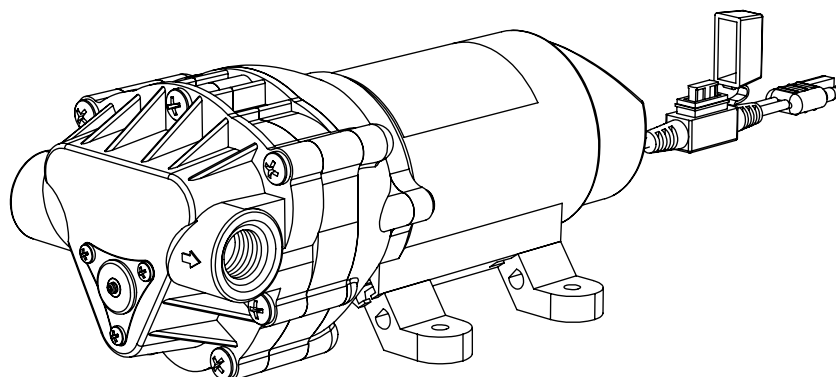


High-Flo Gold Series

12 Volt Diaphragm Pump Model: 5277995/5275814



Installation and Service Information

Fimco High-Flo Gold Series pumps are designed to pump water and aqueous solutions of common pesticides. They are not designed to pump petroleum products or other flammable materials. They are not designed to pump bleach solutions. **Use of this pump for petroleum products or bleach solutions will void the warranty.** When pumping liquids other than water, the pump should be flushed out with clean water after each use to prolong pump life.

This High-Flo Gold Series pump is equipped with an internal bypass valve with a factory set pressure limit of 60 PSI. When the system pressure hits the limit, the valve will open and circulate fluid internally to relieve excess pressure. The motor will continue to run until the pump is shut off with the manual on-off rocker switch located in the lead wire, or the pump is disconnected from the power source.

High-Flo Gold Series pumps are self-priming. Vertical prime will depend on the viscosity of the liquid and suction line size. Minimum recommended suction line size is 3/8 inch. All hose connections need to be tight or air leakage will break the prime and disrupt water flow. The installation of a 50 mesh strainer is recommended to prevent debris or other foreign material from entering the pump and causing pump failure. The pump should be mounted in a dry and adequately ventilated area. The pump can be mounted horizontally or vertically. If mounted vertically, the pump head should be down and the motor should be up. This pump has 3/8" female pipe threads at the inlet & outlet ports. Use 3/8" male pipe threaded fittings to connect to this pump. Use flexible hose or tubing to connect to the inlet and outlet ports on the pump. This minimizes stress on the pump head. Never use rigid pipe connections. Do not compress the feet. Over tightening will reduce the ability to isolate vibration & noise.

Your pump is rated at 2.1 GPM @ open flow. Actual flow rate will be determined by the plumbing that the pump is connected to.

Your pump is designed to run off of the battery of your ATV, lawn tractor, or other vehicle with a 12V system. If using a stand alone battery, use a deep cycle RV or marine battery.

The pump should be winterized before storage, by pumping a solution of RV antifreeze through it, and the entire plumbing system.

Warranty:

Your Fimco High-Flo Gold Series pump is warranted for one year from date of purchase for homeowner use, & 90 days for commercial use, against manufacturer or workmanship defects.

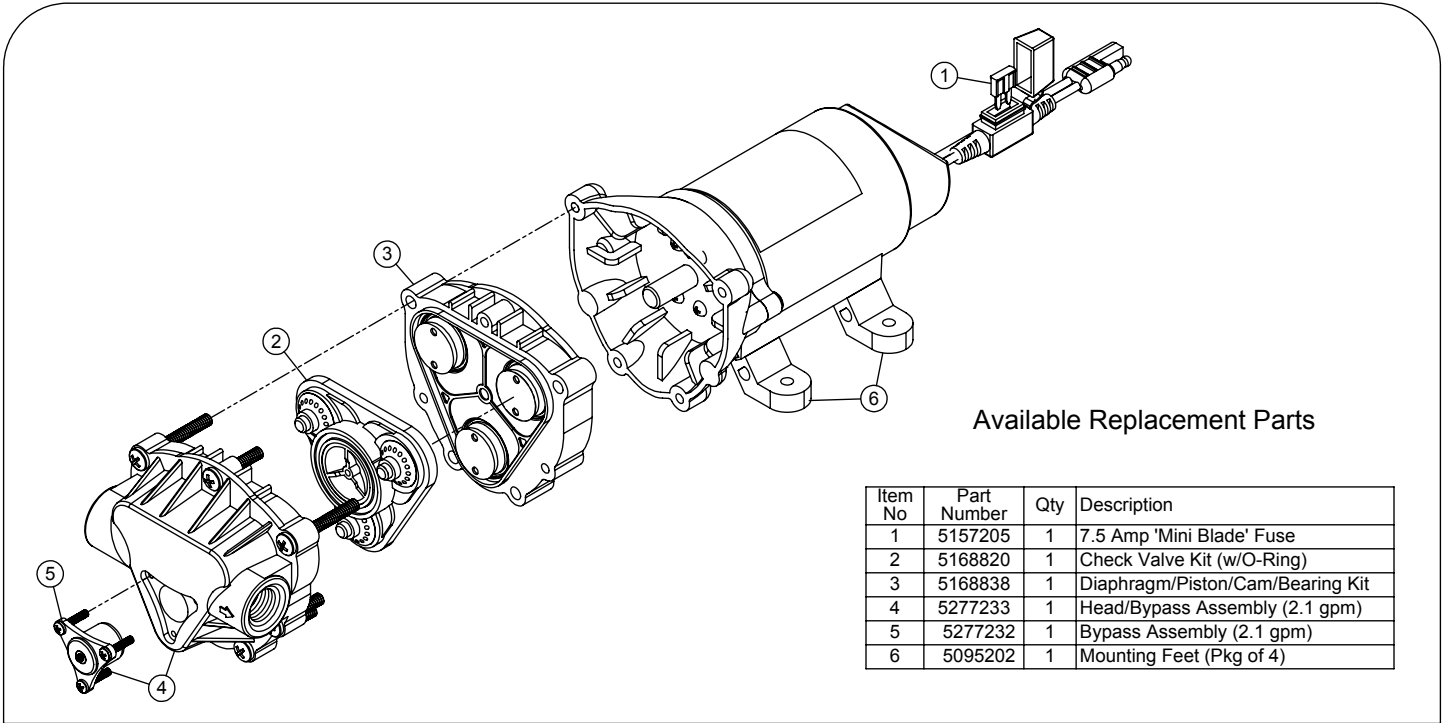
Warranty claims will be processed by Fimco Industries after the item is returned, freight prepaid, to the Fimco Industries facility. Pump must be flushed of all chemicals prior to returning to Fimco. Fimco Industries assumes no liabilities for any unwarranted equipment. Any unauthorized modifications/alterations of the returned product will void your warranty. All items must be returned within 30 days of failure. Expenses, inconveniences, loss of chemicals, or other damages that occur, are not subject to warranty consideration.



www.fimcoindustries.com

1000 FIMCO Lane, P.O. Box 1700, North Sioux City, SD 57049
Toll Free Phone: 800-831-0027 : Toll Free Fax: 800-494-0440

[Part (Form) Number: 5008372 (10/13)] Printed in the U.S.A.



Available Replacement Parts

Item No	Part Number	Qty	Description
1	5157205	1	7.5 Amp 'Mini Blade' Fuse
2	5168820	1	Check Valve Kit (w/O-Ring)
3	5168838	1	Diaphragm/Piston/Cam/Bearing Kit
4	5277233	1	Head/Bypass Assembly (2.1 gpm)
5	5277232	1	Bypass Assembly (2.1 gpm)
6	5095202	1	Mounting Feet (Pkg of 4)

Troubleshooting the Pump:

Motor does not run:

- Check for loose wiring connection(s).
- Make sure the 'ON/OFF' switch in the lead wire assembly is in the 'ON' position. "I" is the 'ON' position and 'O' is the 'OFF' position.
- Check the fuse.
- Check for low voltage at the power supply.

Pump does not prime:

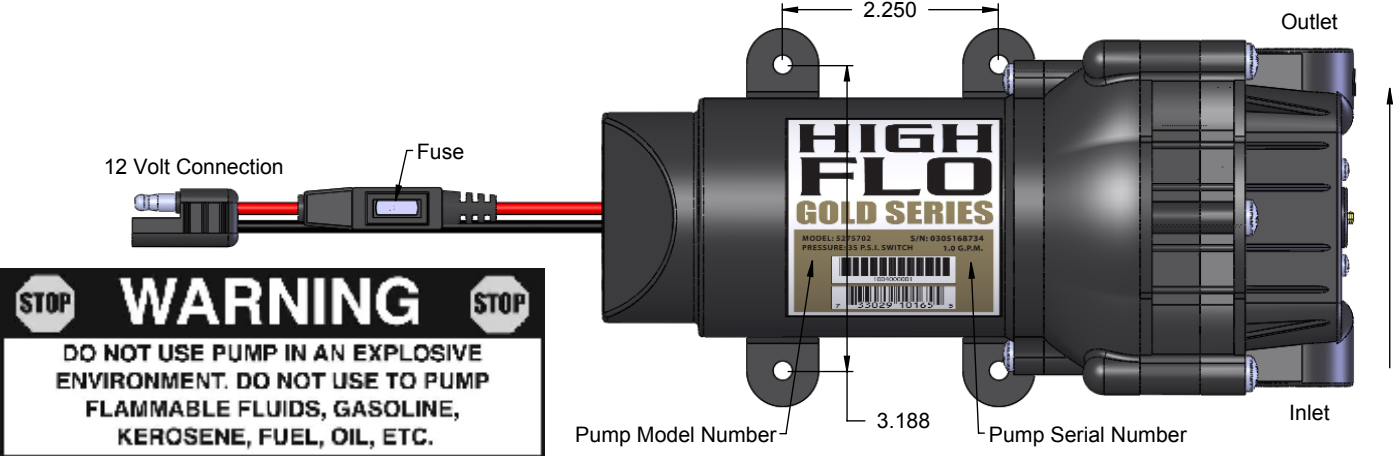
- Check for air leaks in supply line.
- Check for debris in the check valve assembly.
- Check for defective check valve.
- Check for clogged strainer/filter.
- Check for cracks in the pump housing.
- Check for empty product supply.

Low Flow and Pressure:

- Check for leaks in the discharge line.
- Check for restriction in the discharge line.
- Check for debris in nozzle orifice.
- Discharge hose may be too long.
- Check for clogged strainer.

Pump Specifications	
Flow Rate:	2.1 GPM @ Open Flow
Current:	4.5 Amps @ 30 PSI
Check Valve:	Viton
Port Type:	3/8" FPT
Motor Voltage:	12 Volts DC
Wetted Parts Housing:	Polypropylene
Diaphragm:	Santoprene
Liquid Temperature:	130° F max.

GPM = Gallons Per Minute
 PSI = Pounds per Square Inch
 DC = Direct Current
 FPT = Female Pipe Thread



STOP WARNING STOP
 DO NOT USE PUMP IN AN EXPLOSIVE ENVIRONMENT. DO NOT USE TO PUMP FLAMMABLE FLUIDS, GASOLINE, KEROSENE, FUEL, OIL, ETC.