

HYPRO ENGINES



Mfg. Part #	Fimco Part#	HP	Price
2541-0043	5152101	5.5 H.P.	\$448.00
2541-0041	5152105	6.5 H.P.	\$495.00

HONDA REPLACEMENT ENGINES

Mfg. Part #	Fimco Part#	HP	Starter	Crankshaft Size	Oil Alert	Price
GX160K1HX2	5152080	5.5 H.P.	Rewind	Gear Reduction	Yes	CALL FOR PRICING
**GX160K1QX2	5152058	5.5 H.P.	Rewind	3/4" Keyway	Yes	
GX160K1TX2	5152086	5.5 H.P.	Rewind	5/8" Threaded	Yes	
**GX240K1QA2	5152089	8 H.P.	Rewind	1" Keyway	Yes	
GX240K1QAE2	5152090	8 H.P.	Electric & Rewind	1" Keyway	Yes	
GX240K1HA2	5152091	8 H.P.	Rewind	Gear Reduction	Yes	
**GX620K1QAFI	5152098	20 H.P.	Electric	1" Keyway	Yes	

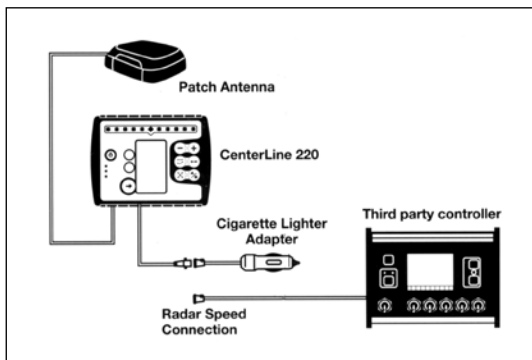
** Banjo Replacement Pump Engines
 ** 20 H.P. Engine Does Include The Gas Tank or Exhaust System

CenterLine™ 220

Compact Guidance for any Application

Don't let the compact size of the Centerline 220 fool you. This complete guidance system is designed to let you take advantage of GPS lightbar guidance for any field operation. Inside the conveniently sized guidance system is a high-quality GPS receiver and the guidance capabilities that make Mid-Tech leaders in lightbar guidance.

- Versatile GPS guidance in a compact, portable package
- Traditional lightbar guidance plus a graphical display provide complete guidance information
- High-quality internal GPS engine with external antenna
- Simple setup gets you up and running in no time
- Straight-line (parallel) and curved AB guidance modes
- Return to point feature
- Durable, sealed rubber keypad is easy to see and provides good tactile feedback for the operator
- Provides RADAR-like speed signal for use with other control systems that require a speed signal



Part #	Description	Cost
90-02399	CenterLine 220 Kit	\$2,151.10

59.5

Set Swath Width Screen

5.8 MPH

View Page Curved AB

5.8 MPH

View Page Straight AB

15.8 Ft

View Page Return to Point

REPLACEMENT ENGINES

TEEJET SPRAYER CONTROLS

744A SPRAYER CONTROL KITS

Features:

- Manual spray controller in a compact package
- Choice of liquid filled 100 PSI (7 bar) or 300 PSI (20 bar) gauge.
- Lighted pressure gauge for night use
- Heavy-duty switches with LED indicators
- Available in a variety of kit forms using solenoid or ball type control valves
- DirectoValve shutoff ball valves are ordered separately



144A-3 Solenoid
Shutoff Valves

HOW TO ORDER

744A - 100 - L - 3
 Controller Model Gauge Scale Gauge Type Boom Sections
 744A 100 PSI/7bar L (Liquid) 1,3 or 5
 300 PSI/21 bar

Mfg. Model No.	Fimco Code No.	Control Kit Number	Description	List Price
90-50161	5273404	AAK744A-100L-30S	744A-100L-3 Sprayer Control Unit (Liquid Valve) 244C-3/4 Pressure Reg. Valve	\$492.31
90-50163	5275144	AAK744A-100L-33S	744A-100L-3 Sprayer Control Unit (Liquid Valve) 244C-3/4 Pressure Reg. Valve 144A DirectoValve Boom Section Valves	\$791.92
90-50149	5273446	744A-100L-3	744A-100L-3 Sprayer Control Unit	\$417.46

244 - 3/4 REMOTE CONTROL ELECTRIC REGULATING VALVE

Mfg. Model No.	Fimco Code No.	Description	List Price
AA244C-3/4	5273448	Remote Control Electric - Regulating Value	\$152.14



The 244C-3/4 butterfly valve provides remote pressure control. Features two-wire lead for use in 12VDC system, reduced pressure loss (5 psi for 45 G.P.M. flow), and maximum operating pressure of 100 P.S.I. 3/4" NPT (F) connections. Two gallon per minute by-pass at 10 P.S.I. and four gallon per minute by-pass at 40 P.S.I. when the valve is fully closed. Low current draw (0.15 amp).